

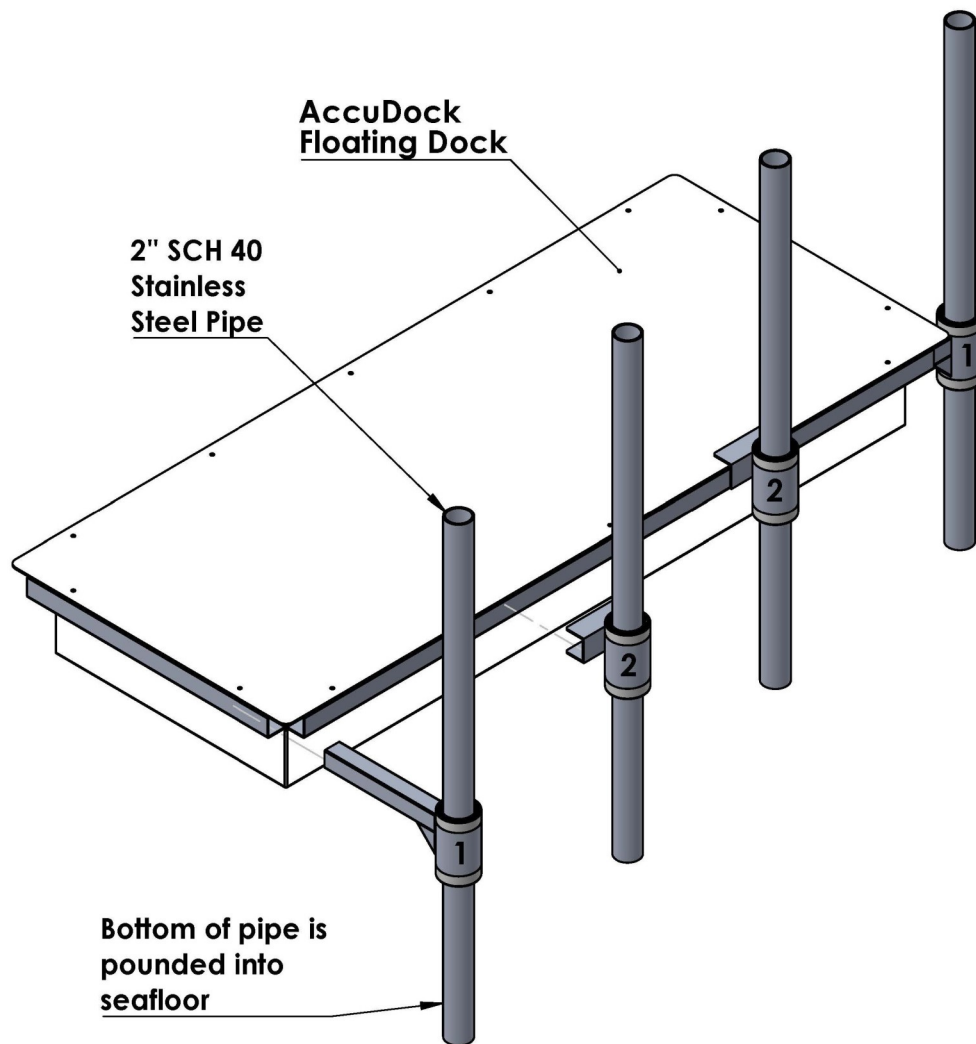


ATTACHMENT METHOD

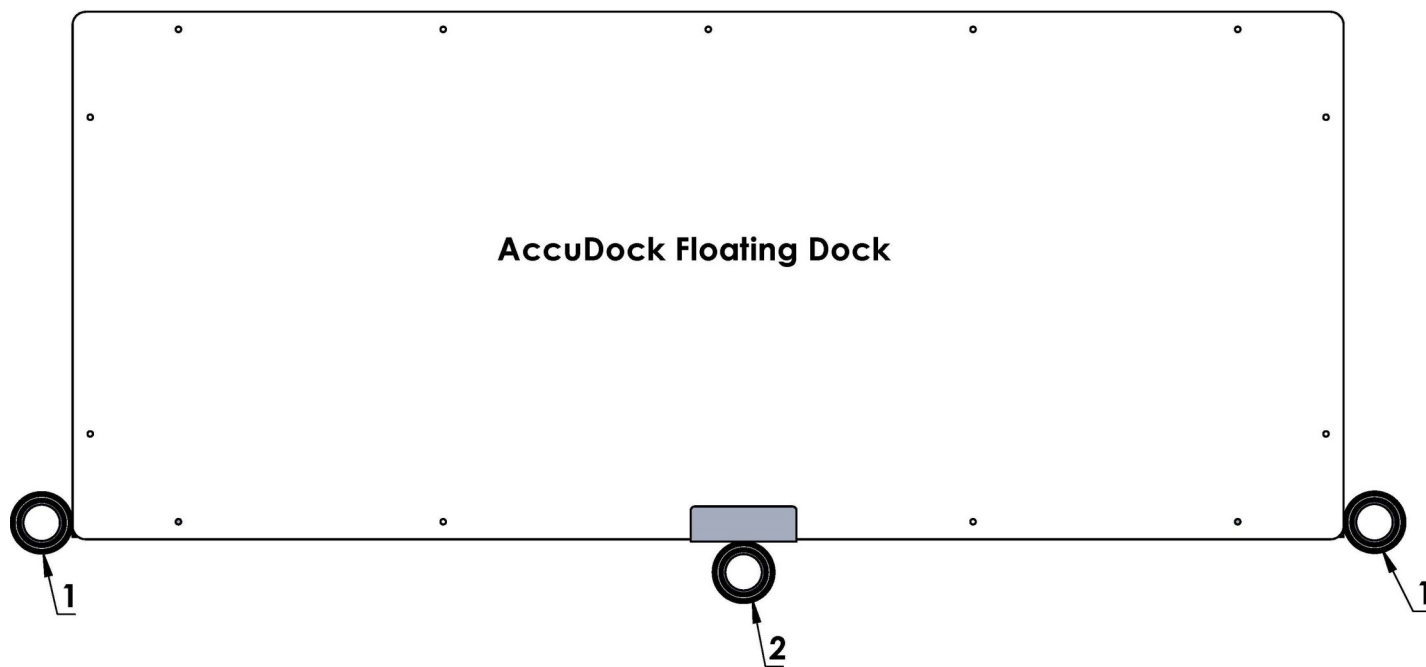


3" SPUD POLE BRACKETS

3" Spud Pole Brackets are a form of attachment method for floating docks in which 2" Schedule 40 Stainless Steel Pipe is pounded into the sea floor. 3" Spud Pole Brackets gets bolted onto the side of the float and are able to slide up and down the stainless steel pipe allowing the floating dock to move with the water level.

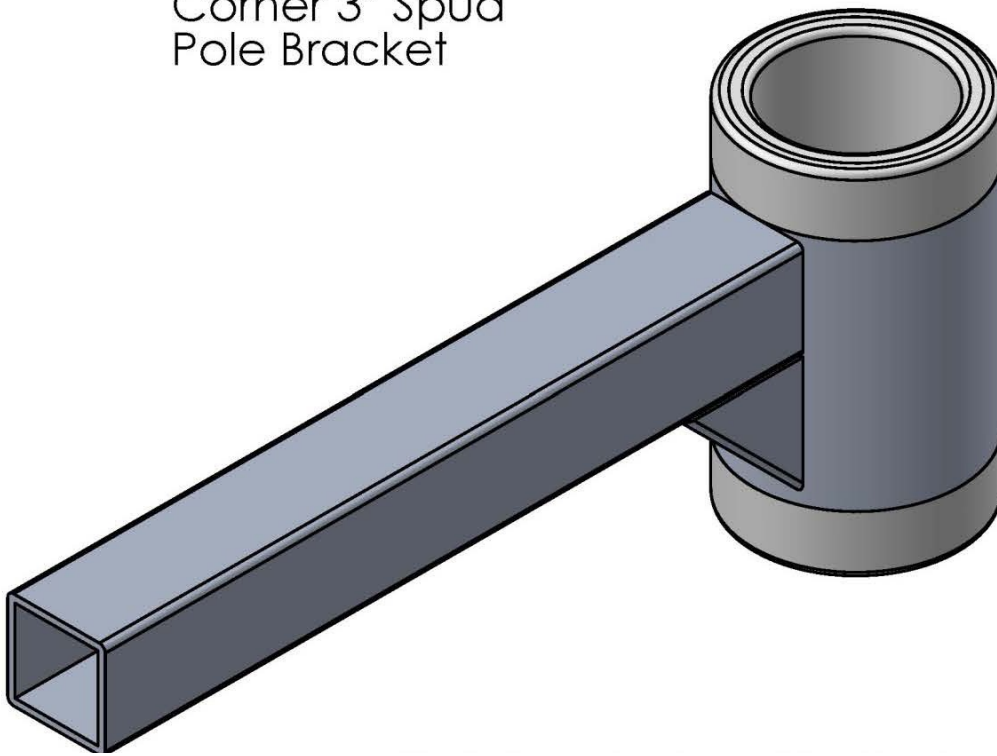


Plan View

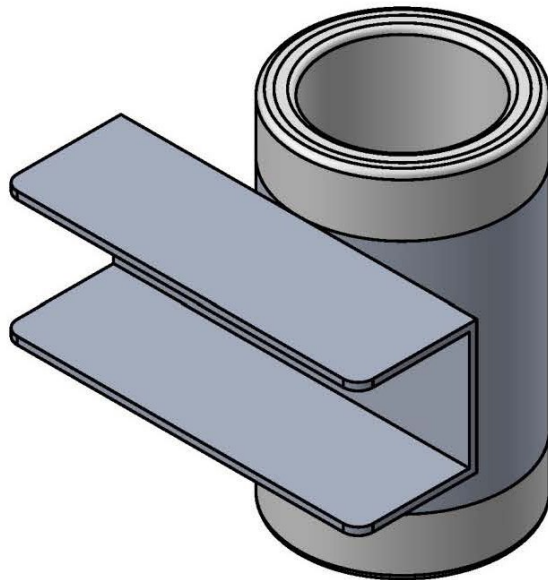


FOR QUESTIONS CALL 954.785.7557 OR
EMAIL INFO@ACCUDOCK.COM

Label 1
Corner 3" Spud
Pole Bracket



Label 2
Side 3" Spud
Pole Bracket



FOR QUESTIONS CALL 954.785.7557 OR
EMAIL INFO@ACCUDOCK.COM



FOR MORE INFORMATION CALL 954.785.7557 OR
EMAIL SALES@ACCUDOCK.COM
WWW.ACCUDOCK.COM