



ACCESSORY INSTALL INSTRUCTIONS

PAGE DIRECTORY

8" CLEAT	1-8
8" CLEAT TO DECKED DOCK	9-16
ALUMINUM S CLEAT	17-24
BUMPSTRIP TO ALUMINUM FLOATING DOCK	25-30
DOCK LADDER TO FIXED DOCK	31-38
DOCK LADDER TO A SEAWALL	39-46
FIBERGLASS STAIRS	47-54
FIBERGLASS STAIRS TO DECKED DOCK	55-62
FIBERGLASS STAIRS TO ALUMINUM FLOATING DOCK	63-70
OVERHEAD ASSIST BAR	71-76
OVERHEAD ASSIST BAR TO DECKED DOCK	77-82
OVERHEAD ASSIST BAR TO ALUMINUM FLOATING DOCK	83-90

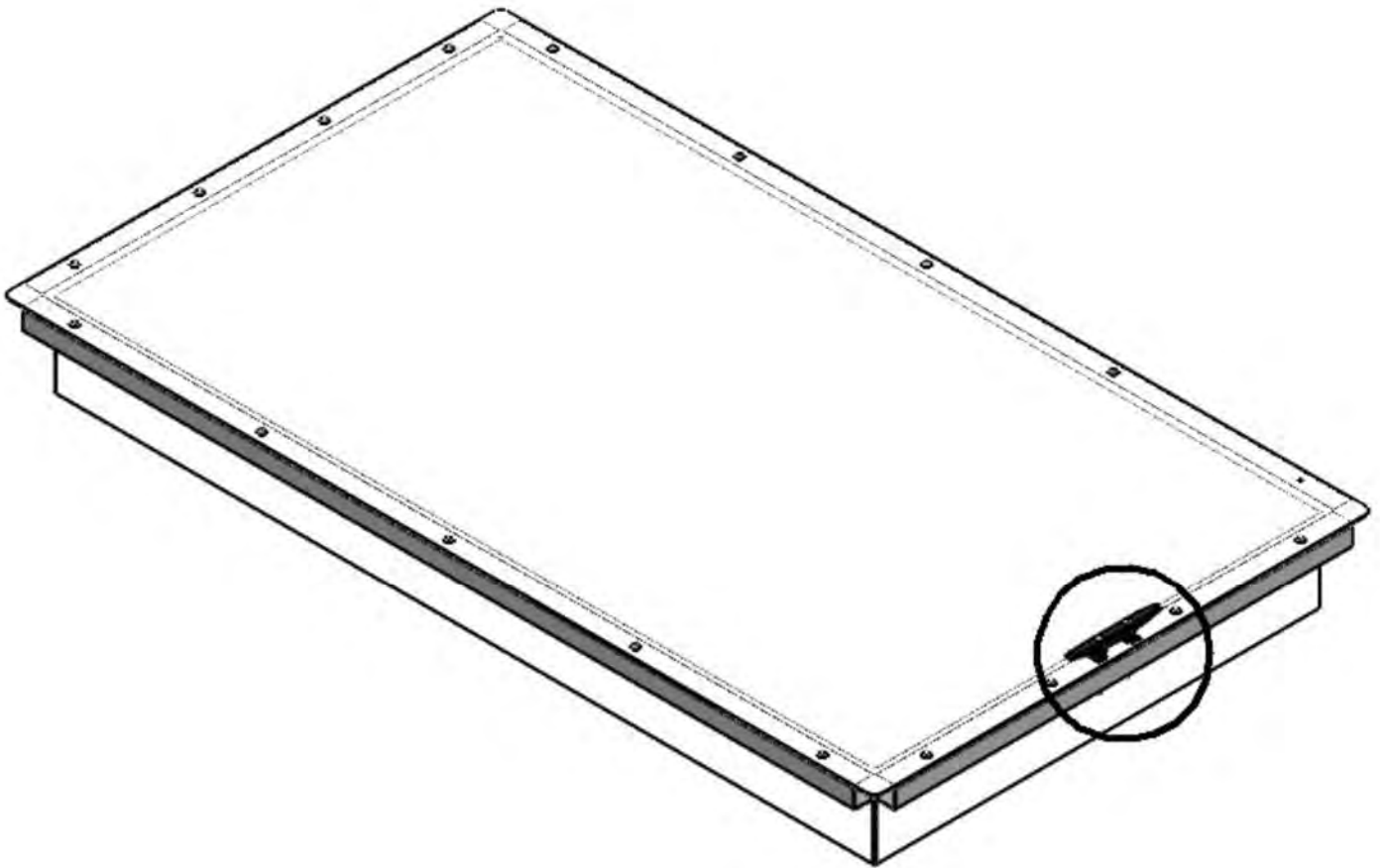


ACCESSORY INSTALL INSTRUCTIONS PAGE DIRECTORY CONT.

PADDLE SPORT STORAGE RACK	91-98
PADDLE SPORT STORAGE RACK TO DECKED DOCK	99-106
PADDLE SPORT STORAGE RACK TO ALUMINUM FLOATING DOCK	107-114
DOUBLE SIDED PADDLE SPORT STORAGE RACK	115-122
DOUBLE SIDED PADDLE SPORT STORAGE RACK TO DECKED DOCK	123-130
DOUBLE SIDED PADDLE SPORT STORAGE RACK TO ALUMINUM FLOATING DOCK	131-138
PADDLEBOARD RAILING	139-144
PADDLEBOARD RAILING TO DECKED DOCK	145-150
PADDLEBOARD RAILING TO ALUMINUM FLOATING DOCK	151-158
SIDE ASSIST RAILING	159-164
SIDE ASSIST RAILING TO DECKED DOCK	165-170
SIDE ASSIST RAILING TO ALUMINUM FLOATING DOCK	171-178
SAFE LAUNCH	179-186
SAFE LAUNCH TO DECKED DOCK	187-192
SAFE LAUNCH TO ALUMINUM FLOATING DOCK	193-198



INSTALLATION INSTRUCTIONS



8" Cleat





BEFORE INSTALLATION

Thank you for your purchase with AccuDock. Our products have been constructed for durability and designed for easy installation. Please take the time to read these instructions carefully before installing your accessory.

Check your package carefully to ensure you have all parts and hardware listed below. Should you be missing any of the hardware please contact us.

PARTS LIST

While unpacking, please be sure to not discard any of the parts. Set them aside on a flat surface and ensure all parts are present prior to installation.

Part	Qty	
8" Cleat (ACC-C08)	1	
5/16"-18 x 4-1/2" Carriage Bolt	2	
5/16" Lock Washer	2	
5/16"-18 Hex Nut	2	

TOOLS NEEDED

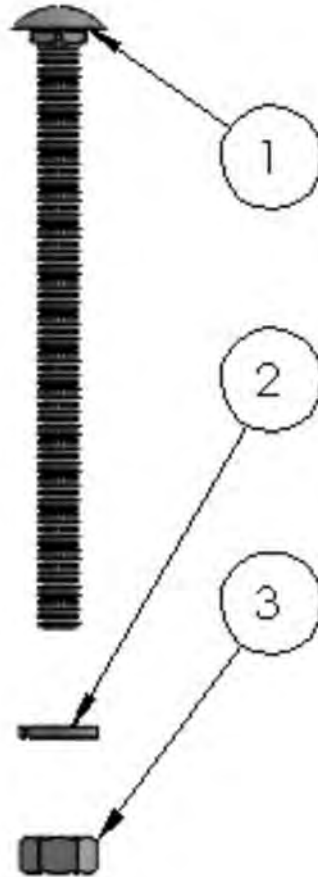
Cordless Drill with 5/16" drill bit

Hammer/Mallet

1/2" Wrench (2)

Allen Wrench

HARDWARE LIST

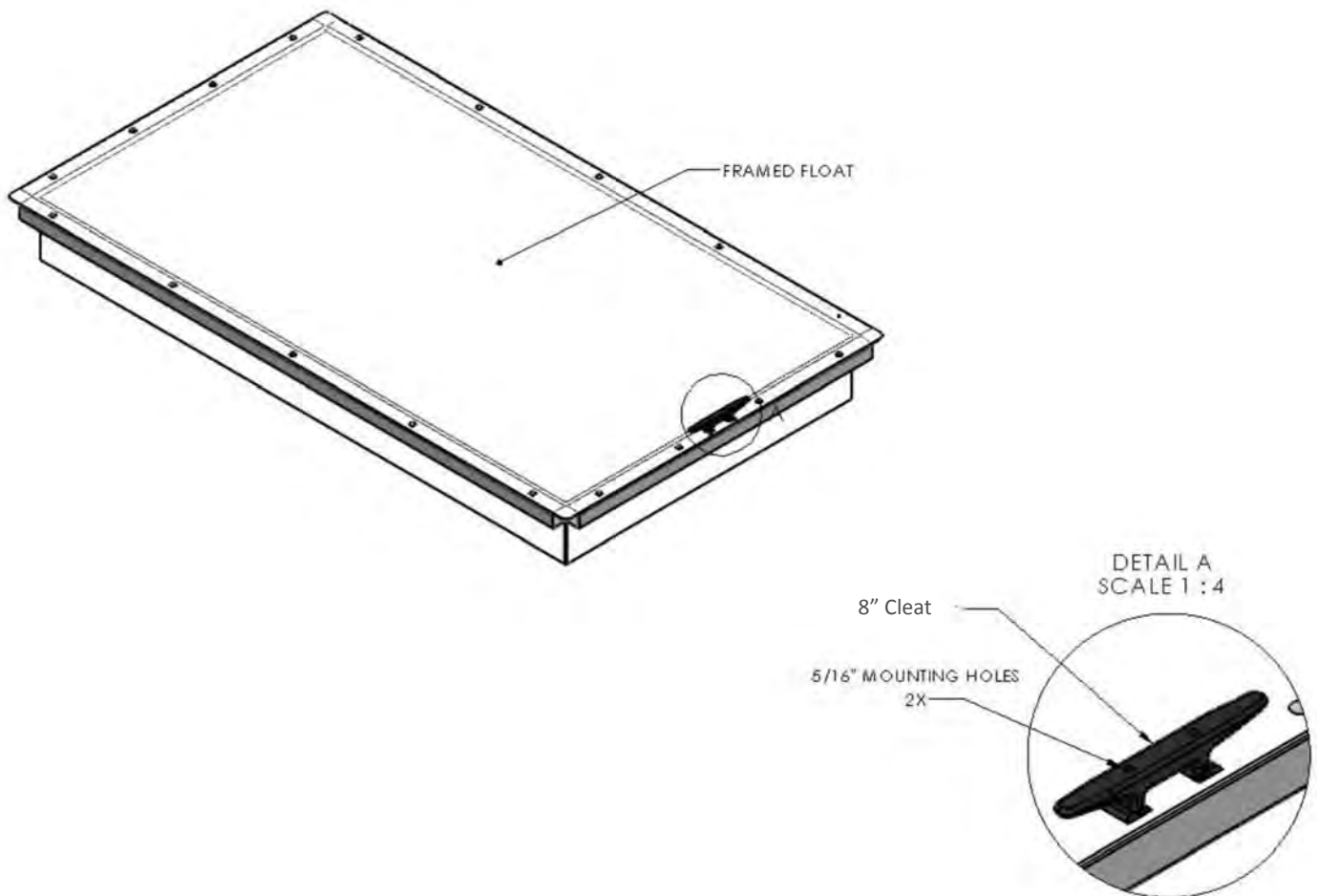


Label	Description
1	5/16"-18 x 4-1/2" Carriage Bolt
2	5/16" Lock Washer
3	5/16"-18 Hex Nut

STEP ONE

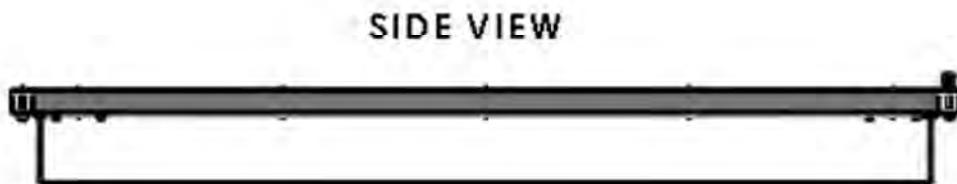
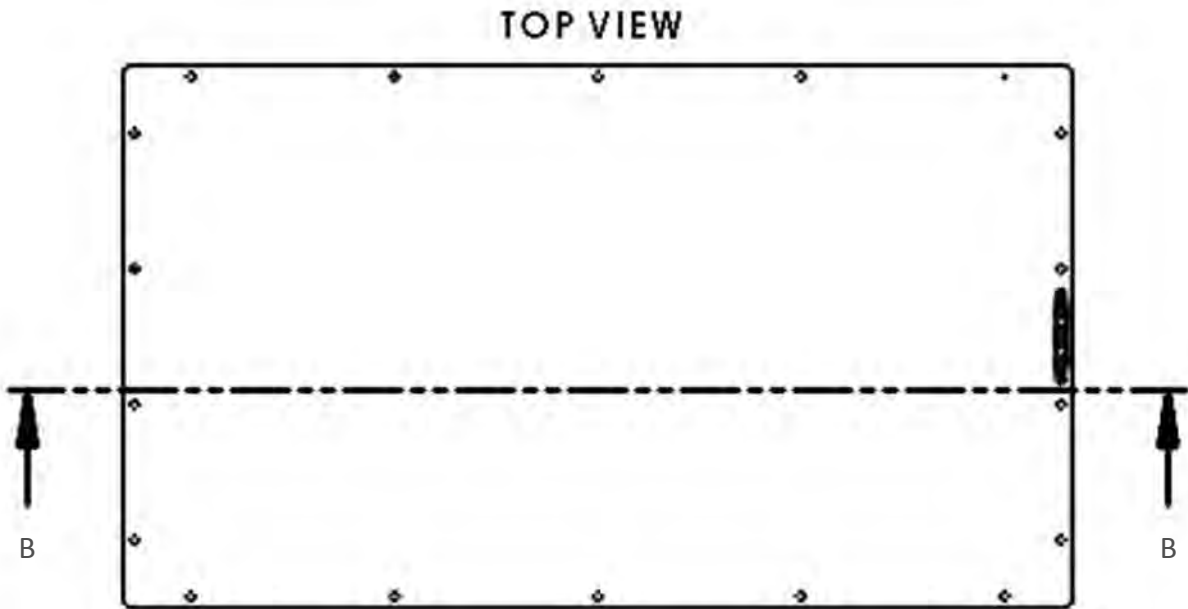
First determine the position for the 8" Cleat. The 8" Cleat will be bolted to the aluminum float frame using 5/16" hardware. The holes will have to be drilled through the float's lid, and aluminum float frame. See Detail A.

Note: 8" Cleat location varies according to customer needs/requirements.



STEP TWO

Ensure that the 8" cleat sit approximately $\frac{3}{8}$ " from the edge of the float's aluminum frame, as shown in the illustration. See Detail B.

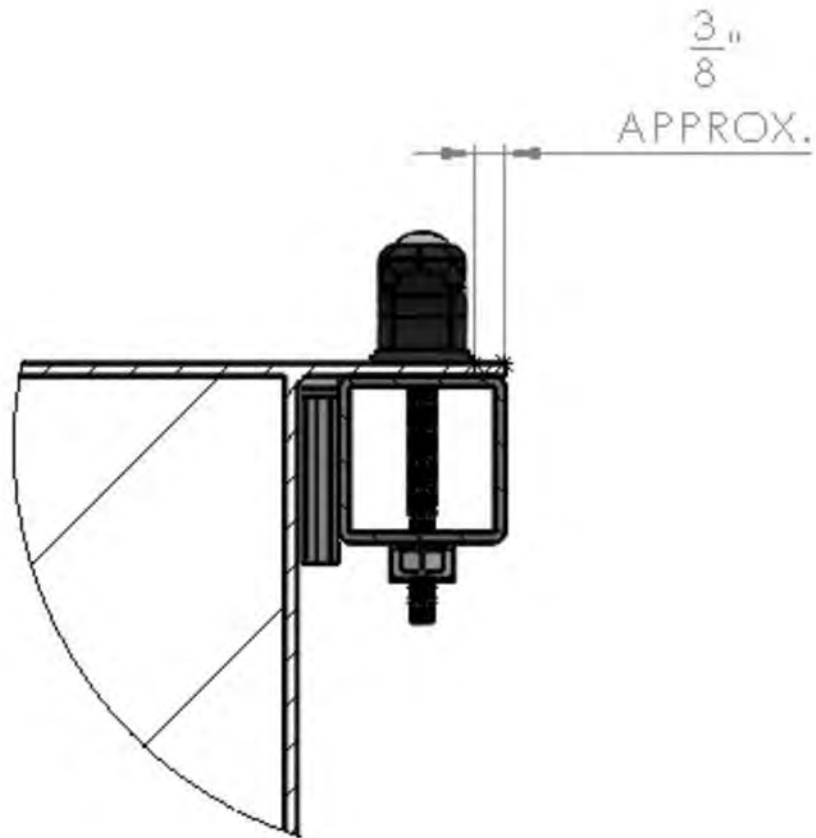


STEP THREE

Next, using a drill with a 5/16" drill bit, drill through the existing holes on the 8" Cleat. Drill thru all of the holes, beginning with the float's lid and ending with the aluminum float frame. Make sure that the holes do not interfere with any existing hardware. See Detail C.

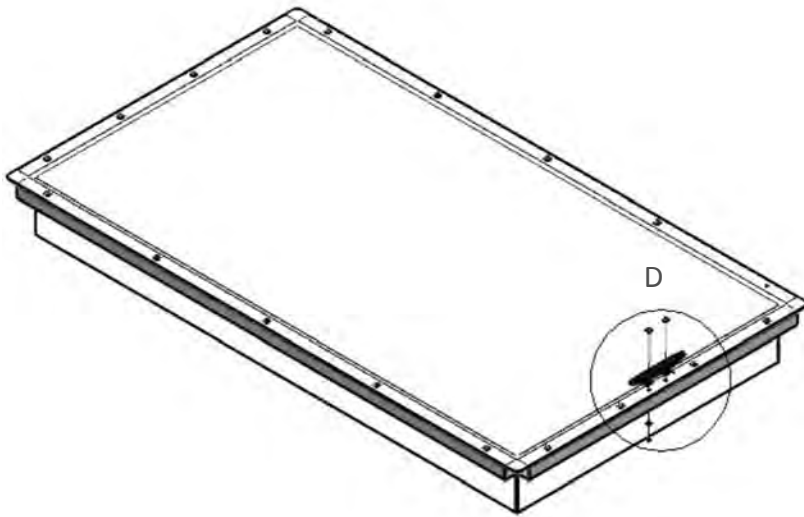


SECTION C-C
SCALE 1 : 20

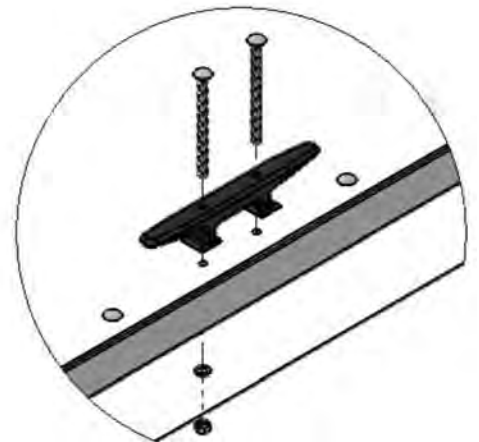


STEP FOUR

After drilling the two mounting holes, insert the 5/16" carriage bolts from the top. Insert lock washers, and hex nuts from the bottom. Lastly, fasten the 8" Cleat to the framed float. See Detail D.



DETAIL D
SCALE 1 : 5

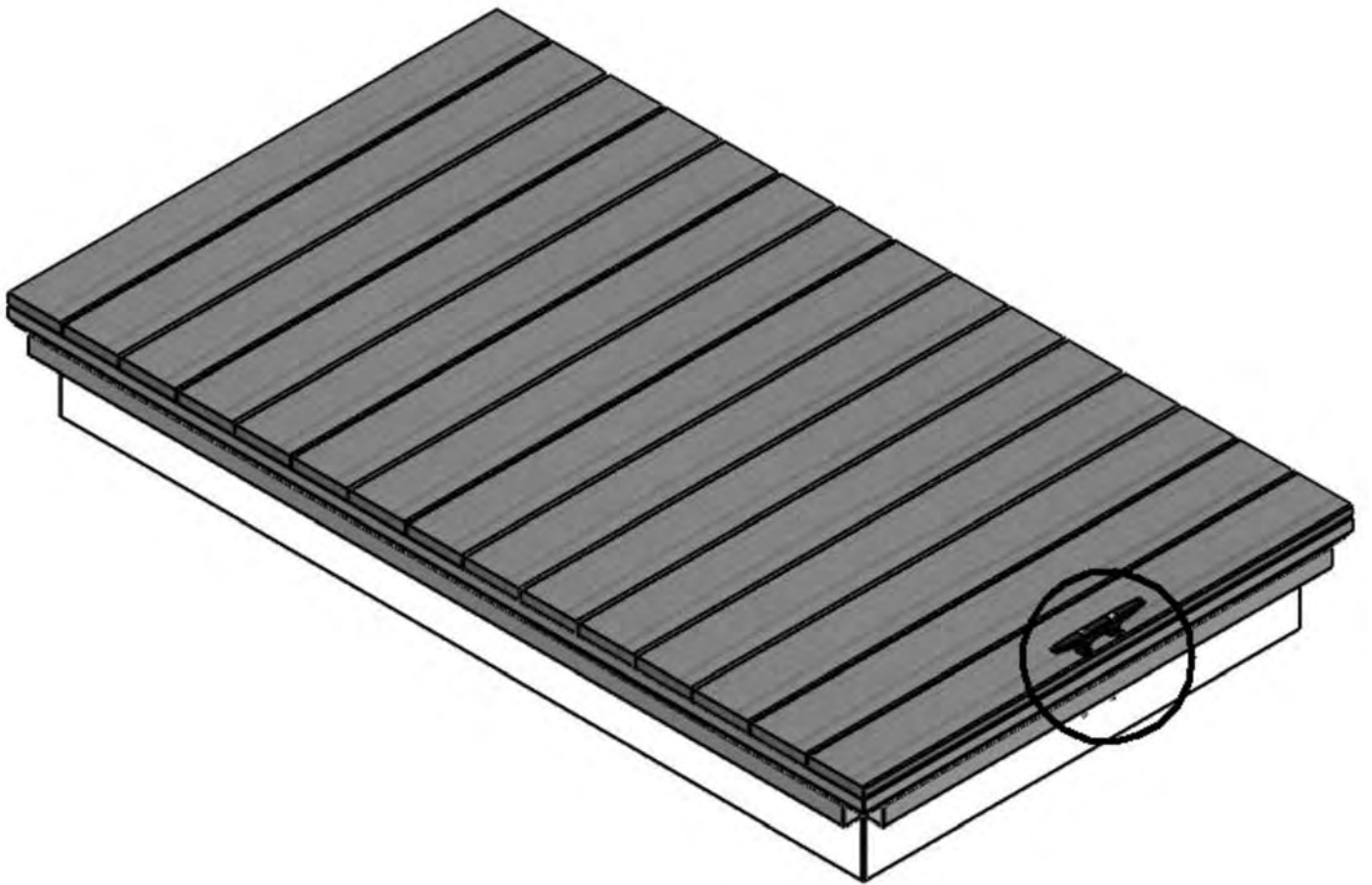




FOR MORE INFORMATION CALL 954.785.7557 OR
EMAIL SALES@ACCUDOCK.COM



INSTALLATION INSTRUCTIONS



8" Cleat to Decked Dock





BEFORE INSTALLATION

Thank you for your purchase with AccuDock. Our products have been constructed for durability and designed for easy installation. Please take the time to read these instructions carefully before installing your accessory.

Check your package carefully to ensure you have all parts and hardware listed below. Should you be missing any of the hardware please contact us.

PARTS LIST

While unpacking, please be sure to not discard any of the parts. Set them aside on a flat surface and ensure all parts are present prior to installation.

Part	Qty	
8" Cleat (ACC-C08)	1	
5/16"-18 x 7" Carriage Bolt	2	
5/16" Lock Washer	2	
5/16"-18 Hex Nut	2	

TOOLS NEEDED

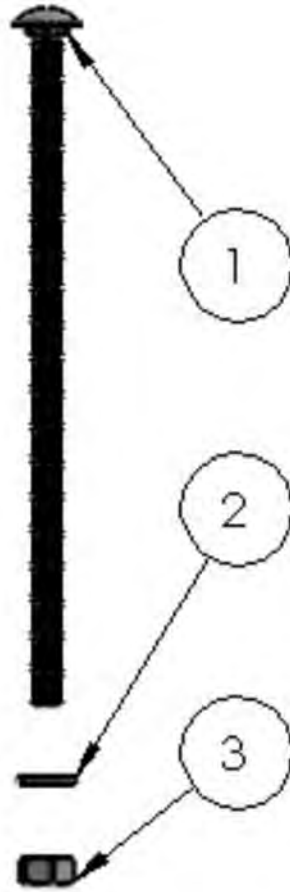
Cordless Drill with 5/16" drill bit

Hammer/Mallet

1/2" Wrench (2)

Allen Wrench

HARDWARE LIST

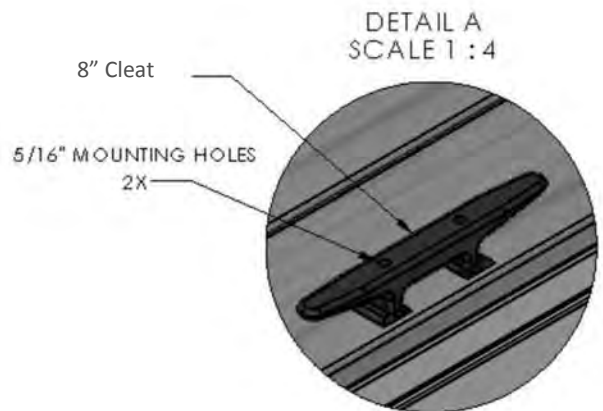
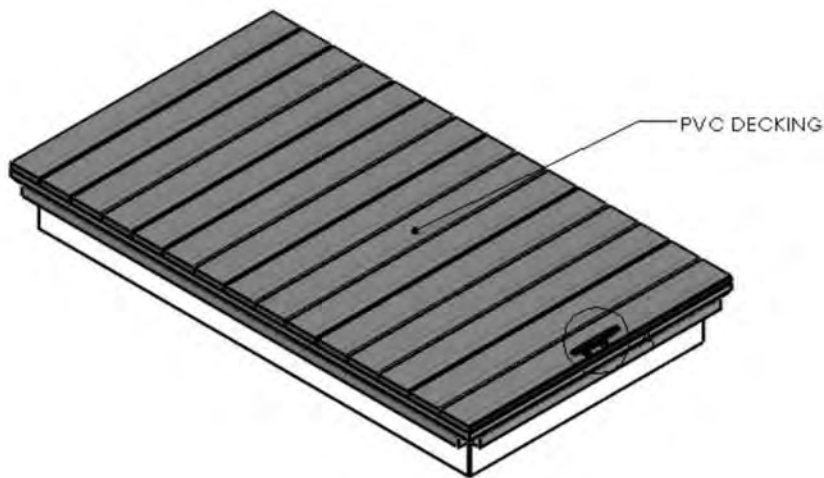


Label	Description
1	5/16"-18 x 7" Carriage Bolt
2	5/16" Lock Washer
3	5/16"-18 Hex Nut

STEP ONE

First determine the position for the 8" Cleat. The 8" Cleat will be bolted to the aluminum float frame using 5/16" hardware. The holes will have to be drilled through the PVC decking, deck frame, float's lid, and aluminum float frame. See Detail A.

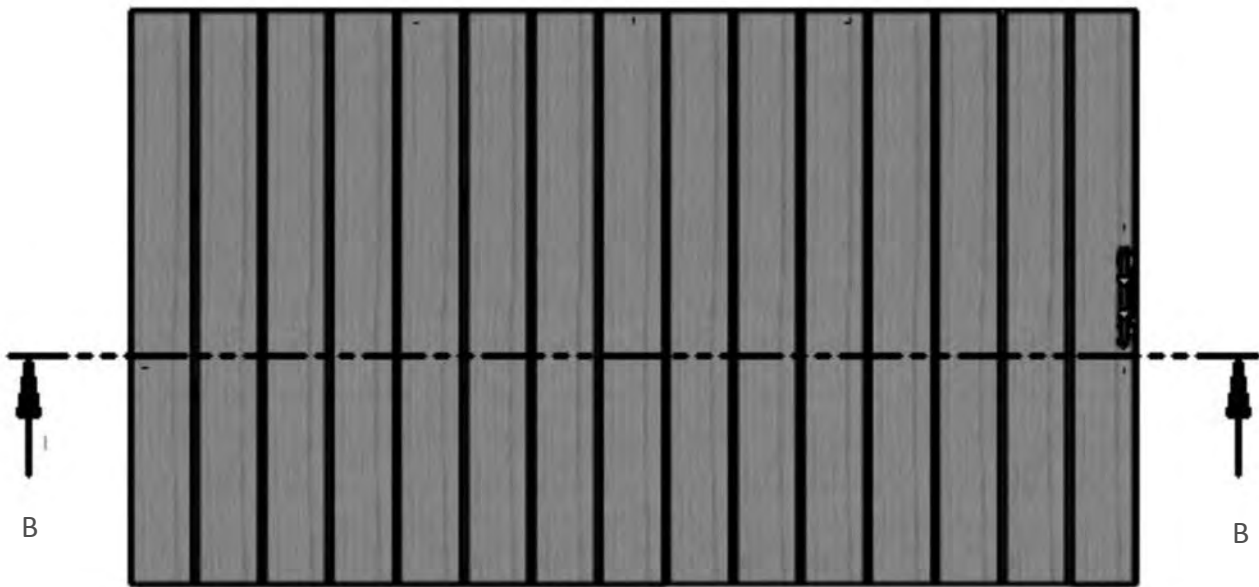
Note: 8" Cleat location varies according to customer needs/requirements.



STEP TWO

Ensure that the 8" cleat sit approximately $\frac{3}{8}$ " from the edge of the decking and the float's aluminum frame, as shown in the illustration. See Detail B.

TOP VIEW



SIDE VIEW

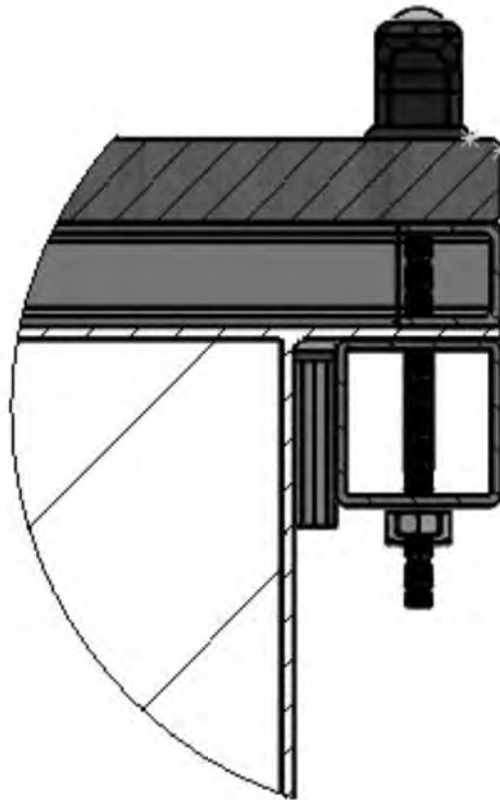


STEP THREE

Next, using a drill with a 5/16" drill bit, drill through the existing holes on the 8" Cleat. Drill thru all of the holes, beginning with the PVC decking and ending with the float's aluminum frame. Make sure that the holes do not interfere with any existing hardware. See Detail C.

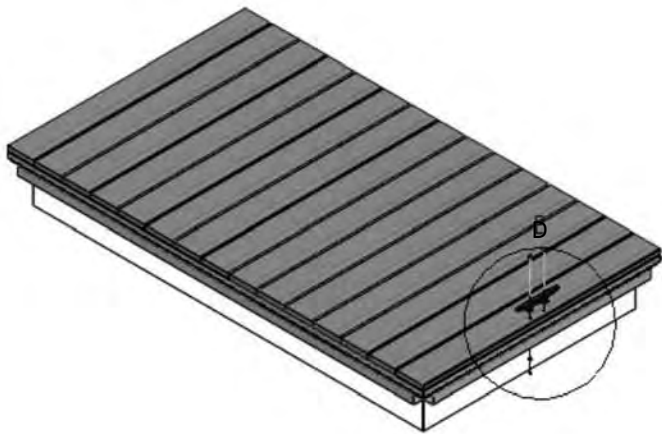


SECTION C-C
SCALE 1 : 20

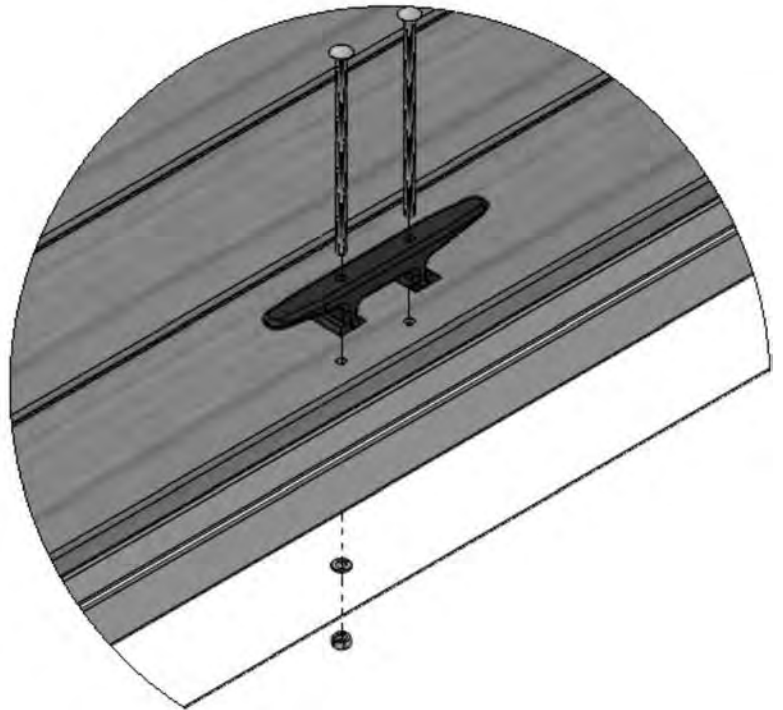


STEP FOUR

After drilling the two mounting holes, insert the 5/16" carriage bolts from the top. Insert lock washers, and hex nuts from the bottom. Lastly, fasten the 8" Cleat to the framed float. See Detail D.



DETAIL D
SCALE 1:5

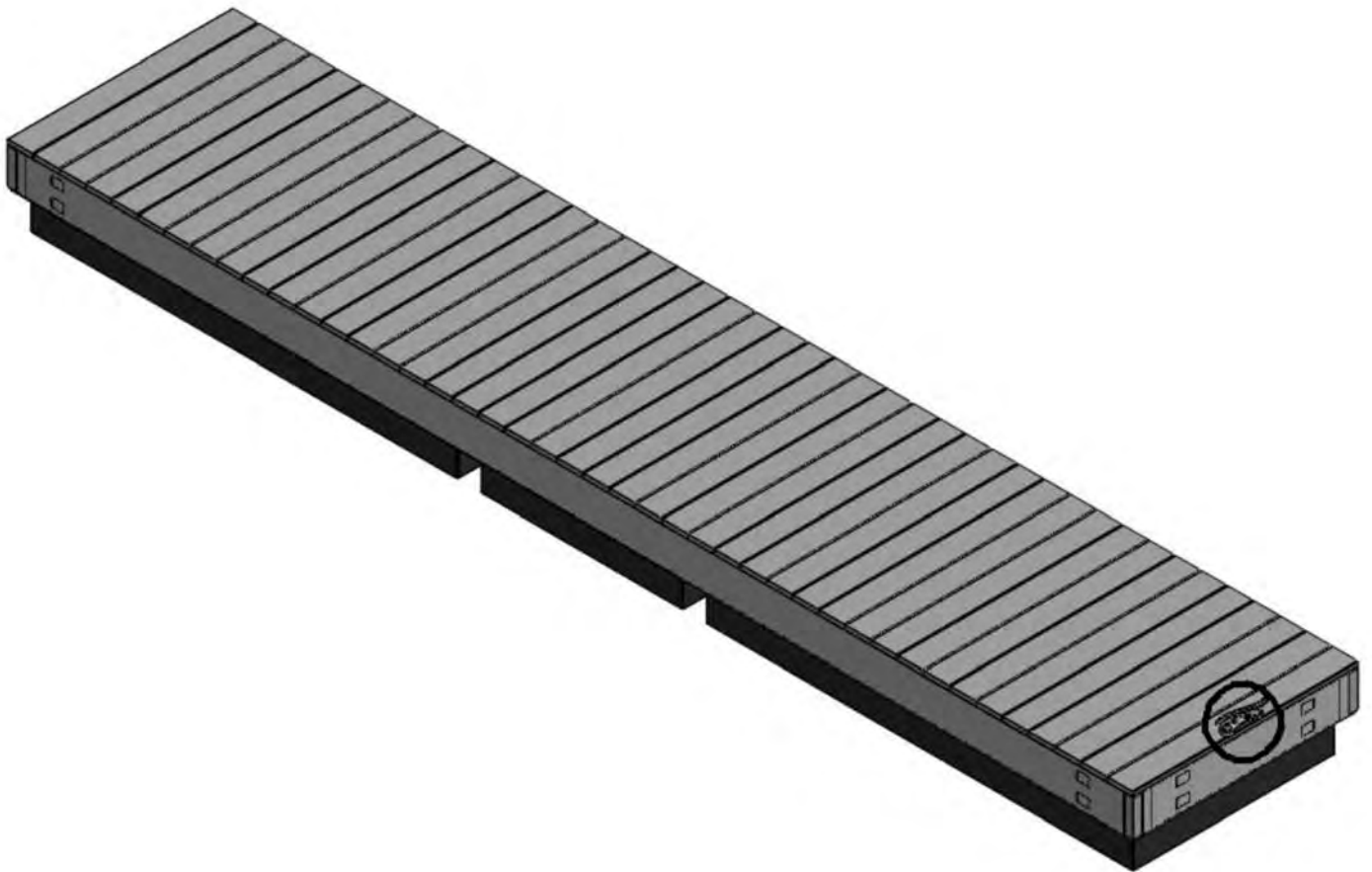




FOR MORE INFORMATION CALL 954.785.7557 OR
EMAIL SALES@ACCUDOCK.COM



INSTALLATION INSTRUCTIONS



Aluminum S Cleat






BEFORE INSTALLATION

Thank you for your purchase with AccuDock. Our products have been constructed for durability and designed for easy installation. Please take the time to read these instructions carefully before installing your accessory.

Check your package carefully to ensure you have all parts and hardware listed below. Should you be missing any of the hardware please contact us.

PARTS LIST

While unpacking, please be sure to not discard any of the parts. Set them aside on a flat surface and ensure all parts are present prior to installation.

Part	Qty	
Aluminum S Cleat (ACC-CHD)	1	
1/2"-13 x 2- " Hex Bolt	2	
1/2"	4	
1/2" Lock Washer	2	
1/2"-13 Hex Nut	2	

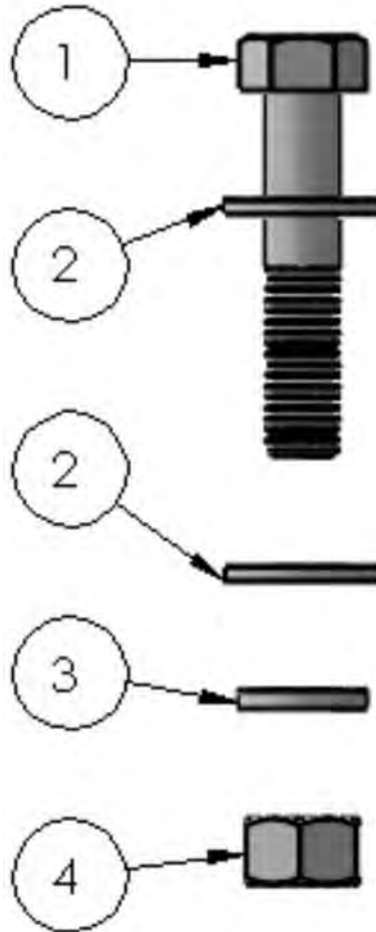
TOOLS NEEDED

Cordless Drill with 1/2" drill bit

Hammer/Mallet

3/4" Wrench (2)

HARDWARE LIST

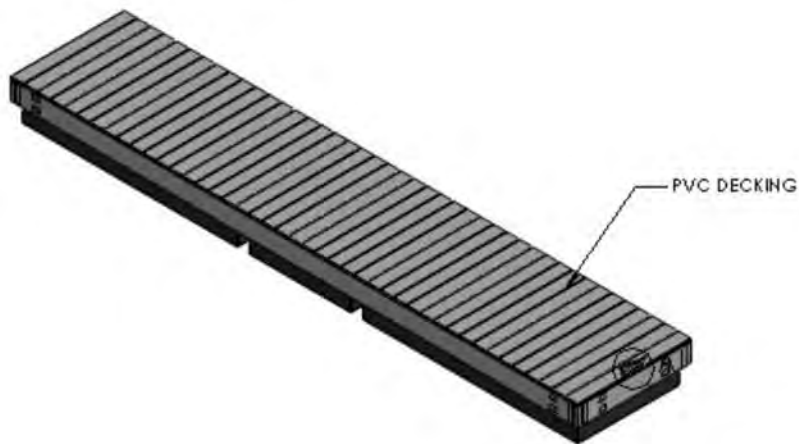


Label	Description
1	1/2"-13 x 2- " Hex Bolt
2	1/2"
3	1/2" Lock Washer
4	1/2"-13 Hex Nut

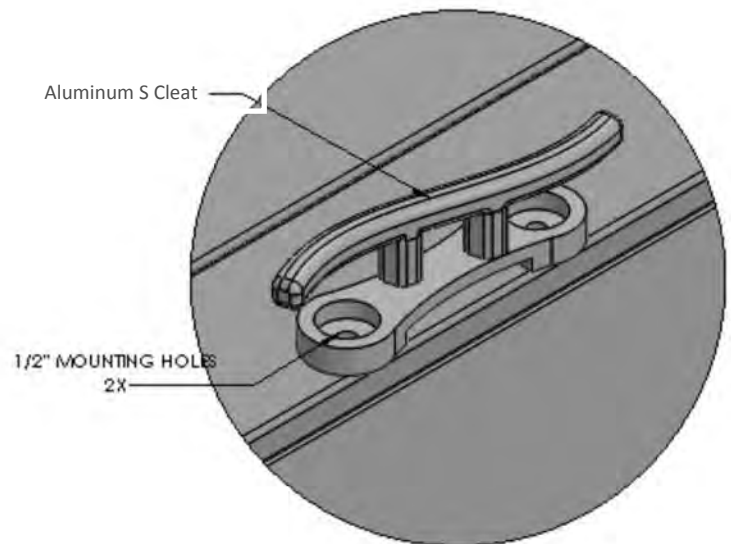
STEP ONE

First determine your desired location where the Aluminum S Cleat. The Aluminum S Cleat will be bolted to the C-Channel using 1/2" hardware. Holes will have to be drilled through the PVC decking and the C-Channel's top lip. See Detail A.

Note: Aluminum S Cleat location varies according to customer needs/requirements.

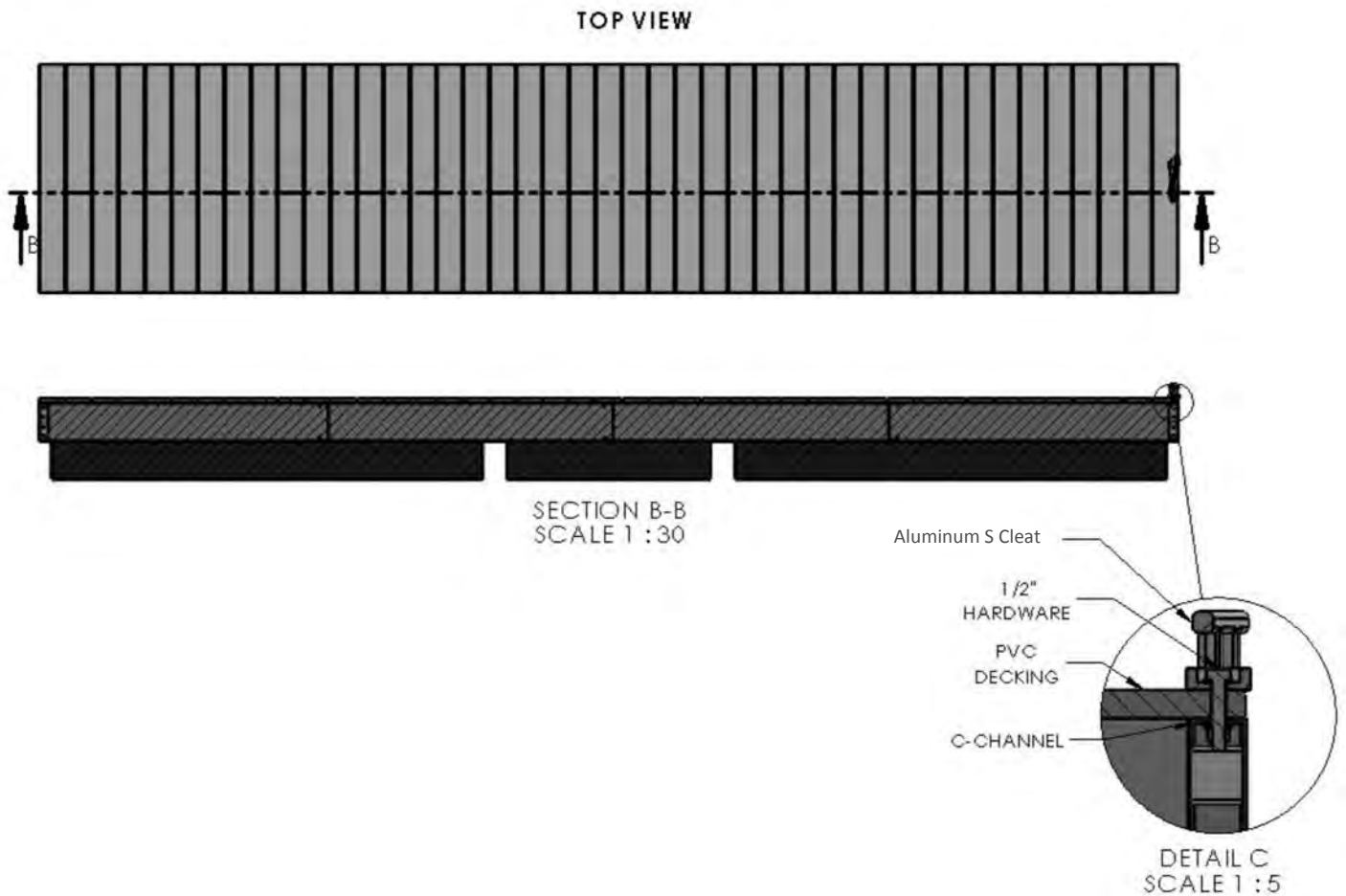


DETAIL A
SCALE 1 : 3



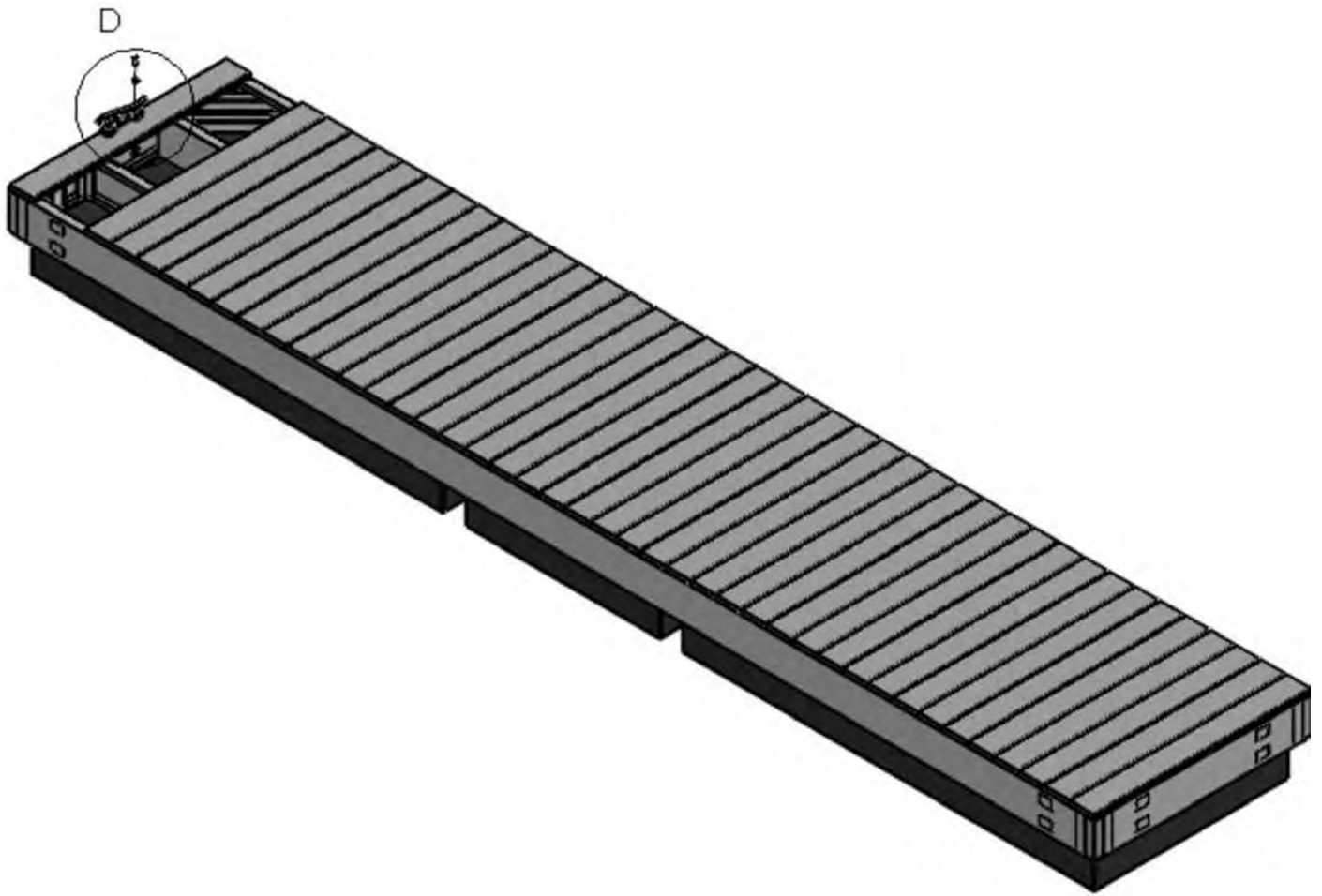
STEP TWO

Next, using a 1/2" Drill bit, use the existing holes on the Aluminum S Cleat and drill 2 blind holes, beginning with the PVC decking and ending with the c-channel's top lip, as shown below. Make sure the holes will not interfere with any existing hardware. See Detail B and C.



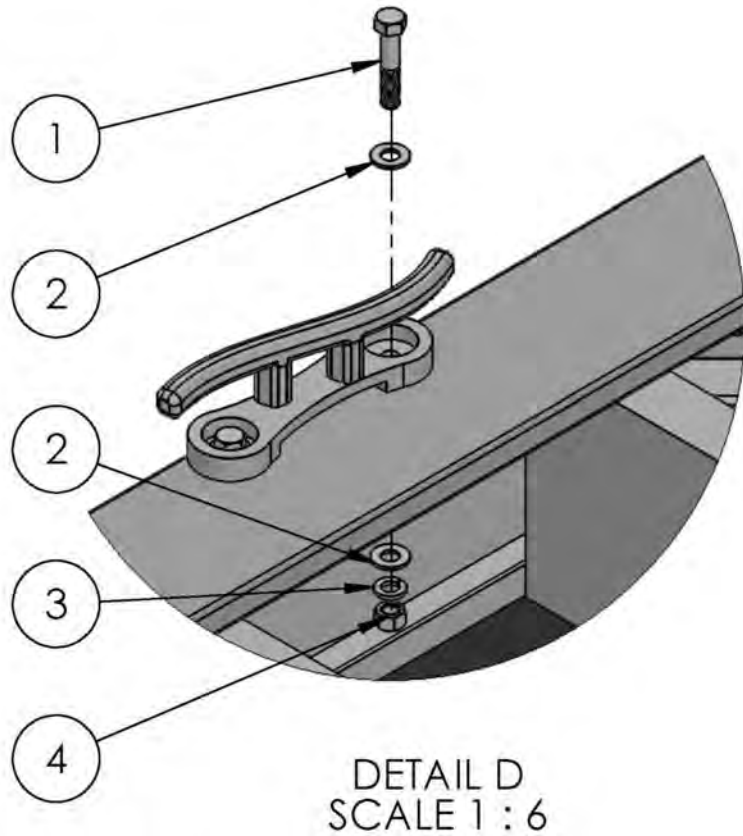
STEP THREE

Once the 1/2" holes have been drilled, remove the boards adjacent to where the Aluminum S Cleat will be located. Insert 1/2" hex bolt and flat washer from the top.



STEP FOUR

Next, insert 1/2" flat washer, lock washer and hex nut from the bottom. Fasten the Aluminum S Cleat to the c-channel's top lip. See Detail D.

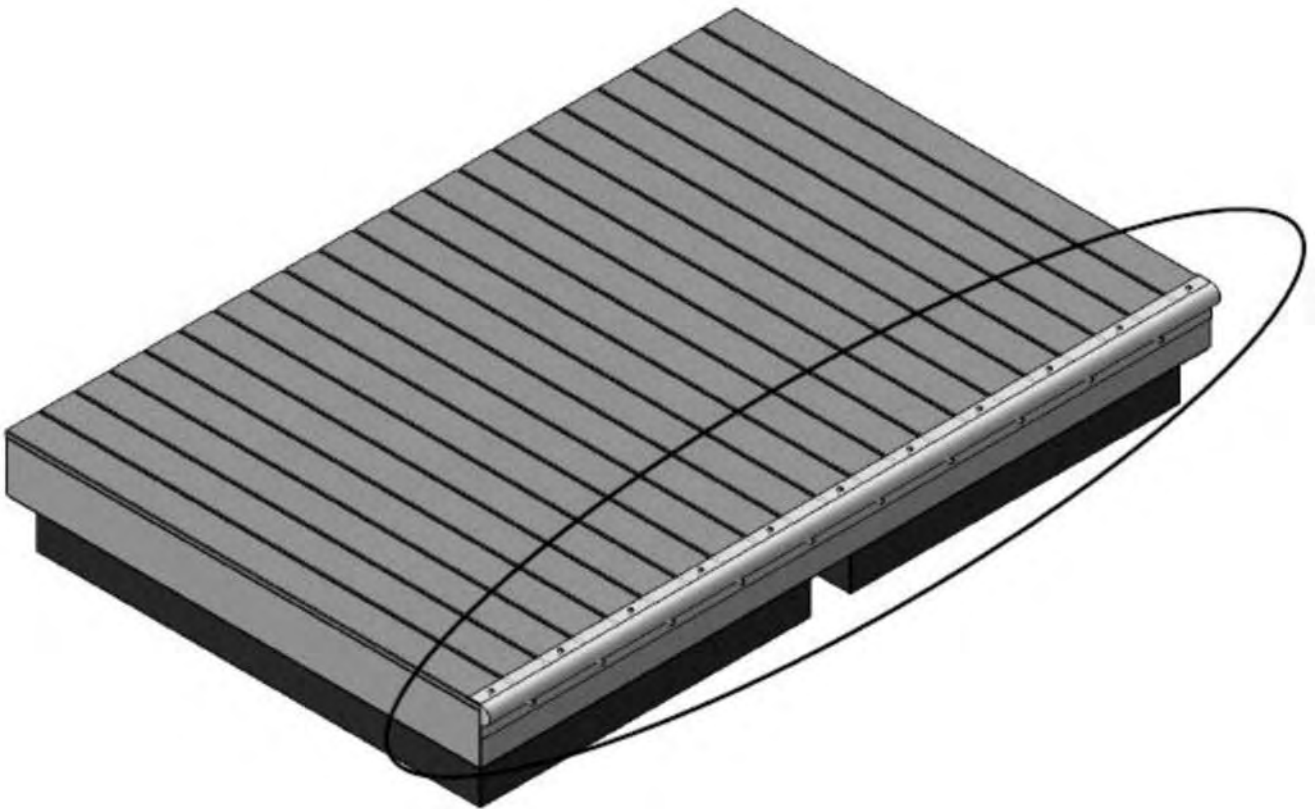




FOR MORE INFORMATION CALL 954.785.7557 OR
EMAIL SALES@ACCUDOCK.COM



INSTALLATION INSTRUCTIONS



Bumpstrip to Aluminum Floating Dock

BEFORE INSTALLATION




Thank you for your purchase with AccuDock. Our products have been constructed for durability and designed for easy installation. Please take the time to read these instructions carefully before installing your accessory.

Check your package carefully to ensure you have all parts and hardware listed below. Should you be missing any of the hardware please contact us.

PARTS LIST

While unpacking, please be sure to not discard any of the parts. Set them aside on a flat surface and ensure all parts are present prior to installation.

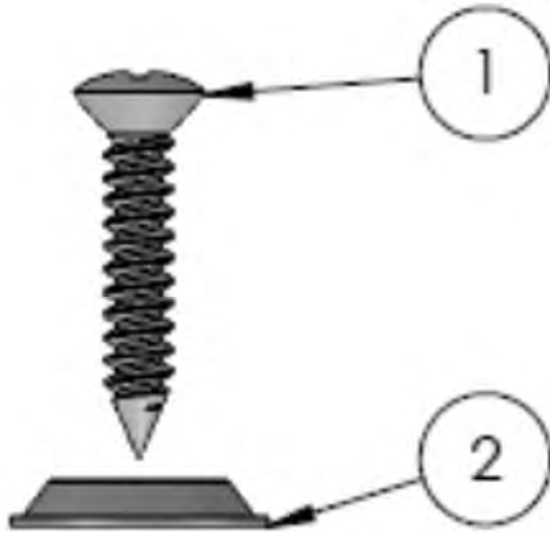
The part list below does not provide quantities due to the variation of hardware required for each installation. Every installation is unique and may require different quantities.

Part	Qty	
Aluminum Floating Dock Design Bumpstrip (ACC-BSHD)	-	
#10 x 1" Phillips Oval Head Screw	-	
#10 Flanged Countersunk Washer	-	

TOOLS NEEDED

Cordless Drill with 11/64" drill bit

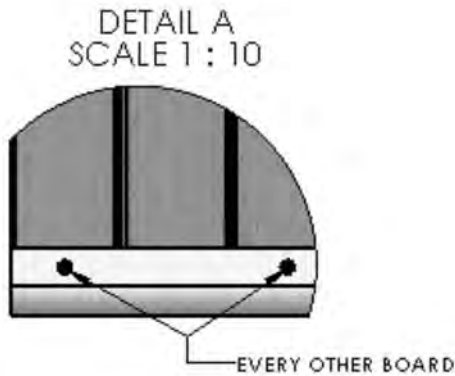
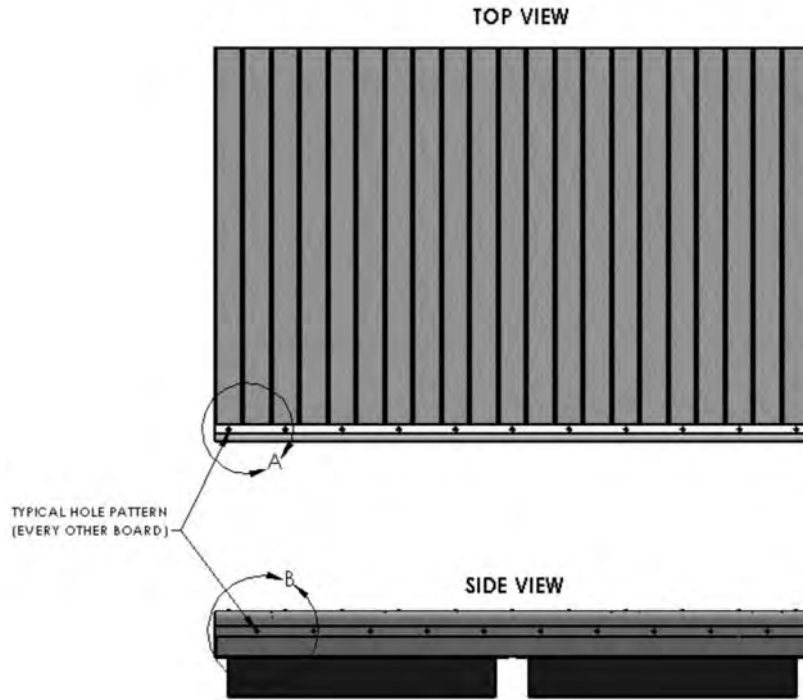
HARDWARE LIST



Label	Description
1	#10 x 1" Phillips Oval Head Screw
2	#10 Flanged Countersunk Washer

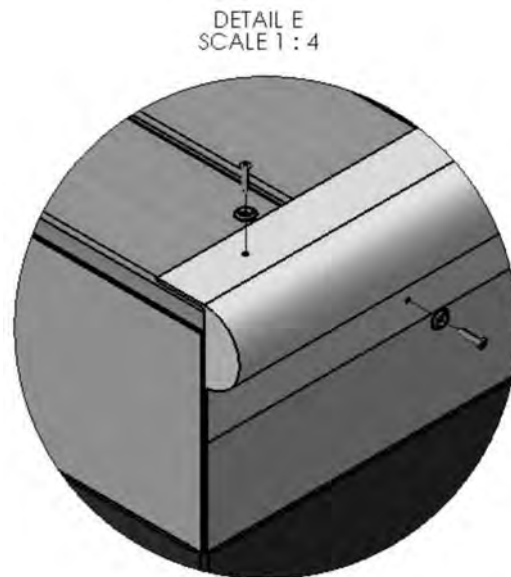
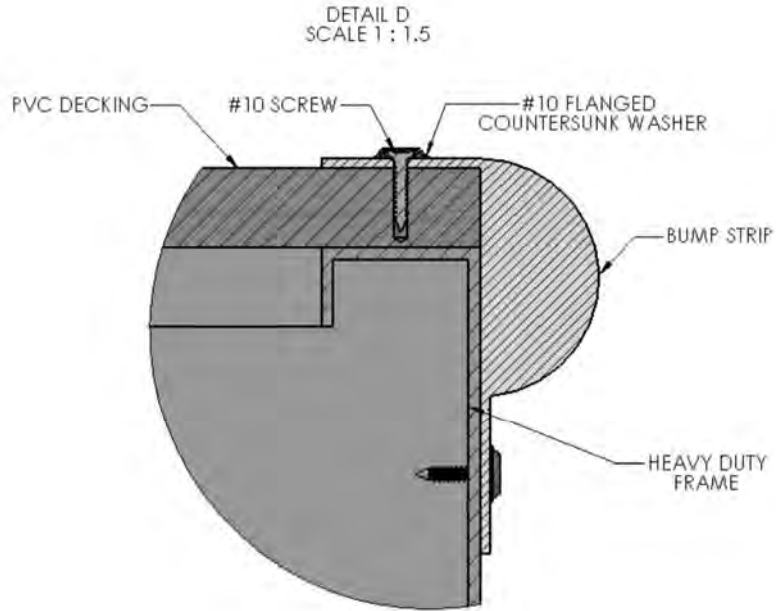
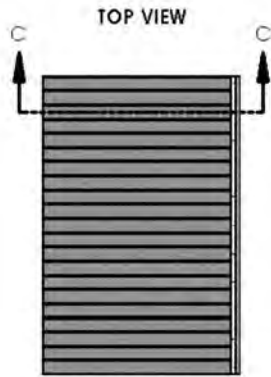
STEP ONE

The Bumpstrip will be bolted to the PVC decking & the heavy duty frame. Secure the Bumpstrip from the top using #10 x 1" Phillips Oval Head Screws, beginning with the Bumpstrip, and ending with the PVC Decking. See Detail A and B.



STEP TWO

Next, using a drill with a 11/64" drill bit, drill blind holes (pilot holes) through the Bumpstrip and the heavy duty frame. Secure the Bumpstrip from the side using #10 x 1" Phillips Oval Head Screws, beginning with the Bumpstrip, and ending with the heavy duty frame. Make sure to follow hole pattern until Bumpstrip is fully secured. See Detail C, D and E.

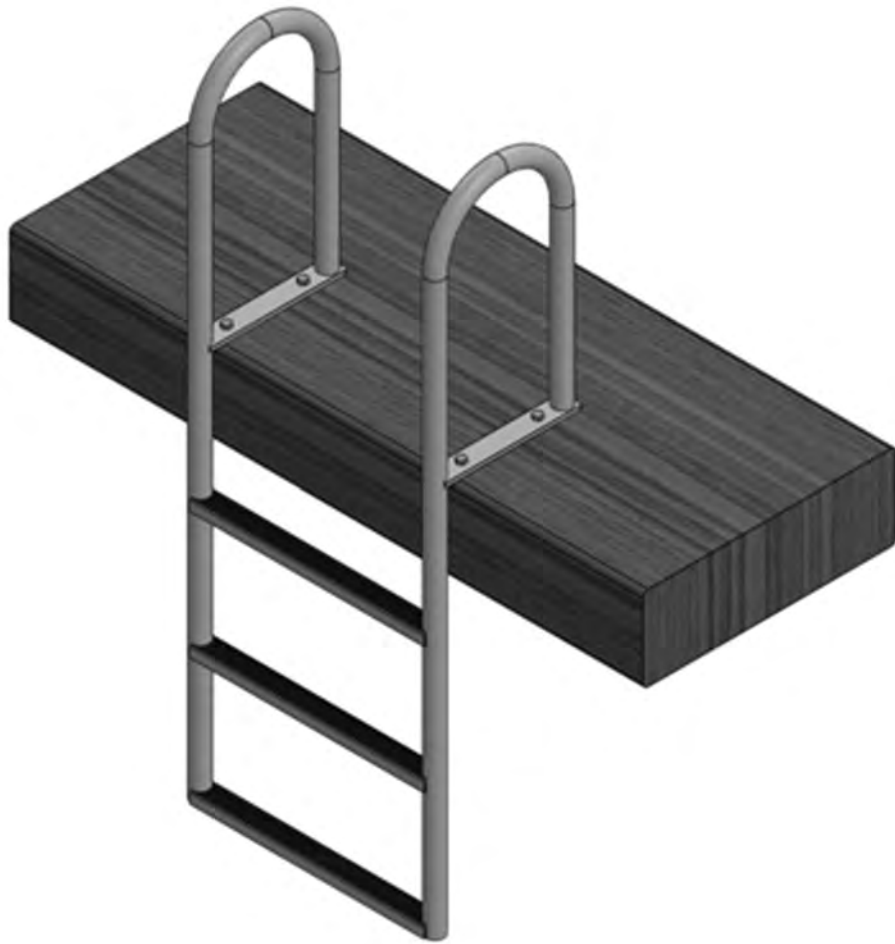




FOR MORE INFORMATION CALL 954.785.7557 OR
EMAIL SALES@ACCUDOCK.COM
WWW.ACCUDOCK.COM



INSTALLATION INSTRUCTIONS



Dock Ladder to a Fixed Dock



BEFORE INSTALLATION

Thank you for your purchase with AccuDock. Our products have been constructed for durability and designed for easy installation. Please take the time to read these instructions carefully before installing your accessory.

Check your package carefully to ensure you have all parts and hardware listed below. Should you be missing any of the hardware please contact us.

PARTS LIST

While unpacking, please be sure to not discard any of the parts. Set them aside on a flat surface and ensure all parts are present prior to installation.

Part	Qty	
Dock Ladder* (ACC-3SL, ACC-4SL or ACC-5SL)	1	
1/2" Bolting Hardware (Not Provided by AccuDock)	-	

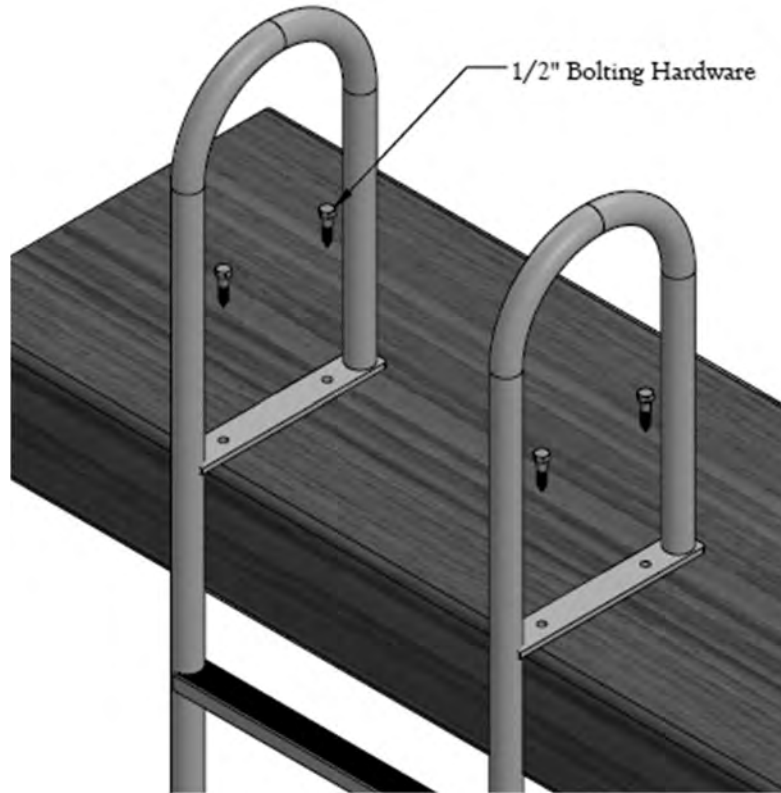
* Images shown reference 3-Step Dock Ladder. Same installation instructions apply to all Dock Ladders.

TOOLS NEEDED

Cordless Drill

HARDWARE LIST

Note: AccuDock does not provided bolting hardware for this product. Necessary hardware will vary based upon the material(s) from which the fixed dock is constructed from. Make sure hardware is drilled to structural stringers on fixed structure for strength purposes.

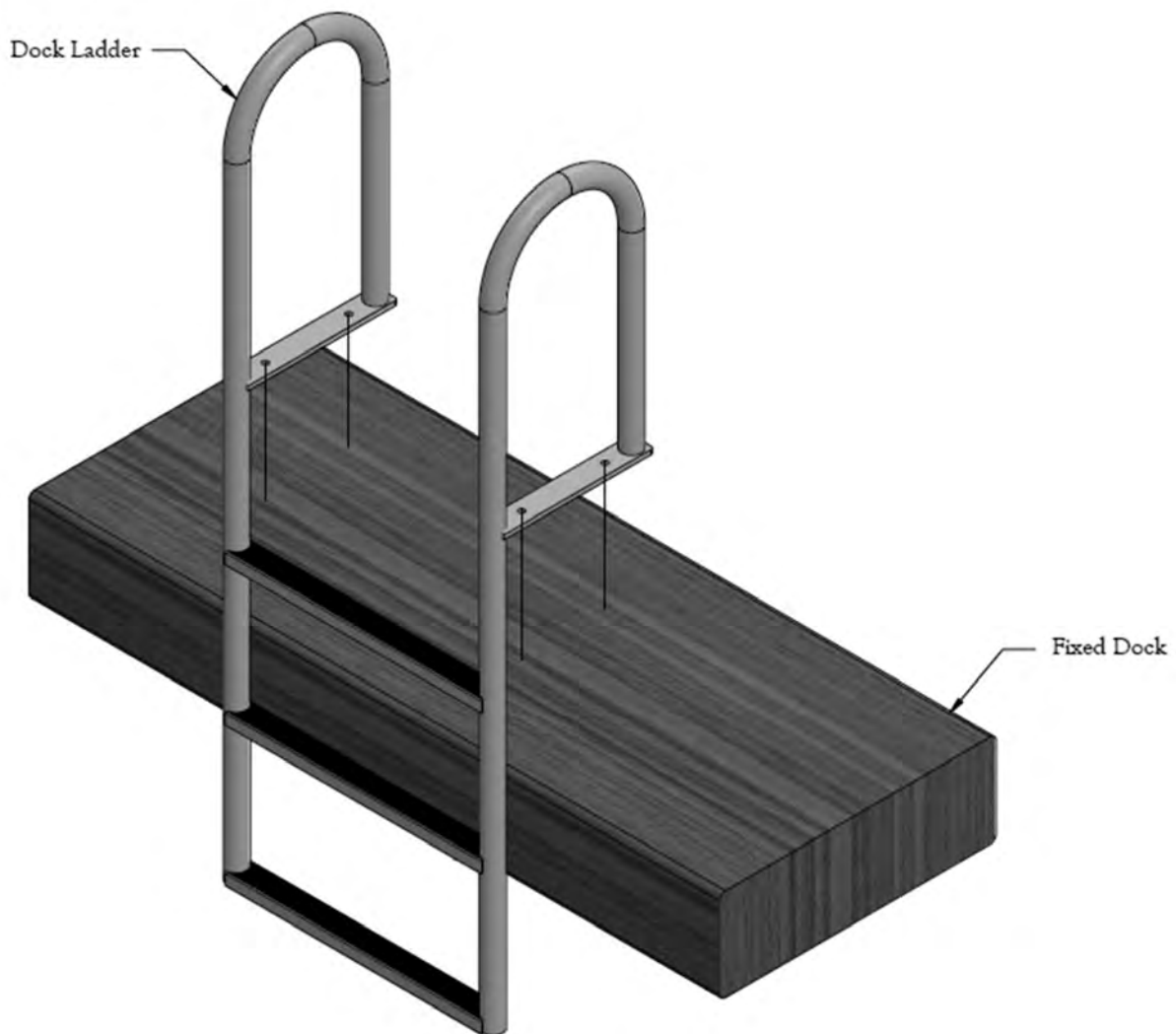


Label	Description
-	1/2" Bolting Hardware

STEP ONE

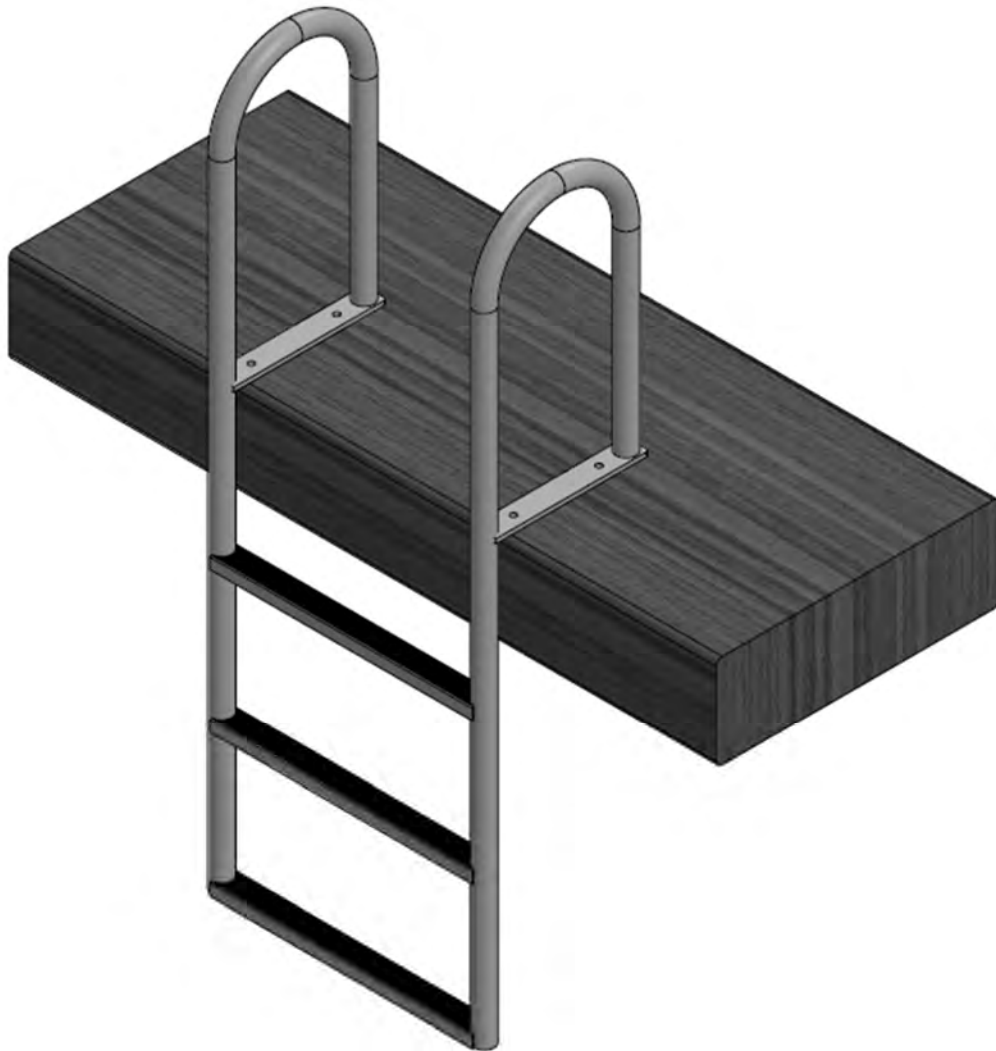
Determine the Dock Ladder position. The Dock Ladder will be bolted using 1/2" bolting hardware.

Note: Bolting hardware should bolt into main dock sub structure or a piece of backing material should be used for strength purposes. Dock Ladder should not be bolted directly and only through fixed dock decking material.



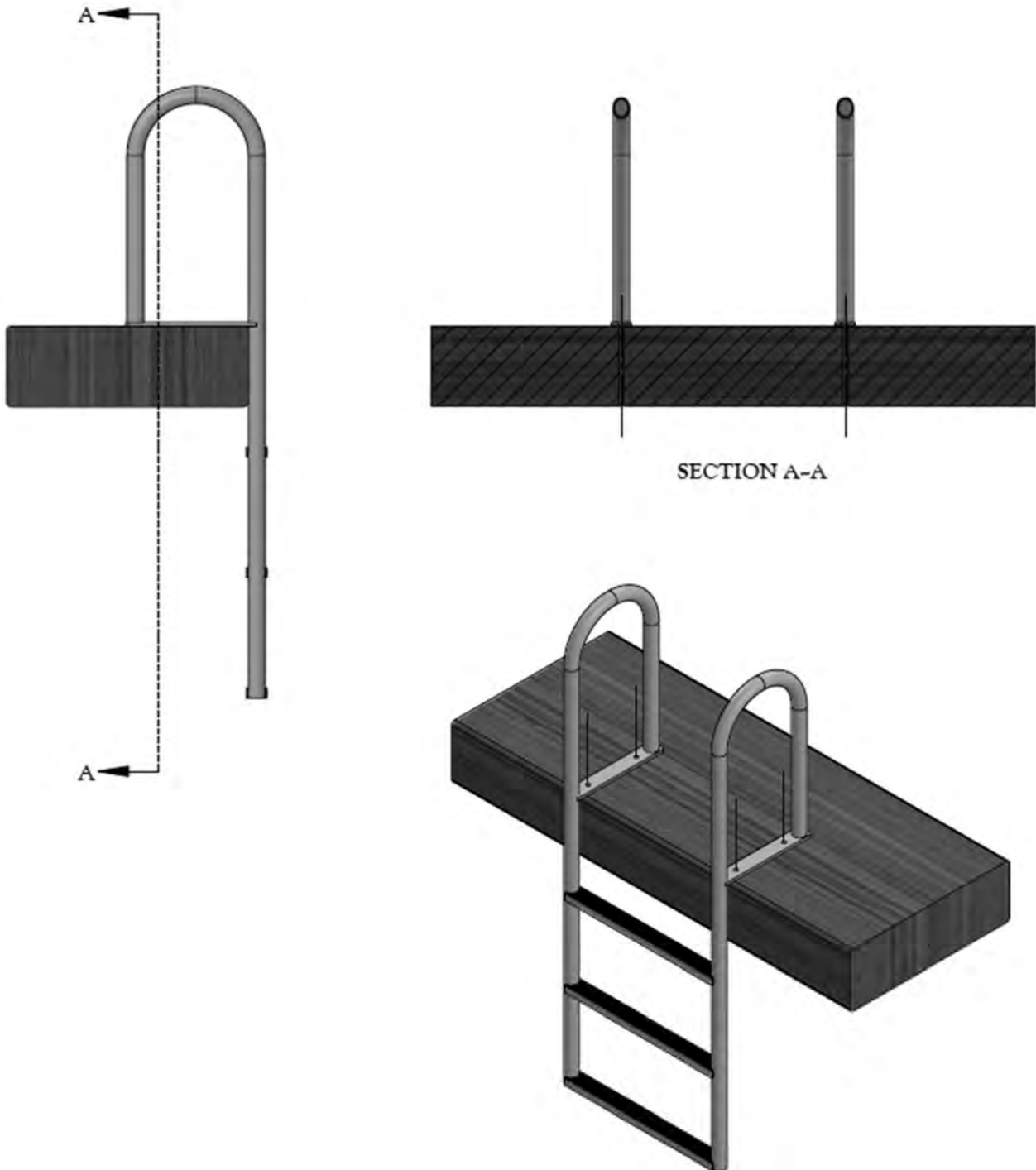
STEP TWO

Place the Dock Ladder firmly against the sidewall and on top of the fixed structure.



STEP THREE

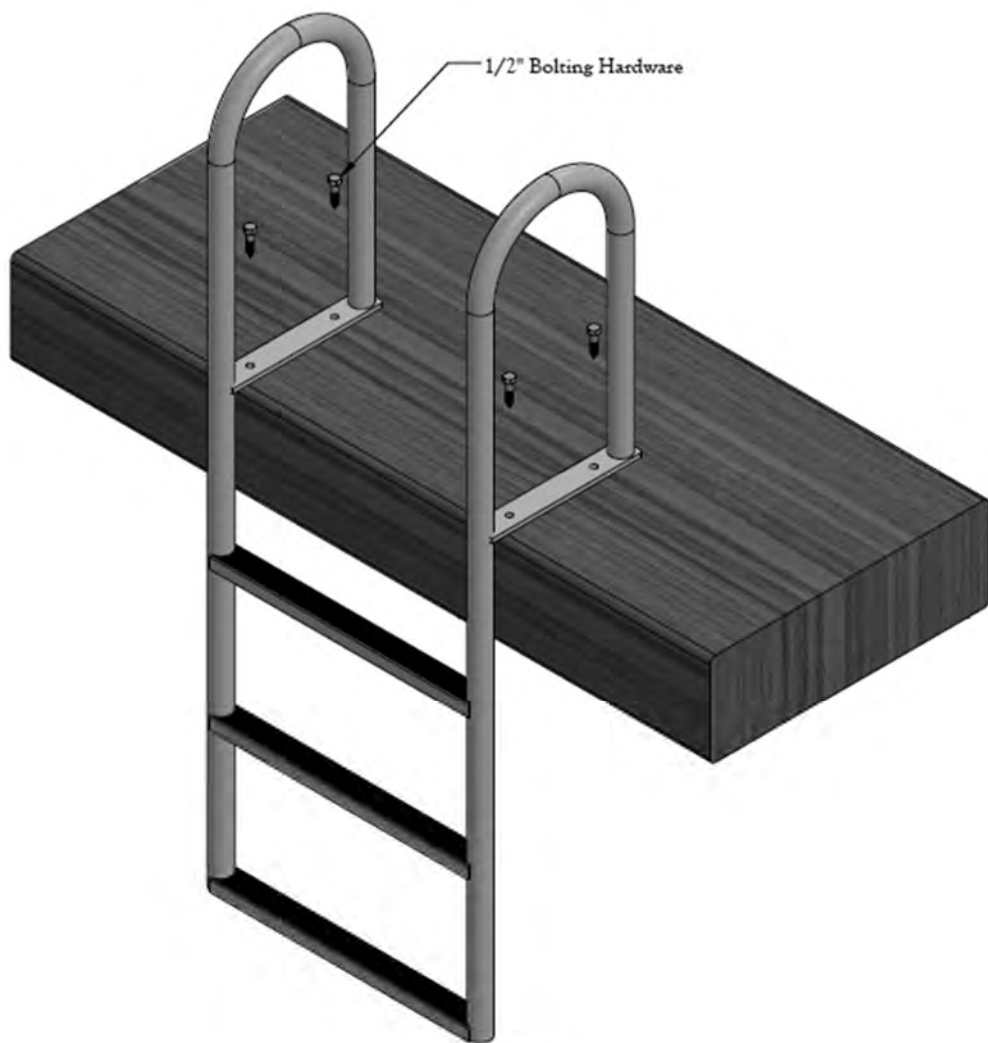
Next, use the existing holes (4x) on the Dock Ladder flat bar as a guide and drill 4 blind holes (as necessary) and per the bolting hardware manufacturing instructions and through the fixed dock. See Detail A.



STEP FOUR

After drilling, insert the 1/2" bolting hardware from the top. Lastly, fasten the Dock Ladder to the fixed dock.

Note: AccuDock does not provide bolting hardware for this product. Necessary hardware will vary based upon the material(s) from which the fixed dock is constructed from.

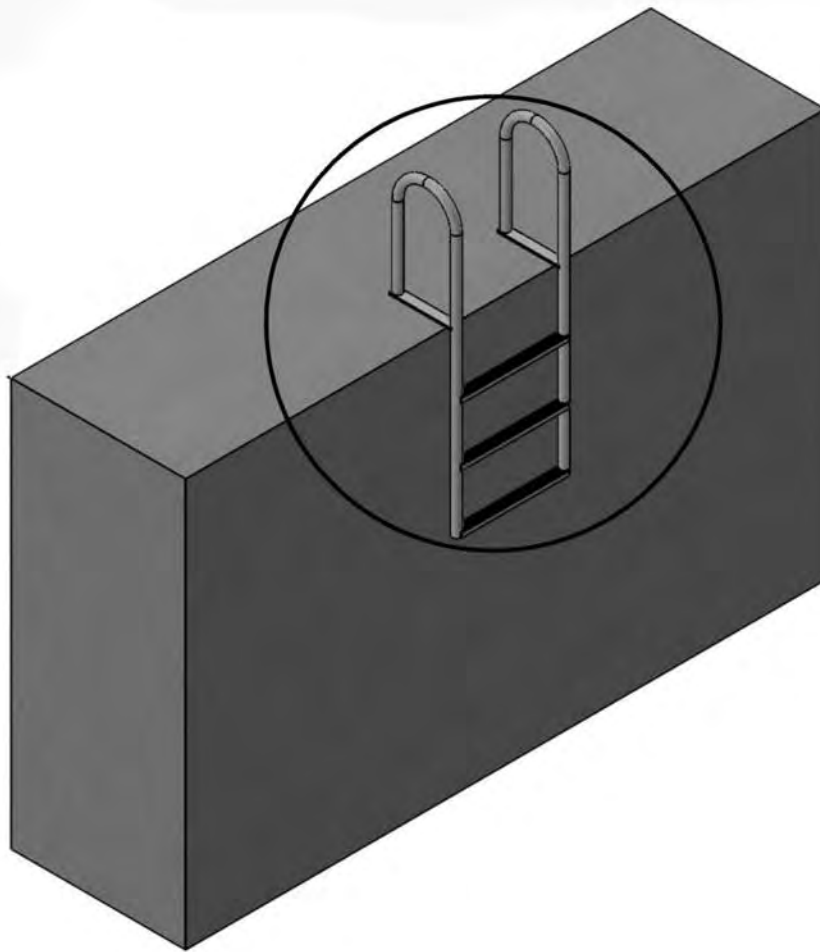




FOR MORE INFORMATION CALL 954.785.7557 OR
EMAIL SALES@ACCUDOCK.COM



INSTALLATION INSTRUCTIONS



Dock Ladder to a Seawall



BEFORE INSTALLATION

Thank you for your purchase with AccuDock. Our products have been constructed for durability and designed for easy installation. Please take the time to read these instructions carefully before installing your accessory.

Check your package carefully to ensure you have all parts and hardware listed below. Should you be missing any of the hardware please contact us.

PARTS LIST

While unpacking, please be sure to not discard any of the parts. Set them aside on a flat surface and ensure all parts are present prior to installation.

Part	Qty	
Dock Ladder* (ACC-3SL, ACC-4SL or ACC-5SL))	1	
1/2"-13 x 6" Wedge Anchor	4	

* Images shown reference 3-Step Dock Ladder. Same installation instructions apply to all Dock Ladders.

TOOLS NEEDED

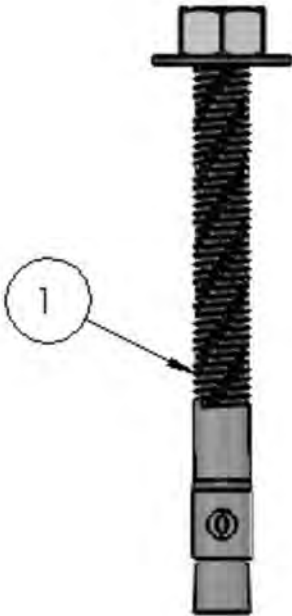
Cordless Drill with 1/2" Drill Bit

Hammer/Mallet

3/4" Wrench (2)

Allen Wrench

HARDWARE LIST

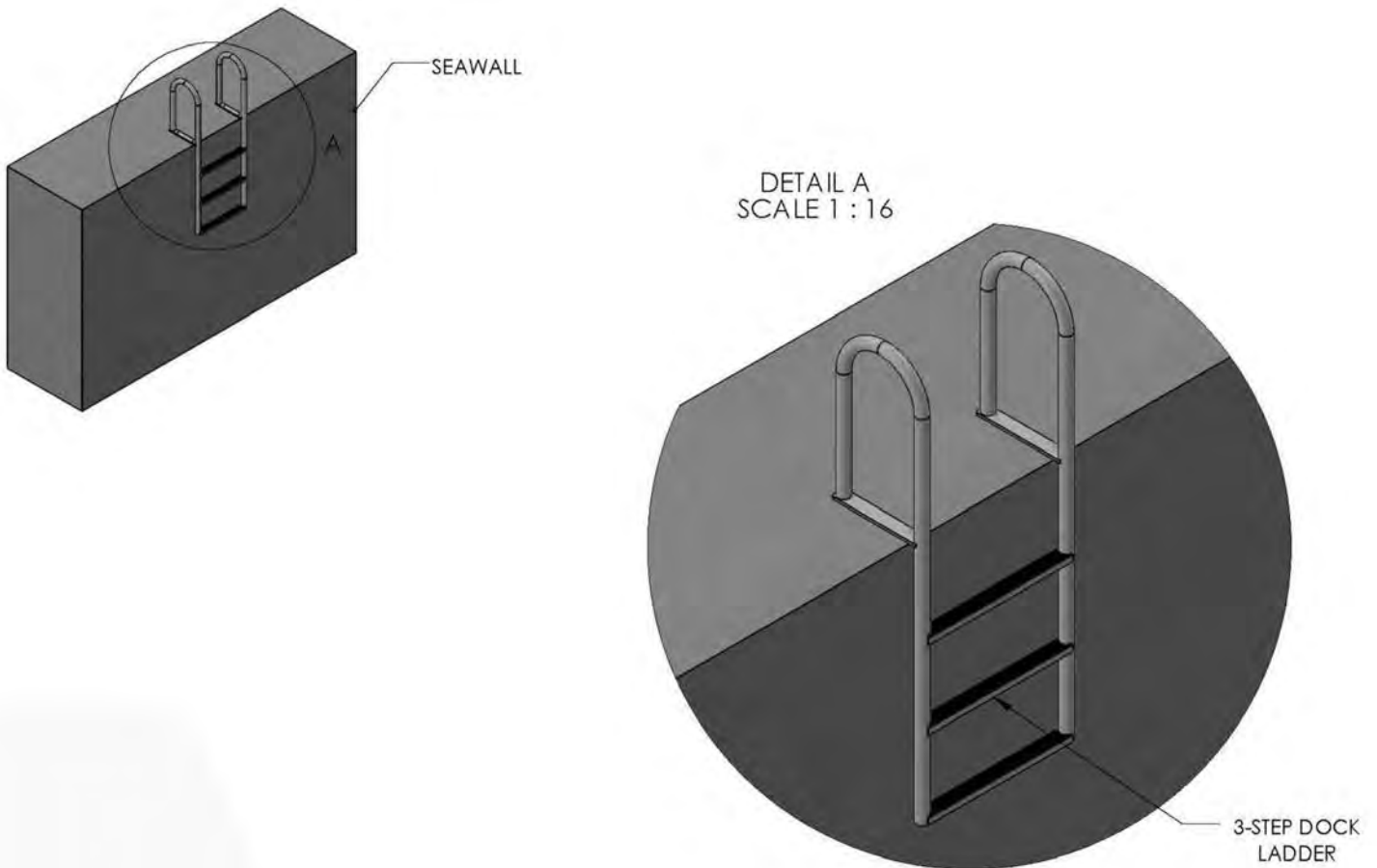


Label	Description
1	1/2"-13 x 6" Wedge Anchor

STEP ONE

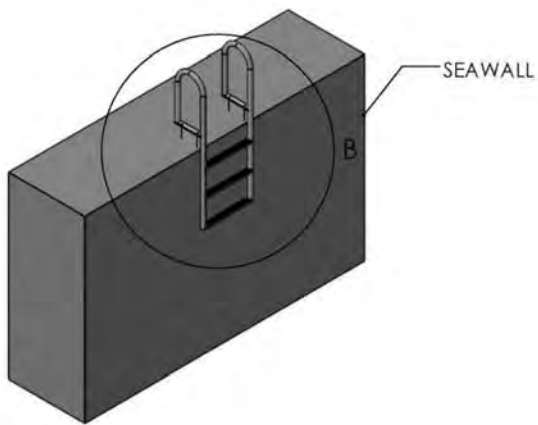
Determine the Dock Ladder position. The Dock Ladder will be bolted to the seawall using 1/2" wedge anchors. 1/2" blind holes (approx. 6") will have to be drilled through the seawall. See Detail A.

Note: Dock Ladder location to be determined by customer upon installation.

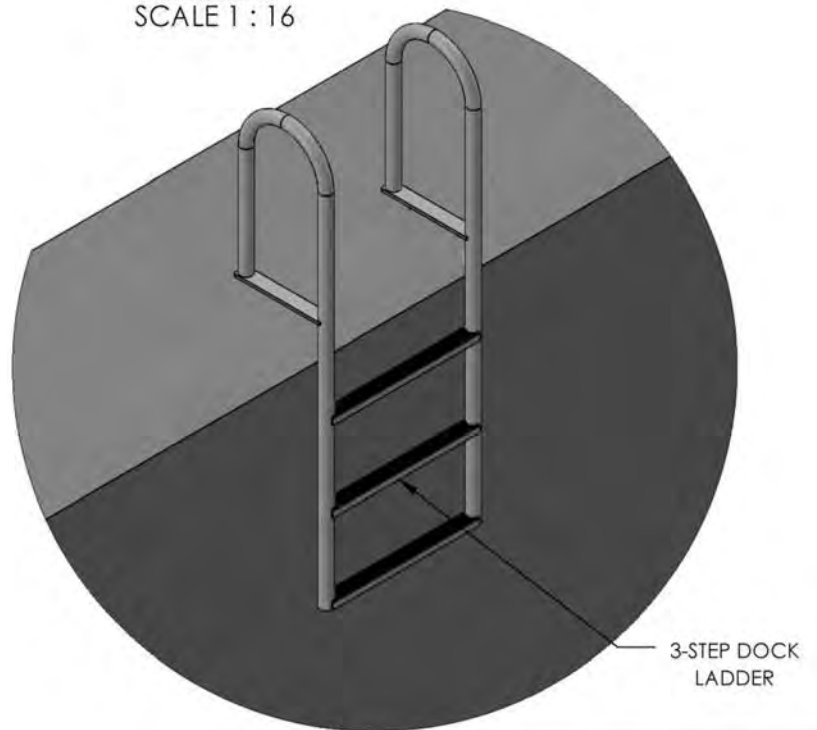


STEP TWO

Each Dock Ladder has four locations from where it can fastened to the seawall.
Place the Dock Ladder firmly against the base and on top of the seawall.
See Detail B.

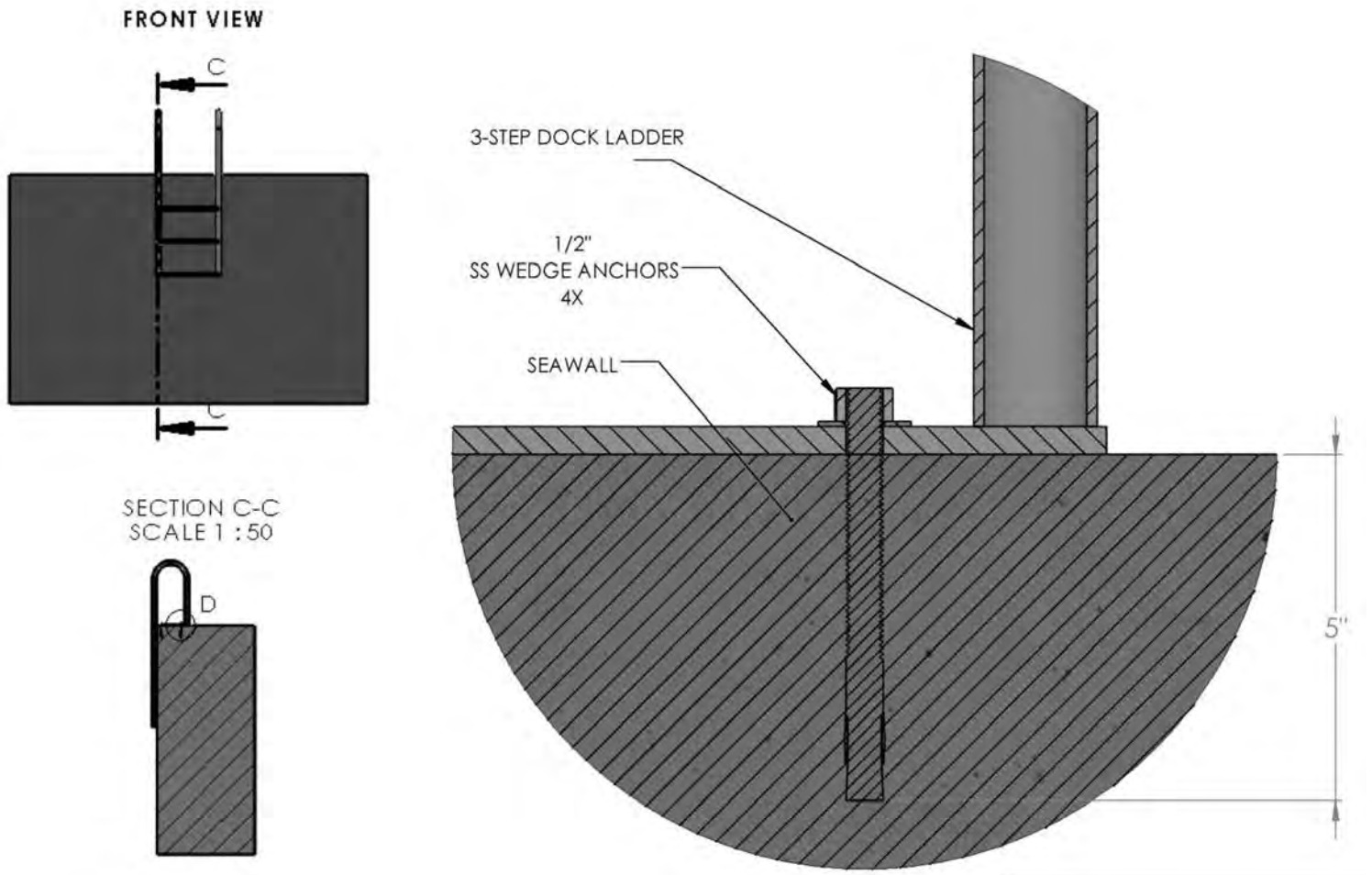


DETAIL B
SCALE 1 : 16



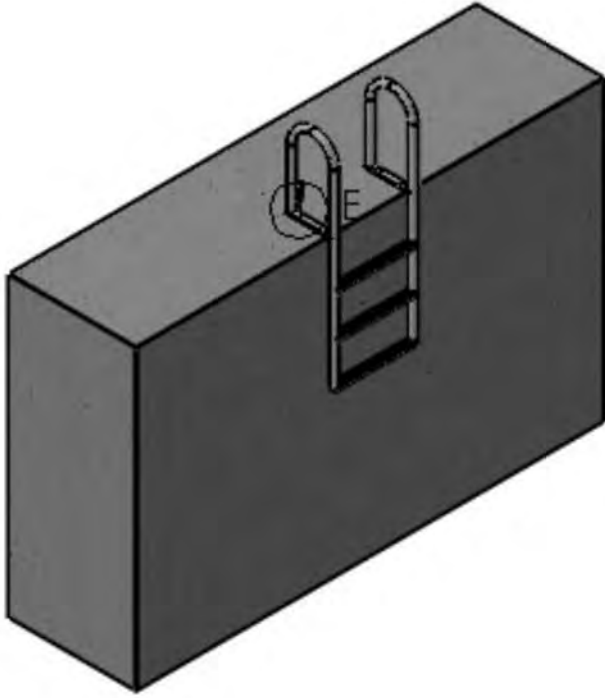
STEP THREE

Next, use the existing holes (4x) on the Dock Ladder flat bar as a guide and drill 4 blind holes (approx. 6") through the seawall.

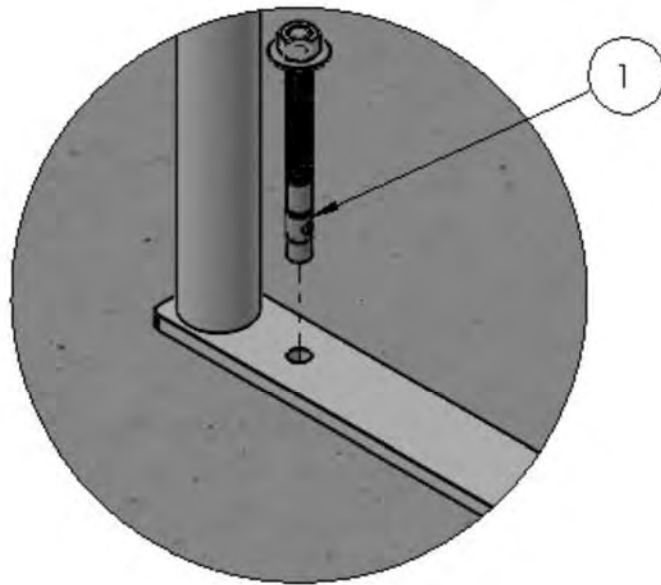


STEP FOUR

After drilling the mounting holes, insert 1/2" wedge anchor from the top. Lastly, fasten Dock Ladder to the seawall. See Detail E.



DETAIL E
SCALE 1 : 4

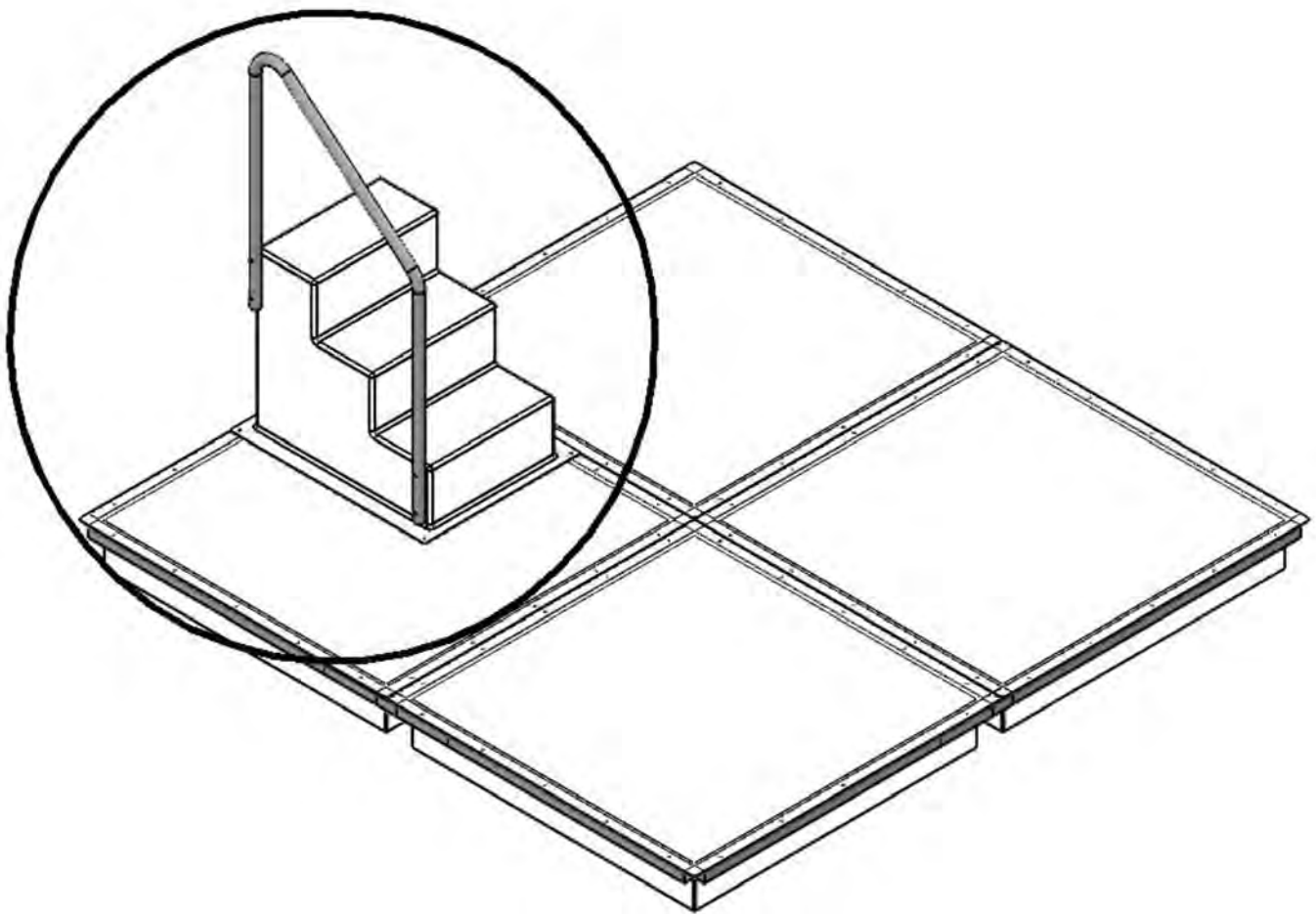




FOR MORE INFORMATION CALL 954.785.7557 OR
EMAIL SALES@ACCUDOCK.COM



INSTALLATION INSTRUCTIONS



Fiberglass Stairs





BEFORE INSTALLATION

Thank you for your purchase with AccuDock. Our products have been constructed for durability and designed for easy installation. Please take the time to read these instructions carefully before installing your accessory.

Check your package carefully to ensure you have all parts and hardware listed below. Should you be missing any of the hardware please contact us.

PARTS LIST

While unpacking, please be sure to not discard any of the parts. Set them aside on a flat surface and ensure all parts are present prior to installation.

Part	Qty	
Fiberglass Stairs* (ACC-3SS or ACC-4SS)	1	
5/16"- 18 x 3-1/4" Carriage Bolt	3	
5/16" Lock Washer	3	
5/16"-18 Hex Nut	3	

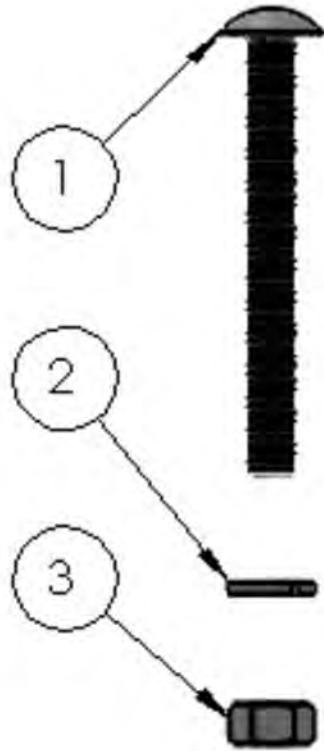
* Images shown reference 3-Step Fiberglass Stairs. Same installation instructions apply to all Fiberglass Stairs.

TOOLS NEEDED

Cordless Drill with 5/16" drill bit

Allen Wrench

HARDWARE LIST

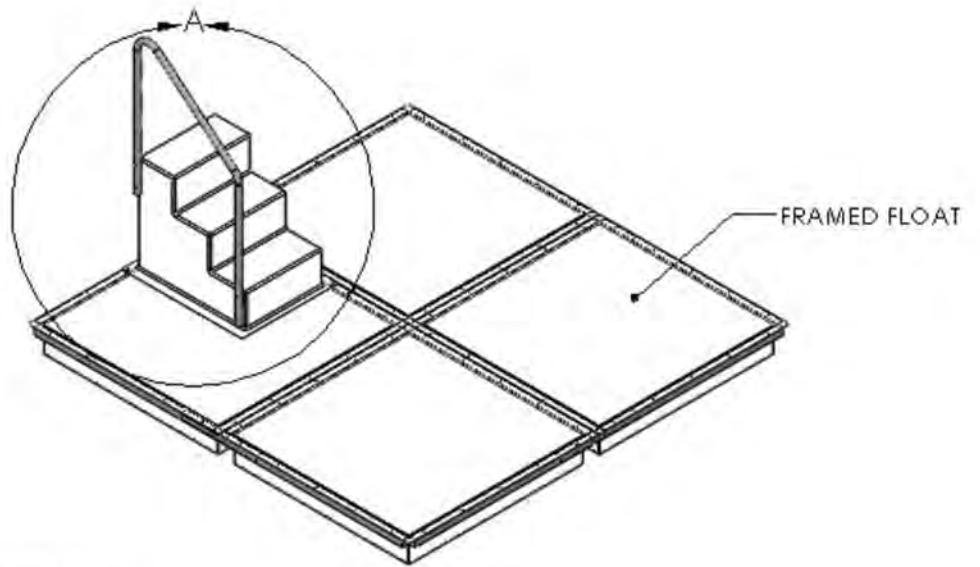


Label	Description
1	5/16"- 18 x 3-1/4" Carriage Bolt
2	5/16" Lock Washer
3	5/16"-18 Hex Nut

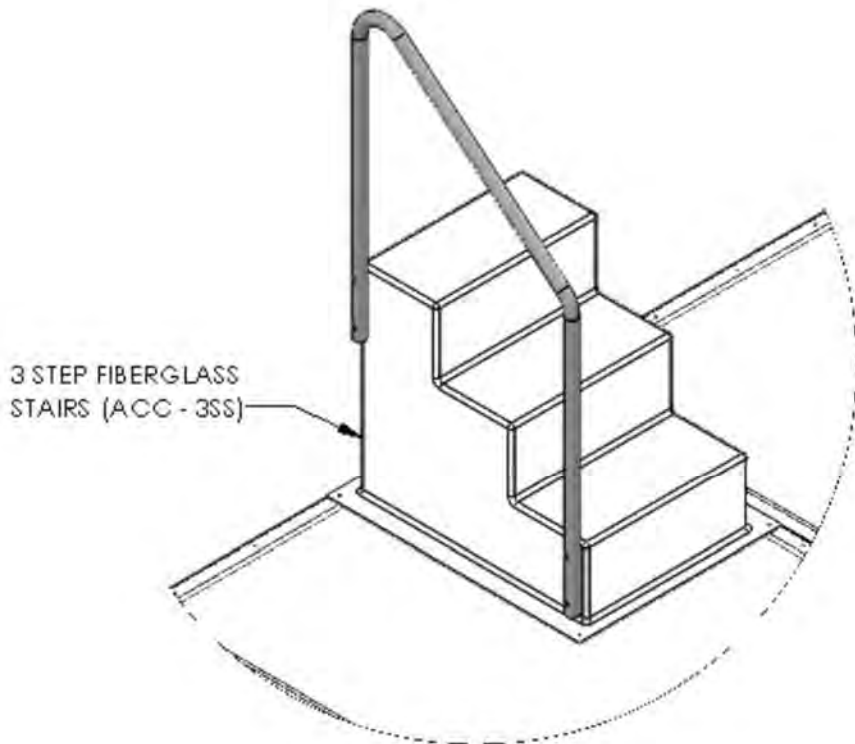
STEP ONE

Determine the Fiberglass Stairs position, it will be bolted to the aluminum dock frame using 5/16" hardware. Holes will have to be drilled through the Fiberglass Stairs' lid, float's lid, and aluminum float frame. See Detail A.

Notes: Fiberglass Stairs location varies according to customer needs/requirements.

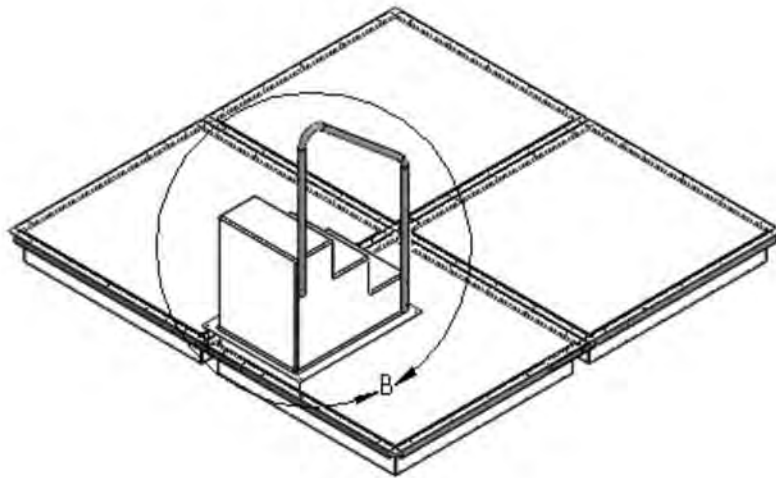


DETAIL A
SCALE 1 : 20



STEP TWO

Once the Fiberglass Stairs position is determine ensure that the Fiberglass Stairs' lid aligns with aluminum float frame. See Detail B.



DETAIL B
SCALE 1 : 20

3-STEP FIBERGLASS STAIRS
(ACC - 3SS)

FIBERGLASS STAIRS'
LID

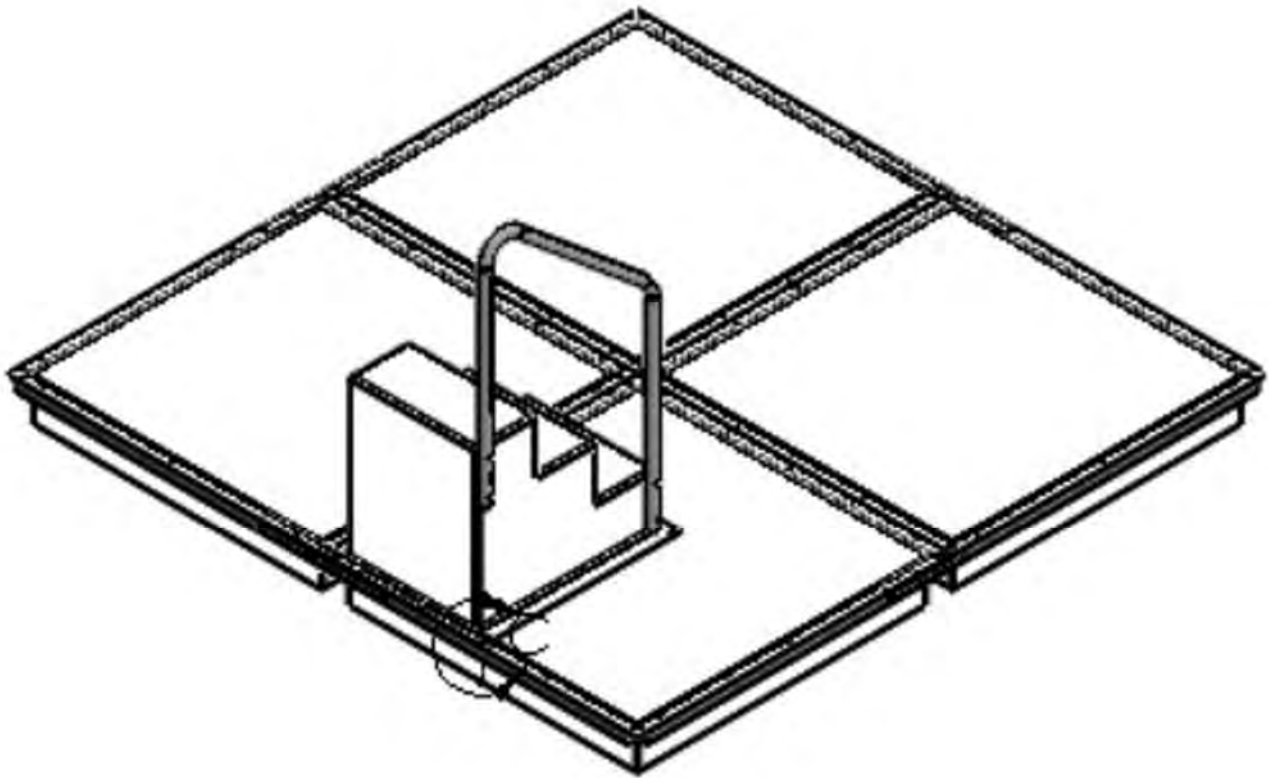
FLOAT'S LID

ALUMINUM FLOAT
FRAME

5/16 HOLES TO BE
DRILLED

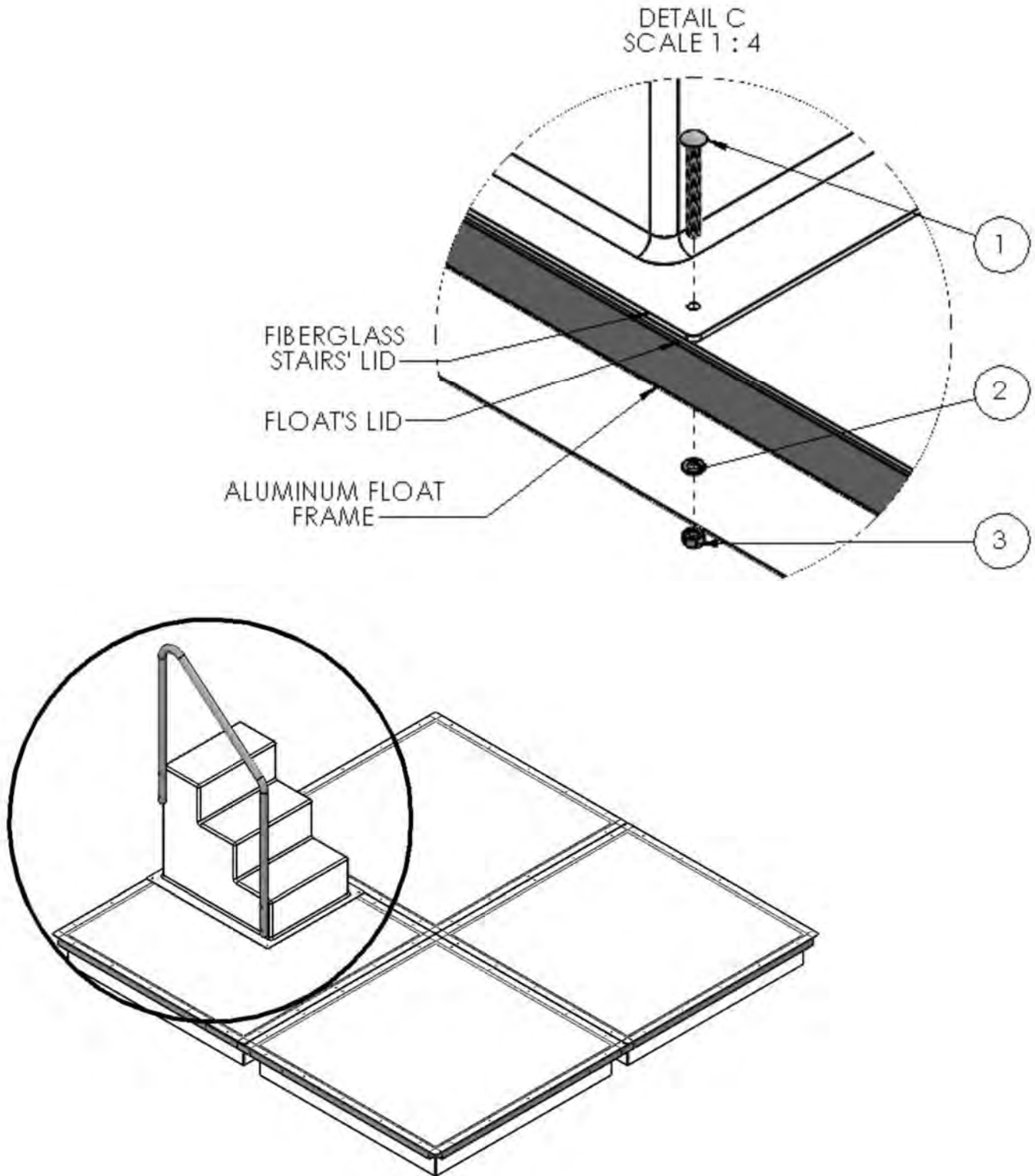
STEP THREE

Once the Fiberglass Stairs is aligned and in position using a 5/16" drill bit drill thru all of the holes beginning with the Fiberglass Stairs' lid, and ending with the aluminum float frame. Make sure that the holes do not interfere with any existing hardware.



STEP FOUR

After drilling the mounting holes (3-4), insert 5/16" carriage bolts from the top. Insert lock washers, and hex nuts from the bottom. Lastly, fasten the Fiberglass Stairs to the framed float. See Detail C.

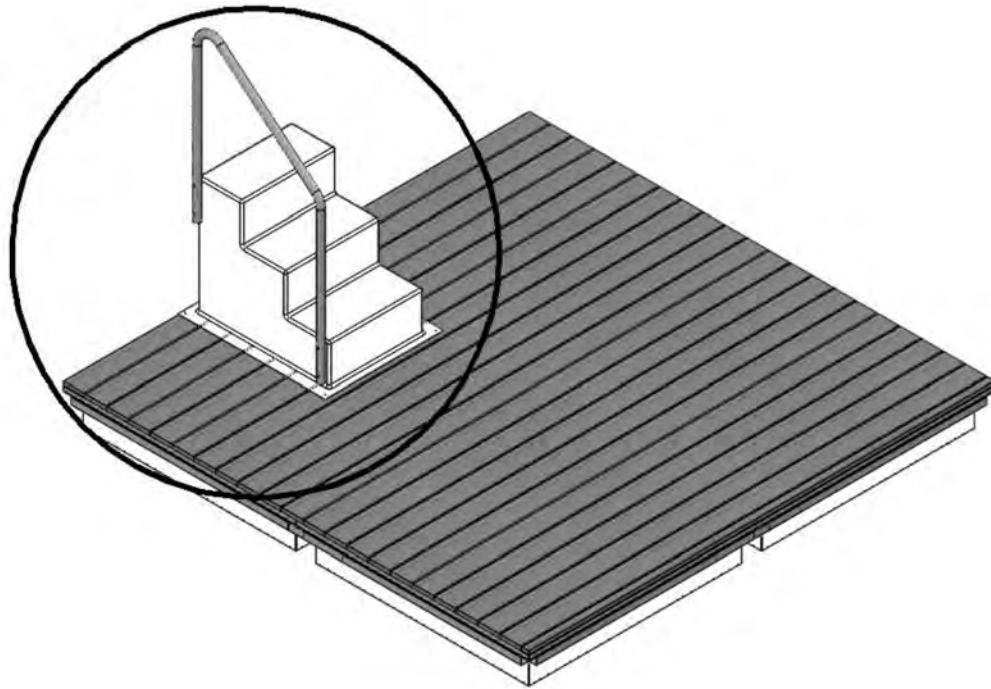




FOR MORE INFORMATION CALL 954.785.7557 OR
EMAIL SALES@ACCUDOCK.COM



INSTALLATION INSTRUCTIONS



Fiberglass Stairs to Decked Dock





BEFORE INSTALLATION

Thank you for your purchase with AccuDock. Our products have been constructed for durability and designed for easy installation. Please take the time to read these instructions carefully before installing your accessory.

Check your package carefully to ensure you have all parts and hardware listed below. Should you be missing any of the hardware please contact us.

PARTS LIST

While unpacking, please be sure to not discard any of the parts. Set them aside on a flat surface and ensure all parts are present prior to installation.

Part	Qty	
Fiberglass Stairs (ACC-3SS or ACC-4SS)	1	
5/16"- 18 x 5- 1/2" Carriage Bolt	3	
5/16" Lock Washer	3	
5/16"-18 Hex Nut	3	

* Images shown reference 3-Step Fiberglass Stairs. Same installation instructions apply to all Fiberglass Stairs.

TOOLS NEEDED

Cordless Drill with 5/16" drill bit

Allen Wrench

HARDWARE LIST

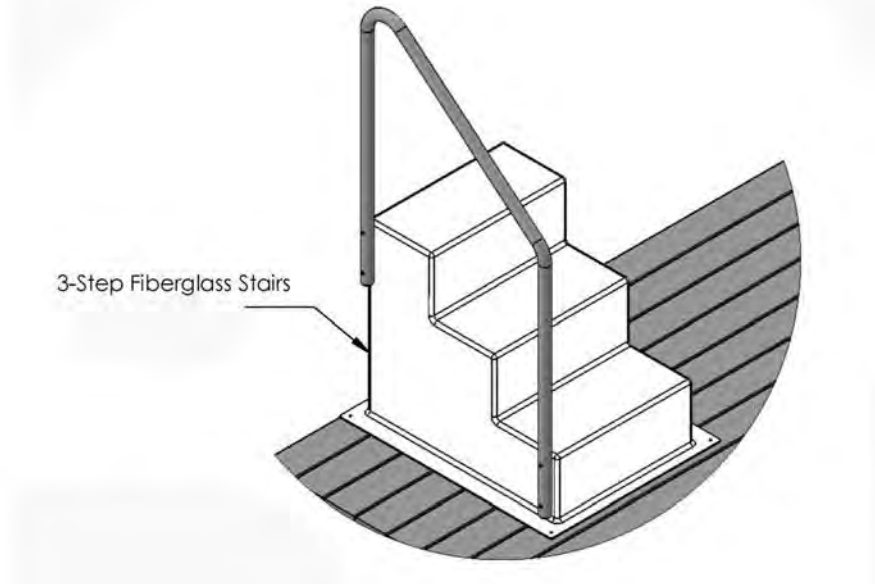
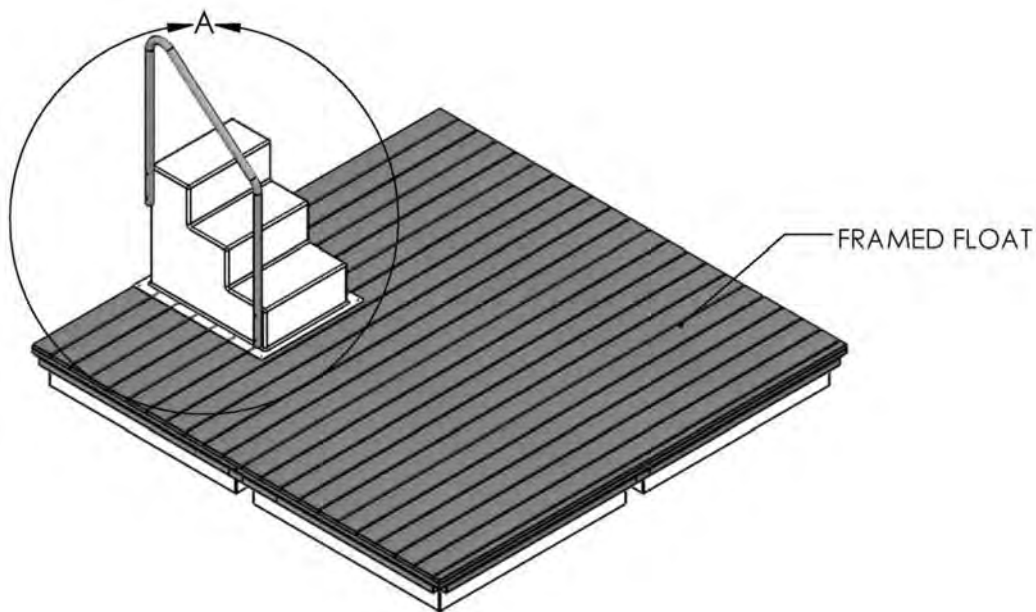


Label	Description
1	5/16"- 18 x 5- 1/2" Carriage Bolt
2	5/16" Lock Washer
3	5/16"-18 Hex Nut

STEP ONE

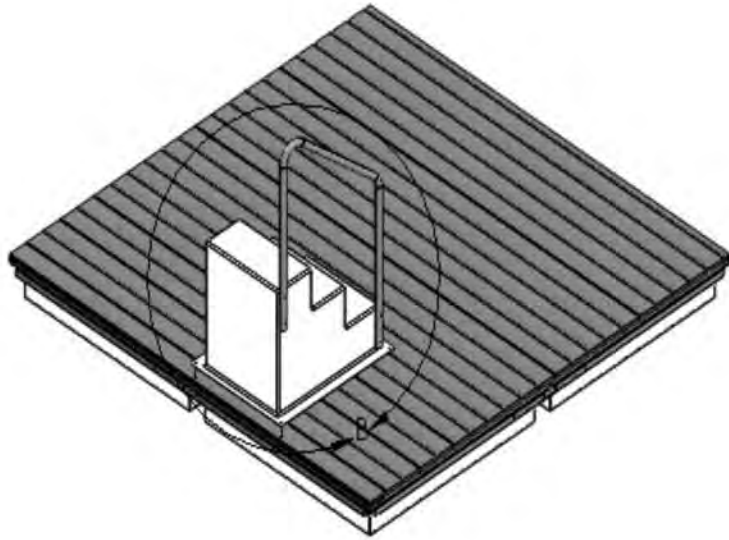
Determine the Fiberglass Stairs position, it will be bolted to the aluminum dock frame using 5/16" hardware. Holes will have to be drilled through the Fiberglass Stairs' lid, PVC decking, deck frame, float's lid, and aluminum float frame. See Detail A.

Note: Fiberglass Stairs location varies according to customer needs/requirements.

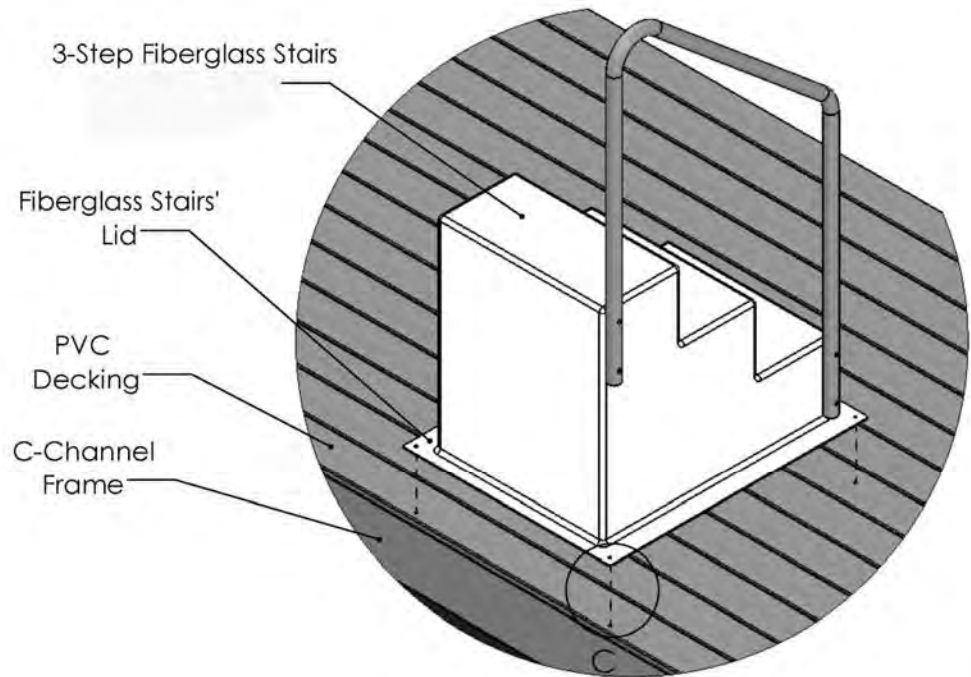


STEP TWO

Once the Fiberglass Stairs position is determined ensure that the Fiberglass Stairs' lid aligns with aluminum float frame. See Detail B.



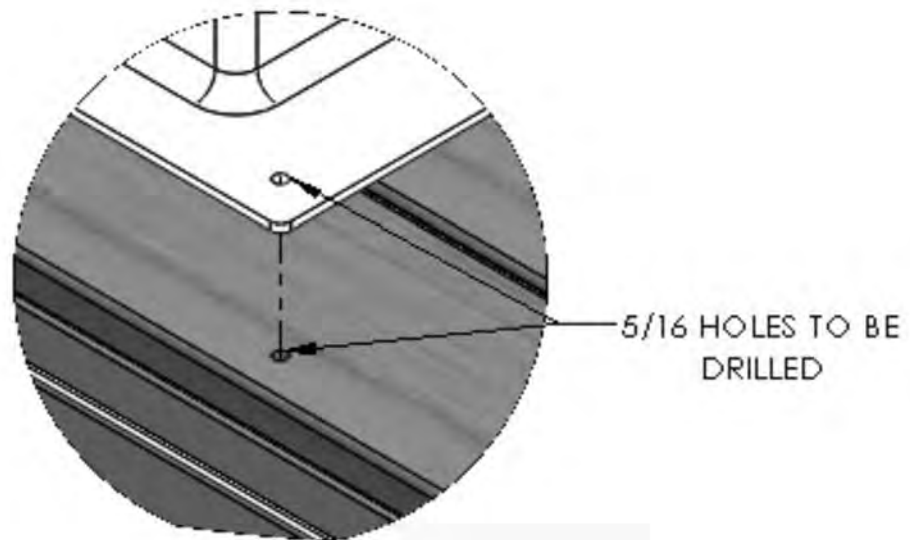
DETAIL B
SCALE 1 : 20



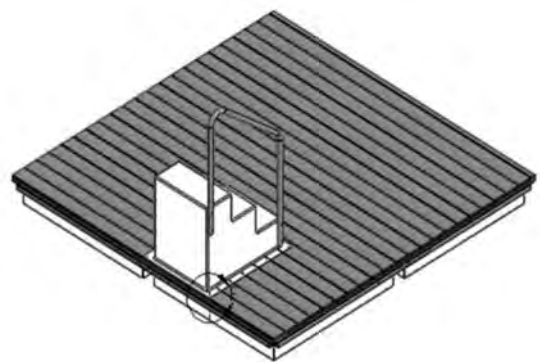
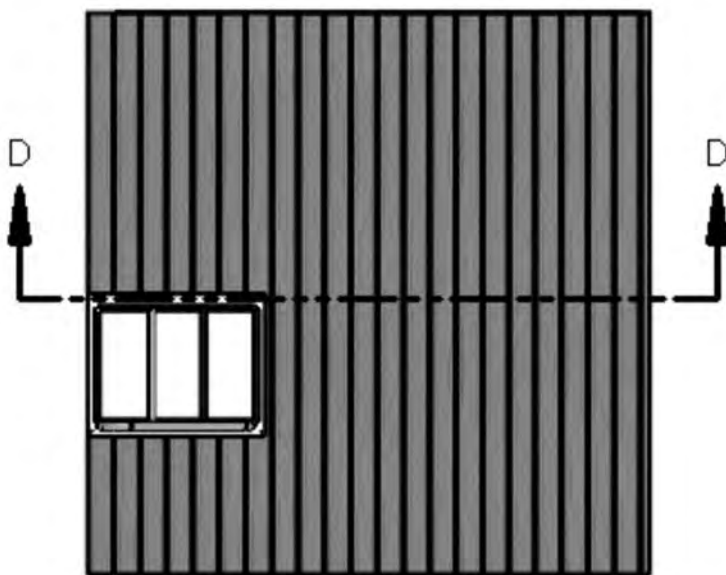
STEP THREE

Once the Fiberglass Stairs is aligned and in position using a 5/16" drill bit, drill thru all holes. Drill beginning with the Fiberglass Stairs and ending with the aluminum float frame. Make sure that the holes do not interfere with any existing hardware. See Detail C and D.

DETAIL C
SCALE 1 : 4



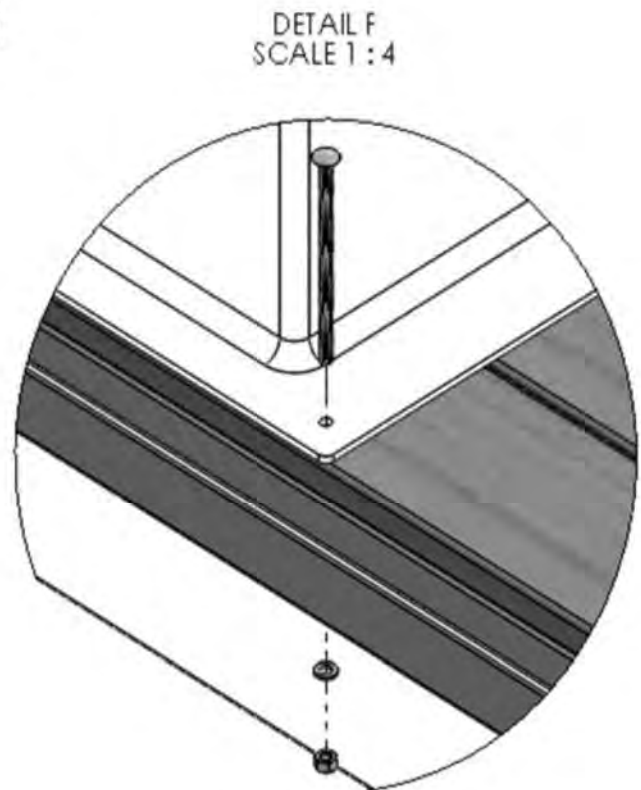
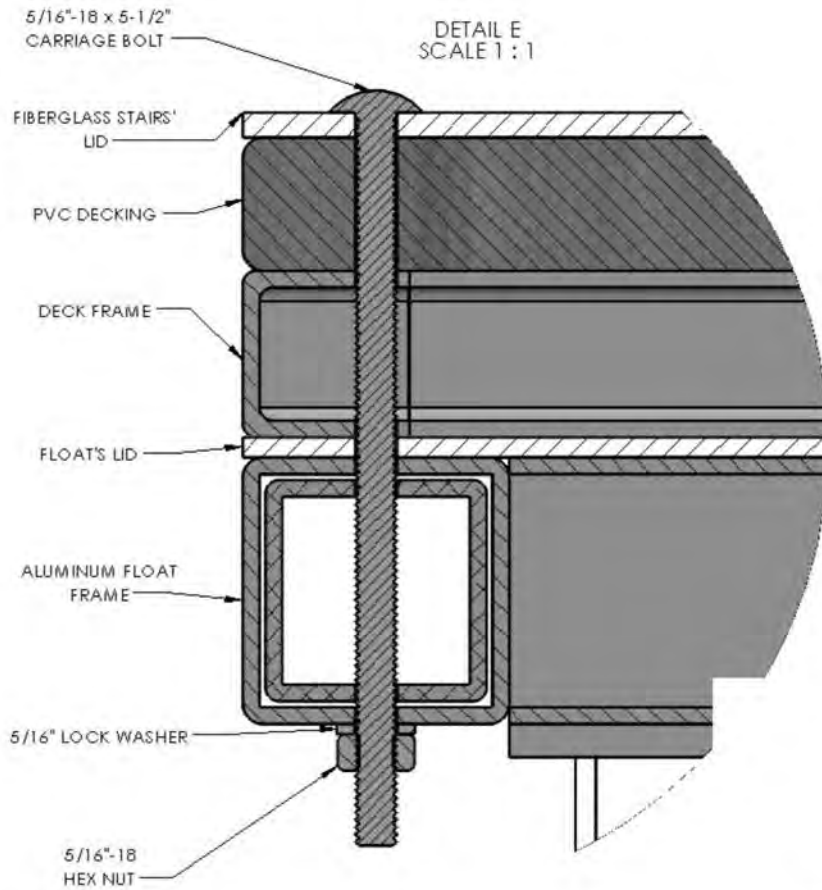
TOP VIEW



SECTION D-D

STEP FOUR

After drilling the mounting holes (3-4), insert 5/16" carriage bolts from the top. Insert lock washers, and hex nuts from the bottom. Lastly, fasten the Fiberglass Stairs to the framed float. See Detail E and F.

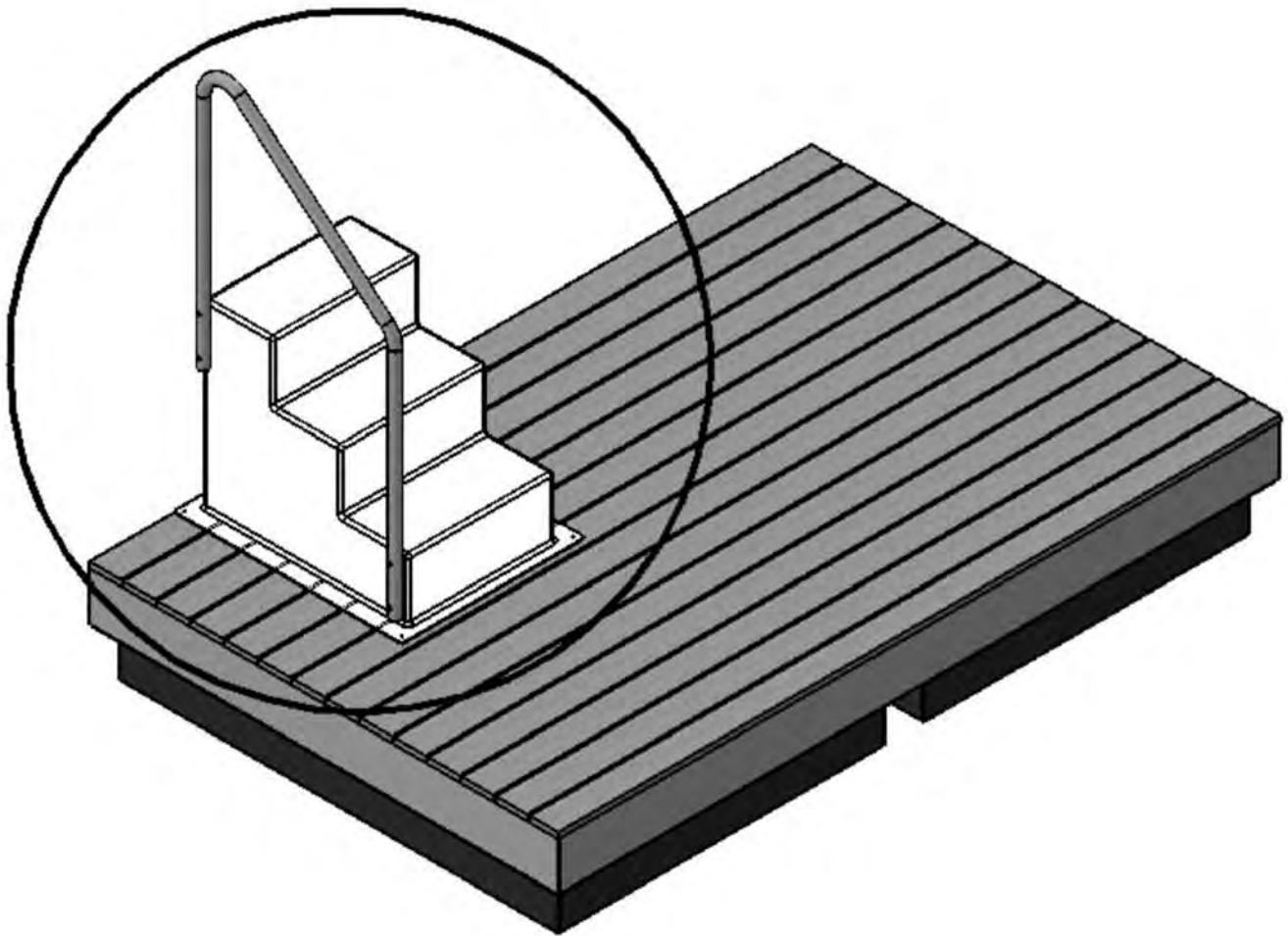




FOR MORE INFORMATION CALL 954.785.7557 OR
EMAIL SALES@ACCUDOCK.COM



INSTALLATION INSTRUCTIONS



Fiberglass Stairs to Aluminum Floating Dock


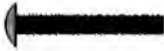


BEFORE INSTALLATION

Thank you for your purchase with AccuDock. Our products have been constructed for durability and designed for easy installation. Please take the time to read these instructions carefully before installing your accessory.

Check your package carefully to ensure you have all parts and hardware listed below. Should you be missing any of the hardware please contact us.

PARTS LIST

While unpacking, please be sure to not discard any of the parts. Set them aside on a flat surface and ensure all parts are present prior to installation.

Part	Qty	
Fiberglass Stairs* (ACC-3SS or ACC-4SS)	1	
5/16"-18 x 2-1/2" Carriage Bolt	3	
5/16" Lock Washer	3	
5/16"-18 Hex Nut	3	

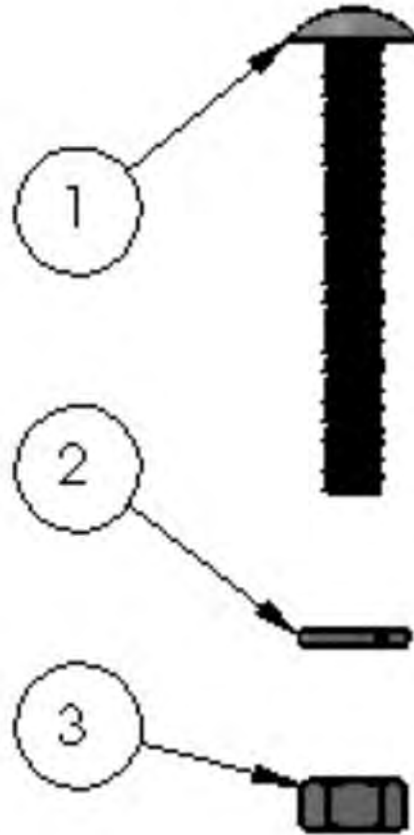
* Images shown reference 3-Step Fiberglass Stairs. Same installation instructions apply to all Fiberglass Stairs.

TOOLS NEEDED

Cordless Drill with 5/16" drill bit

Allen Wrench

HARDWARE LIST



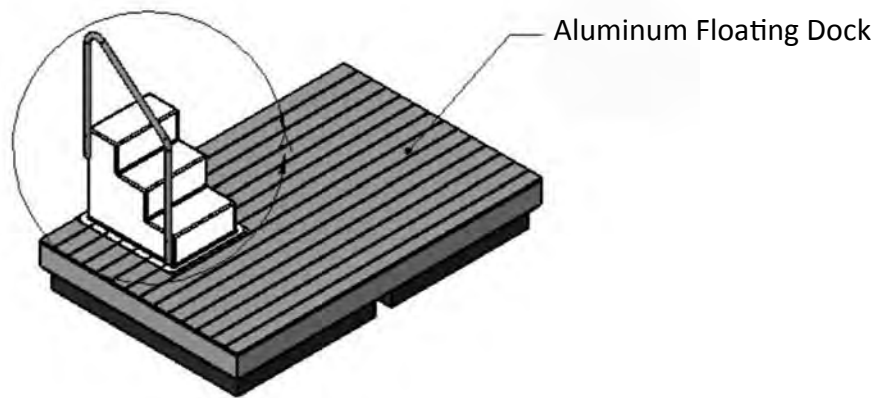
Label	Description
1	5/16"-18 x 2-1/2" Carriage Bolt
2	5/16" Lock Washer
3	5/16"-18 Hex Nut

STEP ONE

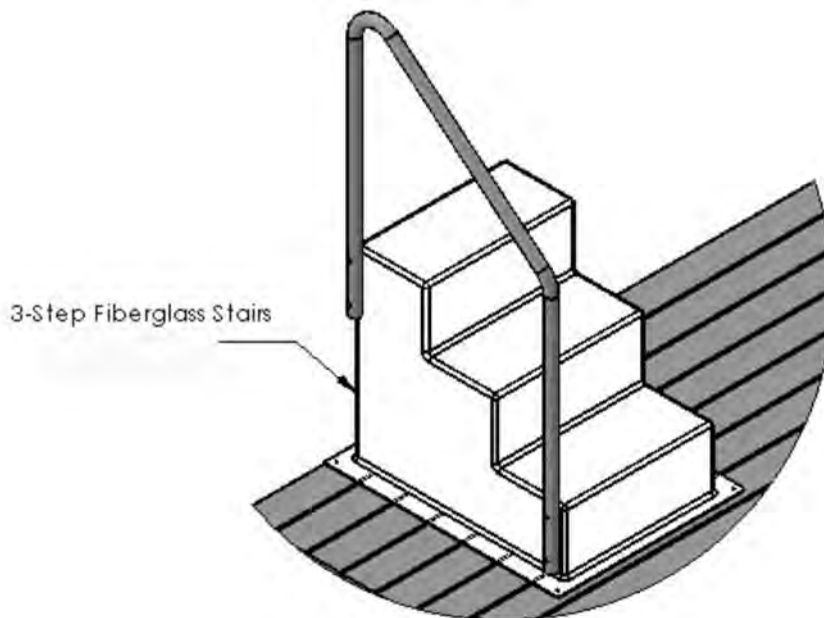
Determine the Fiberglass Stairs position, it will be bolted to the C-Channel top lip using 5/16" hardware. Holes will have to be drilled through the Fiberglass Stairs lid, PVC Decking, and the C-Channel top lip of the Aluminum frame.

See Detail A.

Note: Fiberglass Stairs location varies according to customer needs requirements.

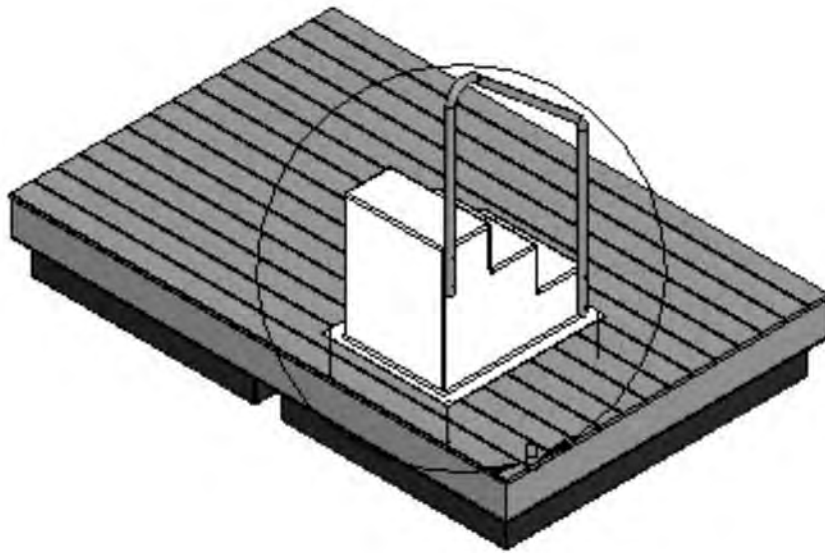


DETAIL A
SCALE 1 : 20

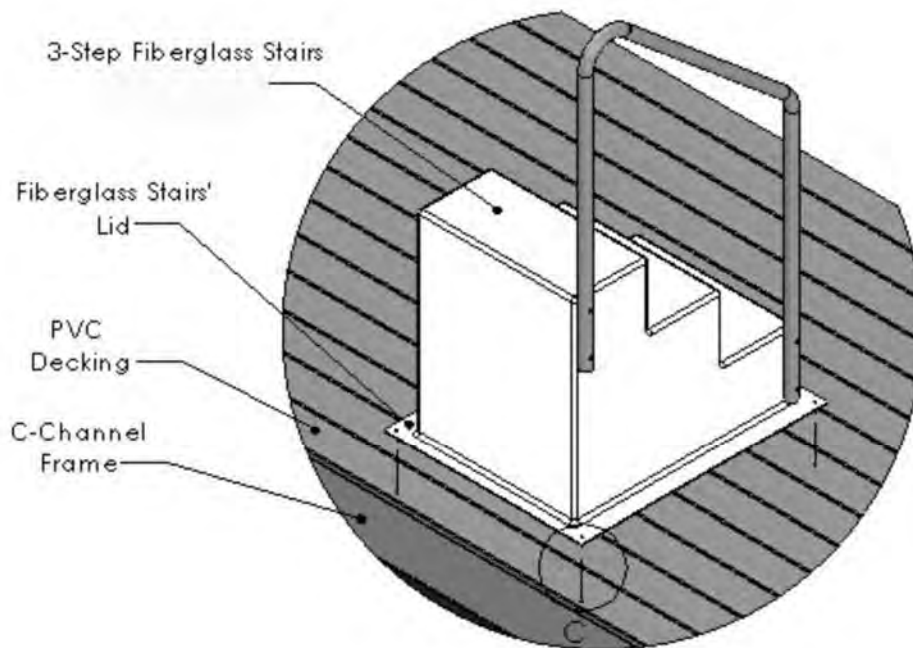


STEP TWO

Once the Fiberglass Stairs position is determine ensure that the Fiberglass Stairs' lid aligns with the C-Channel. See Detail B.



DETAIL B
SCALE 1 : 20

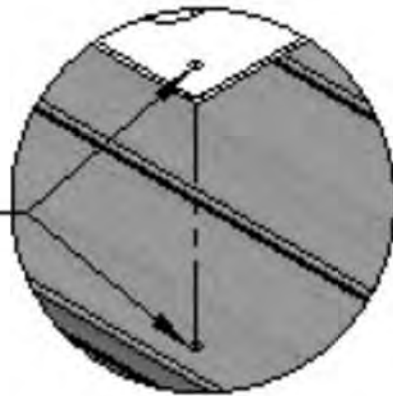


STEP THREE

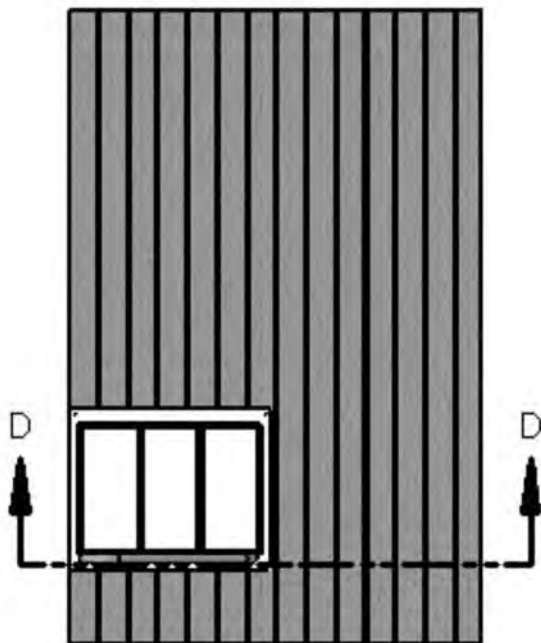
Once the Fiberglass Stairs are aligned and in position, using a 5/16" drill bit, drill blind holes. Drill beginning with the fiberglass stairs' lid, and ending with the C-Channel top lip. Make sure that the holes do not interfere with any existing hardware. See Detail C and D.

DETAIL C
SCALE 1 : 8

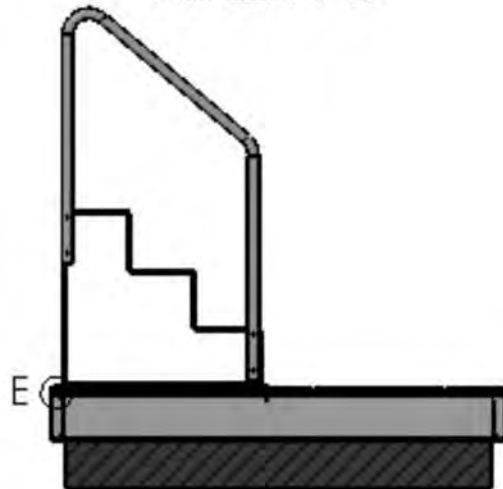
5/16" Holes to be
Drilled



TOP VIEW



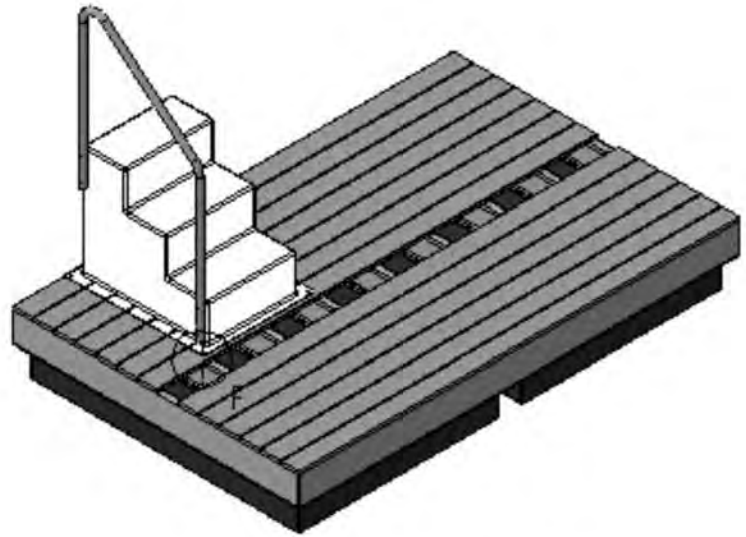
SECTION D-D
SCALE 1 : 40



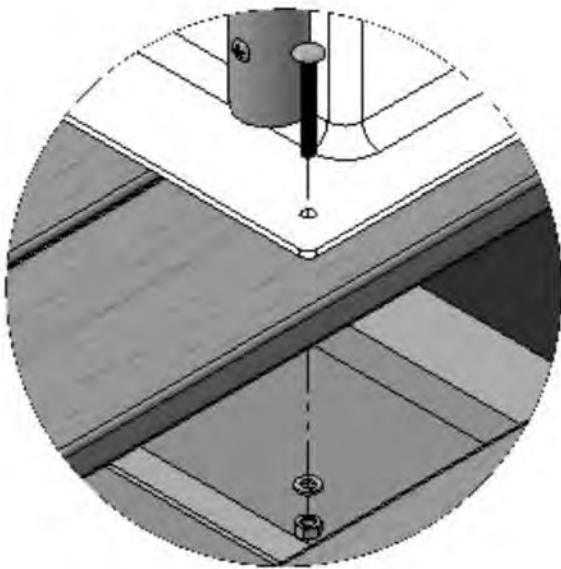
SECTION D-D
SCALE 1 : 40

STEP FOUR

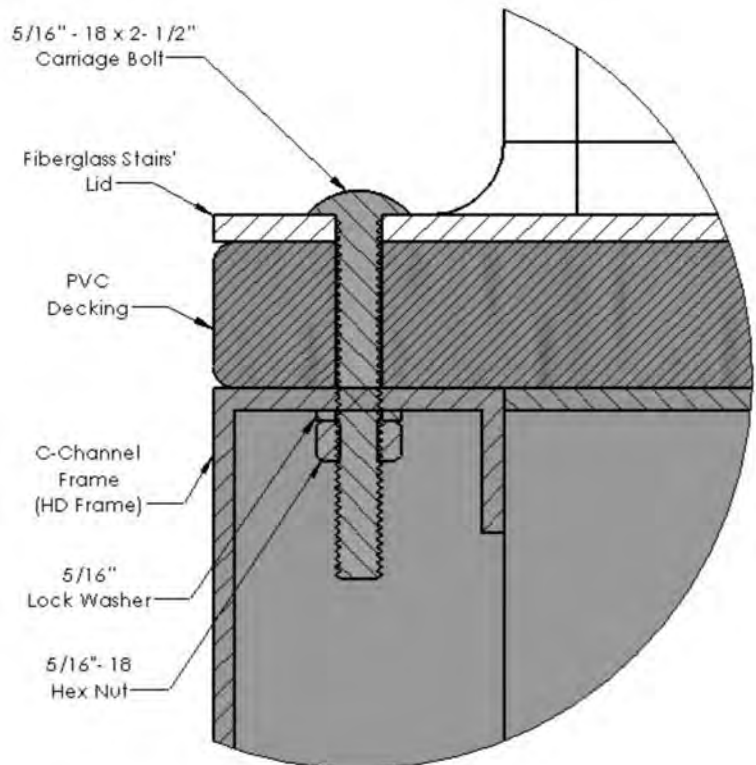
After drilling the mounting holes (3-4), remove the boards located adjacent to where the Step Fiberglass Stairs will be located. Insert 5/16" carriage bolt from the top. Insert 5/16" lock washers, and hex nuts from the bottom. Lastly, Fasten the Fiberglass Stairs to the C-Channel top lip and install the previously removed boards. See Detail E and F.



DETAIL F
SCALE 1 : 4



DETAIL E
SCALE 1 : 1

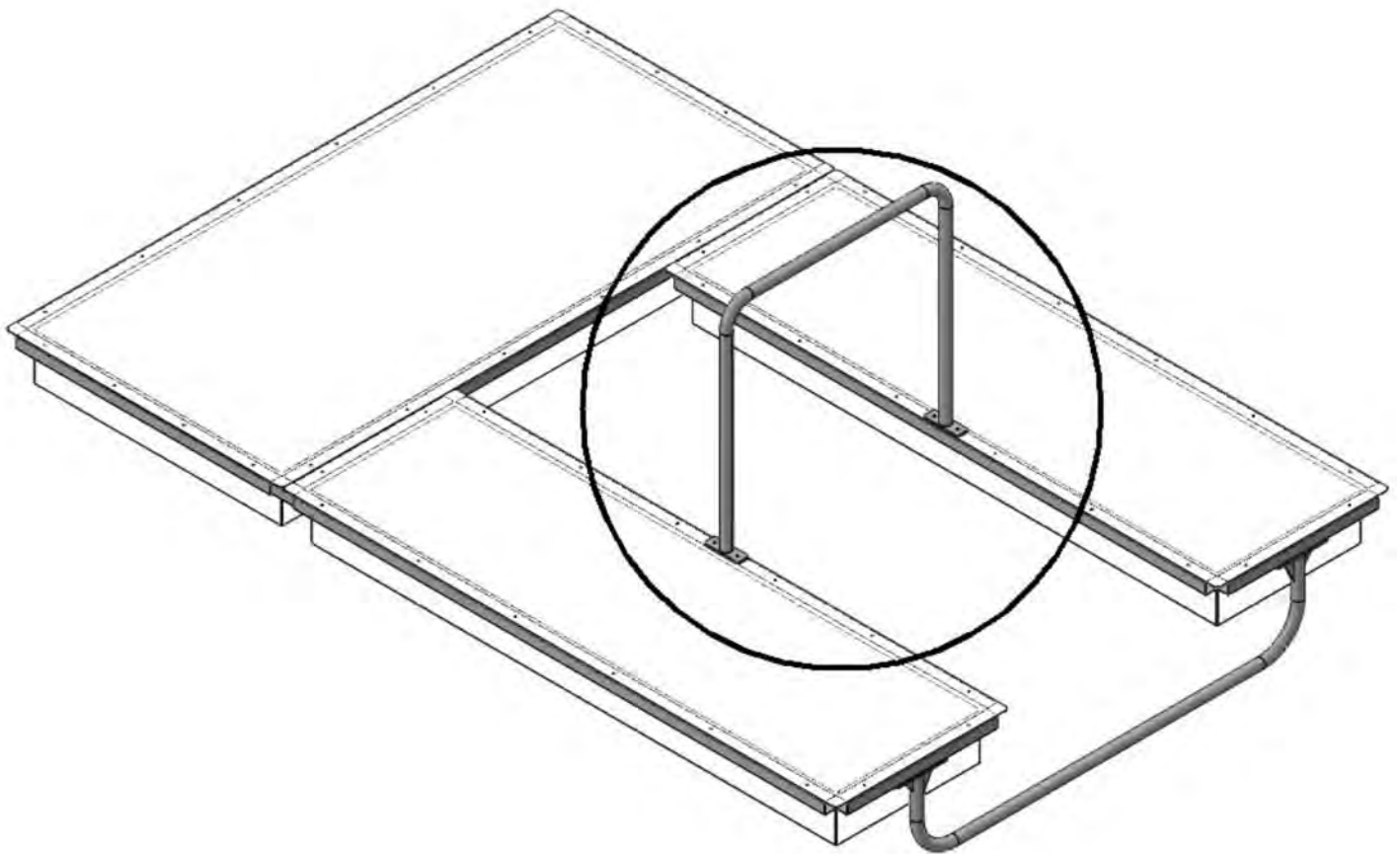




FOR MORE INFORMATION CALL 954.785.7557 OR
EMAIL SALES@ACCUDOCK.COM



INSTALLATION INSTRUCTIONS



Overhead Assist Bar






BEFORE INSTALLATION

Thank you for your purchase with AccuDock. Our products have been constructed for durability and designed for easy installation. Please take the time to read these instructions carefully before installing your accessory.

Check your package carefully to ensure you have all parts and hardware listed below. Should you be missing any of the hardware please contact us.

PARTS LIST

While unpacking, please be sure to not discard any of the parts. Set them aside on a flat surface and ensure all parts are present prior to installation.

Part	Qty	
Overhead Assist Bar (ACC-OA3 or (ACC-OA4)	1	
3/8"-16 x 3- 1/4" Hex Bolt	4	
3/8" Flat Washer	8	
3/8" Lock Washer	4	
3/8"-16 Hex Nut	4	

TOOLS NEEDED

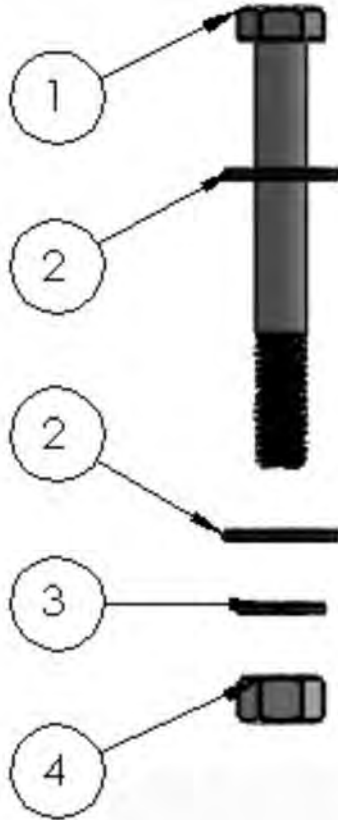
Cordless Drill with 3/8" drill bit

Hammer/Mallet

Ratchet with 9/16" Socket

Allen Wrench

HARDWARE LIST

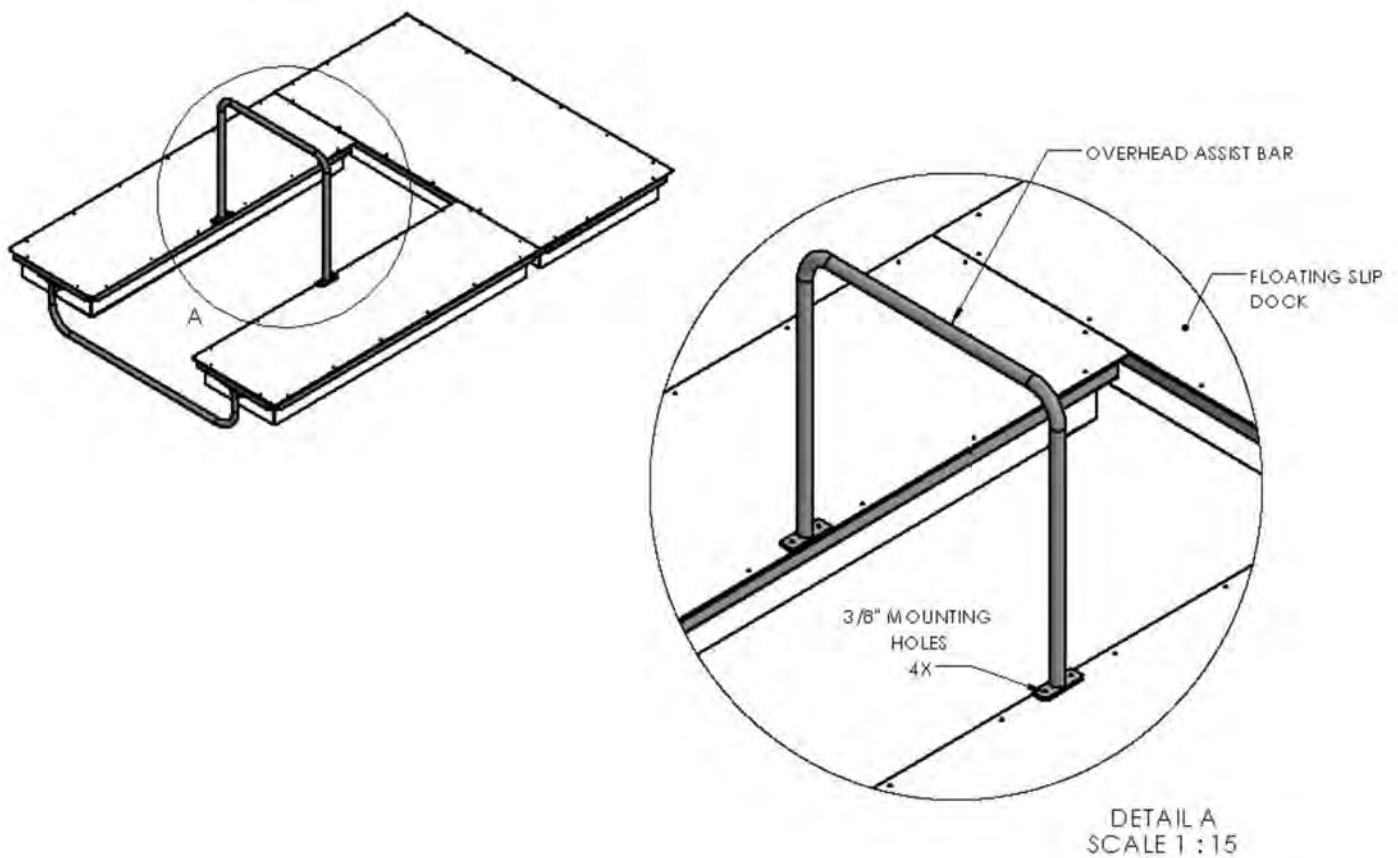


Label	Description
1	3/8"-16 x 3- 1/4" Hex Bolt
2	3/8" Flat Washer
3	3/8" Lock Washer
4	3/8"-16 Hex Nut

STEP ONE

The Overhead Assist Bar will be bolted to the aluminum dock frame using 3/8" hardware. Holes will have to be drilled through the float's lid and aluminum float frame. See Detail A.

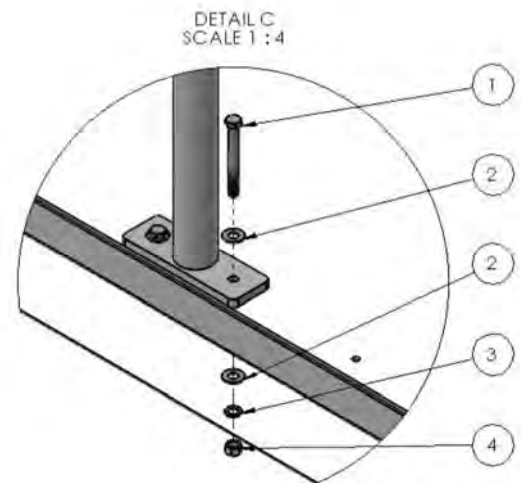
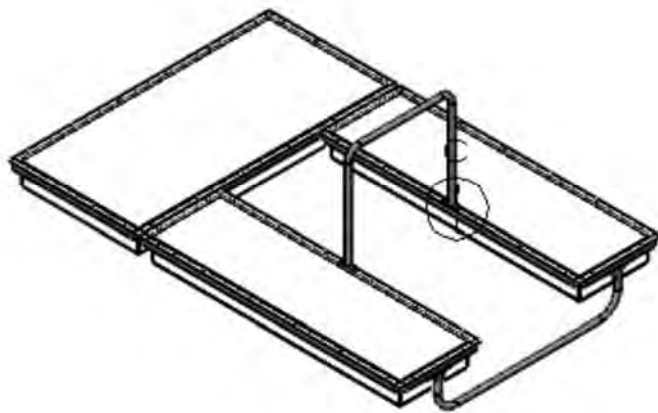
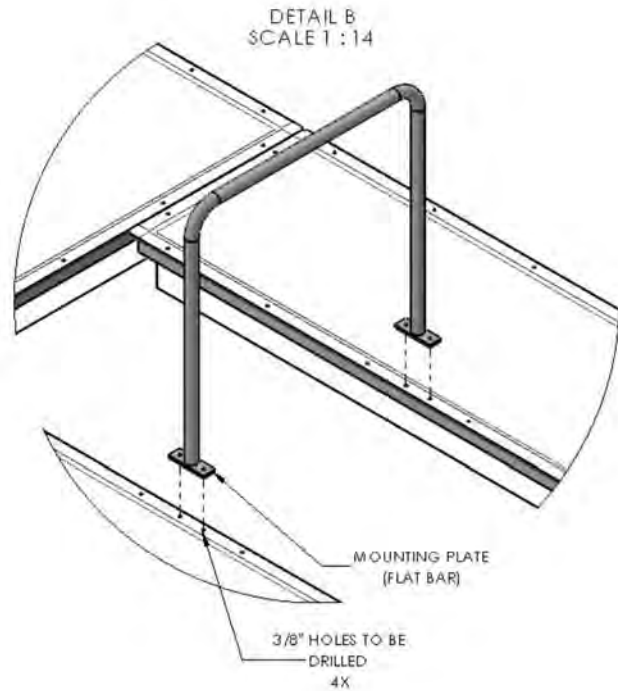
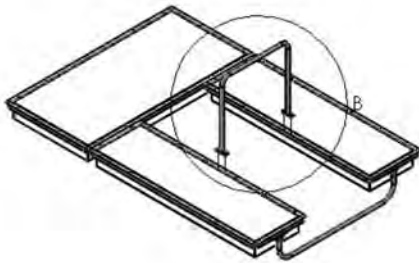
Note: Overhead Assist Bar location varies according to customer needs/requirements.



STEP TWO

Next, Using a 3/8" drill bit, use the existing holes on the overhead assist bar mounting plates (flat bar) and drill 4 holes through the float's lid and aluminum float frame. Make sure the holes will not interfere with any existing hardware. See Detail B.

After drilling the 4 mounting holes, insert the 3/8" hex bolts and flat washers from the top. Insert flat washers, lock washers, and hex nuts from the bottom. Fasten the overhead assist bar to the framed floats. See Detail C.

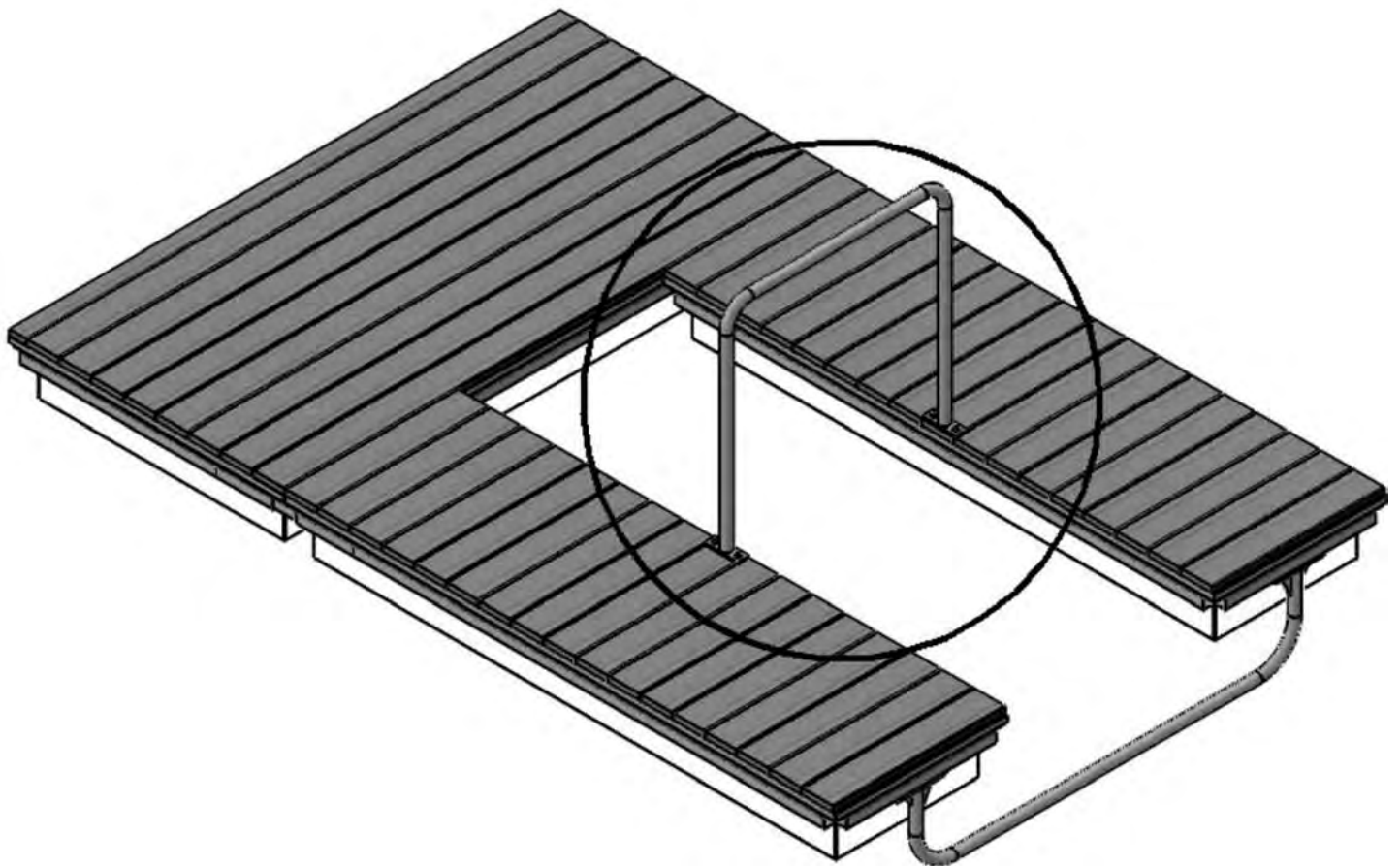




FOR MORE INFORMATION CALL 954.785.7557 OR
EMAIL SALES@ACCUDOCK.COM
WWW.ACCUDOCK.COM



INSTALLATION INSTRUCTIONS



Overhead Assist Bar to Decked Dock






BEFORE INSTALLATION

Thank you for your purchase with AccuDock. Our products have been constructed for durability and designed for easy installation. Please take the time to read these instructions carefully before installing your accessory.

Check your package carefully to ensure you have all parts and hardware listed below. Should you be missing any of the hardware please contact us.

PARTS LIST

While unpacking, please be sure to not discard any of the parts. Set them aside on a flat surface and ensure all parts are present prior to installation.

Part	Qty	
Overhead Assist Bar (ACC-OA3 or (ACC-OA4)	1	
3/8"-16 x 5- 1/2" Hex Bolt	4	
3/8" Flat Washer	8	
3/8" Lock Washer	4	
3/8"-16 Hex Nut	4	

TOOLS NEEDED

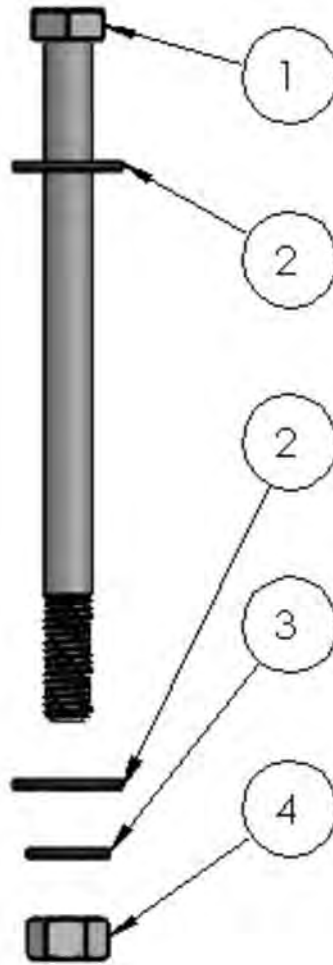
Cordless Drill with 3/8" drill bit

Hammer/Mallet

Ratchet with 9/16" Socket

Allen Wrench

HARDWARE LIST

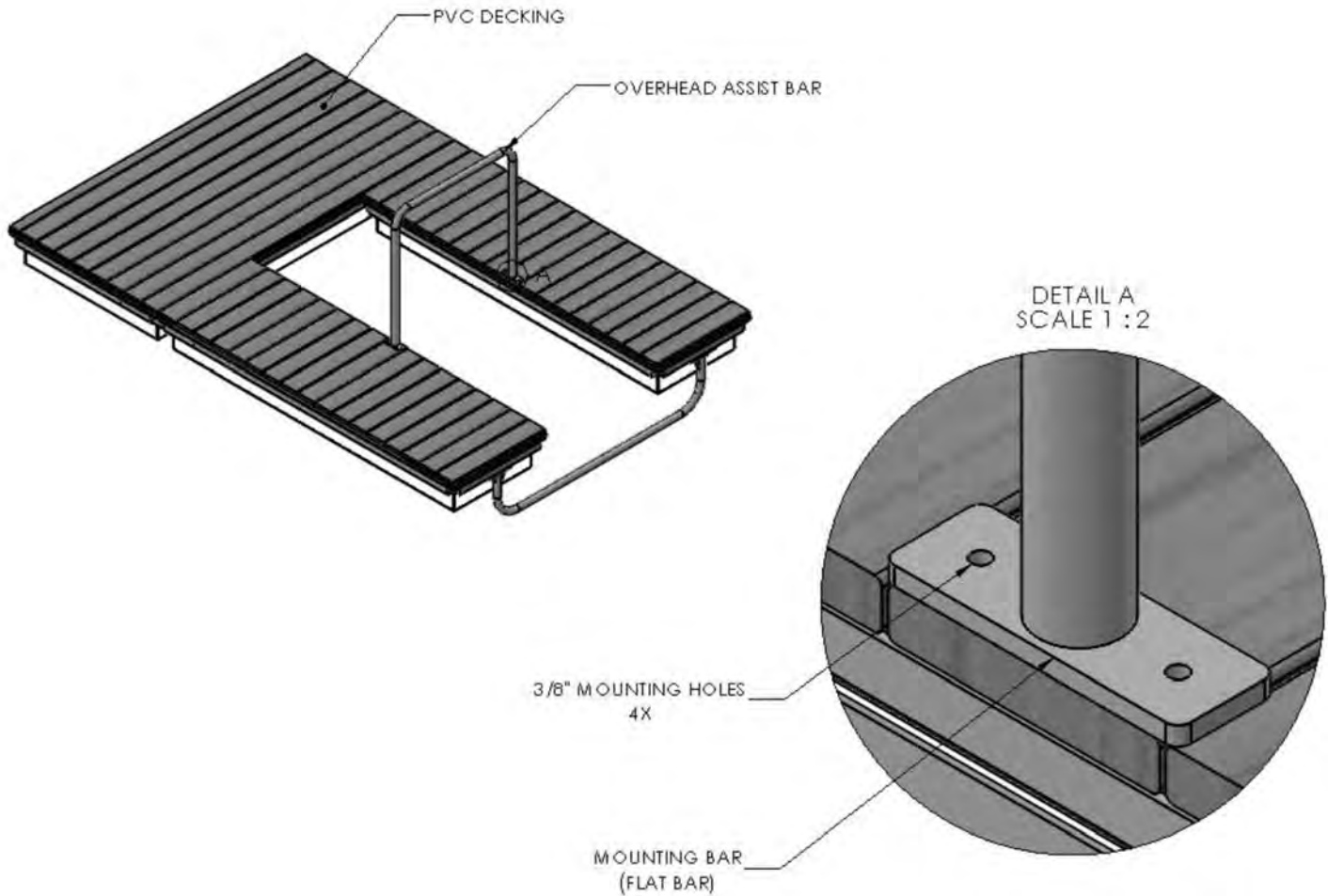


Label	Description
1	3/8"-16 x 5- 1/2" Hex Bolt
2	3/8" Flat Washer
3	3/8" Lock Washer
4	3/8"-16 Hex Nut

STEP ONE

The Overhead Assist Bar will be bolted to the aluminum float frame using 3/8" hardware. Holes will have to be drilled through the PVC decking, deck frame, float's lid, and aluminum float frame. See Detailed A.

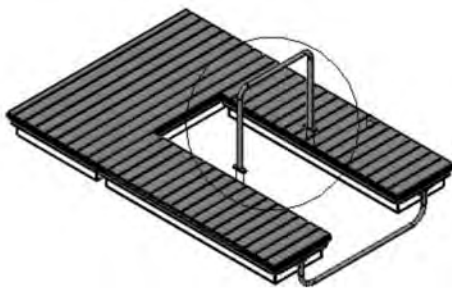
Note: Overhead Assist Bar location varies according to customer needs/requirements.



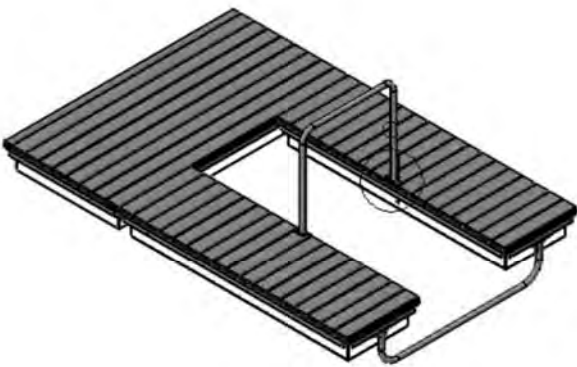
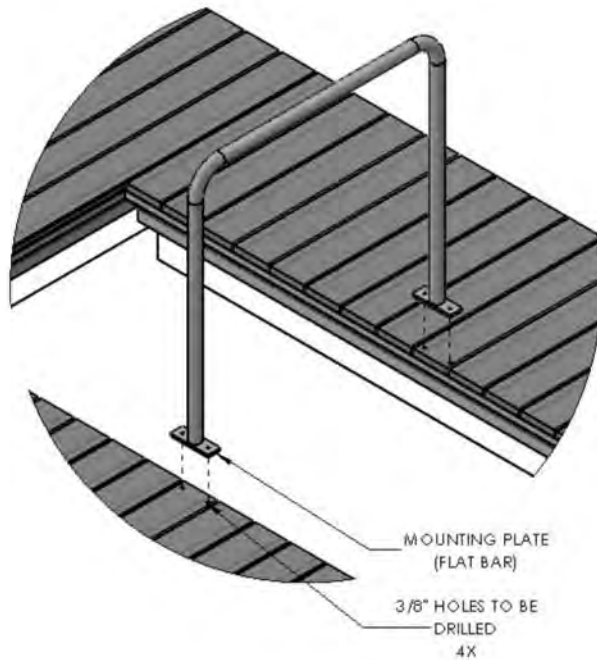
STEP TWO

Next, using a 3/8" drill bit, use the existing holes on the overhead assist bar mounting plates (flat bar) and drill 4 through all holes, beginning with the PVC decking and ending with the float aluminum frame. Make sure the holes will not interfere with any existing hardware. See Detail B.

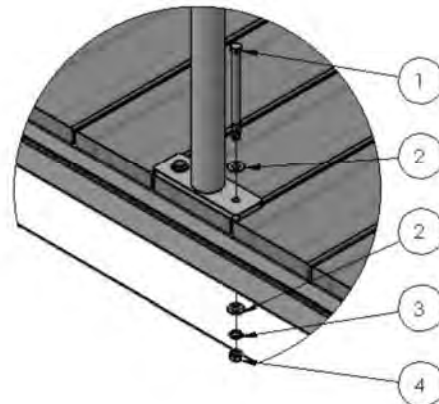
After drilling the 4 mounting holes, insert the 3/8" hex bolts and flat washers from the top. Insert flat washers, lock washers, and hex nuts from the bottom. Fasten the overhead assist bar to the framed floats. See Detail C.



DETAIL B
SCALE 1 : 14



DETAIL C
SCALE 1 : 6

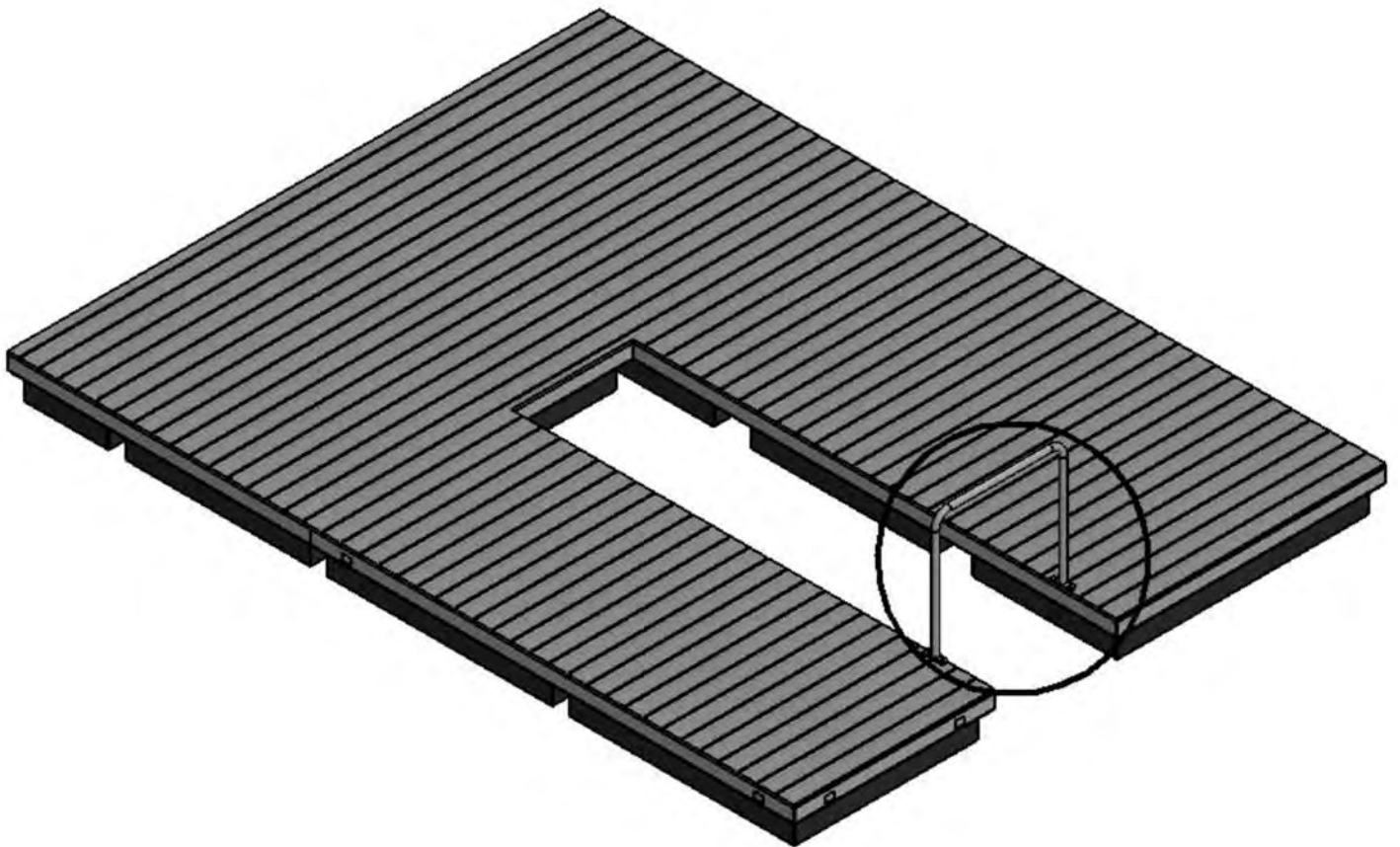




FOR MORE INFORMATION CALL 954.785.7557 OR
EMAIL SALES@ACCUDOCK.COM
WWW.ACCUDOCK.COM



INSTALLATION INSTRUCTIONS



Overhead Assist Bar to Aluminum Floating Dock






BEFORE INSTALLATION

Thank you for your purchase with AccuDock. Our products have been constructed for durability and designed for easy installation. Please take the time to read these instructions carefully before installing your accessory.

Check your package carefully to ensure you have all parts and hardware listed below. Should you be missing any of the hardware please contact us.

PARTS LIST

While unpacking, please be sure to not discard any of the parts. Set them aside on a flat surface and ensure all parts are present prior to installation.

Part	Qty	
Overhead Assist Bar (ACC-OA3 or (ACC-OA4)	1	
3/8"-16 x 2- 1/2" Hex Bolt	4	
3/8" Flat Washer	8	
3/8" Lock Washer	4	
3/8"-18 Hex Nut	4	

TOOLS NEEDED

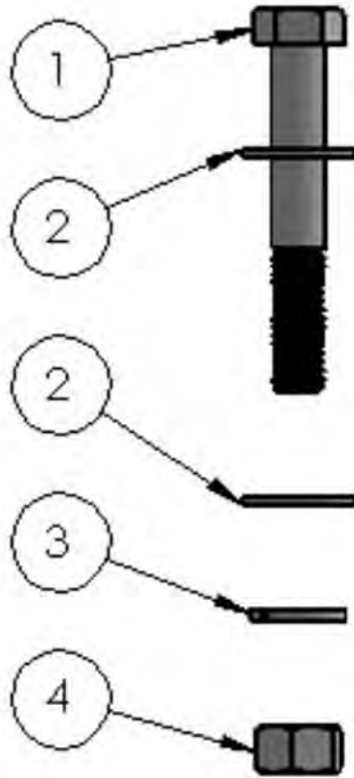
Cordless Drill with 3/8" drill bit

Hammer/Mallet

Ratchet with 9/16" Socket

Allen Wrench

HARDWARE LIST

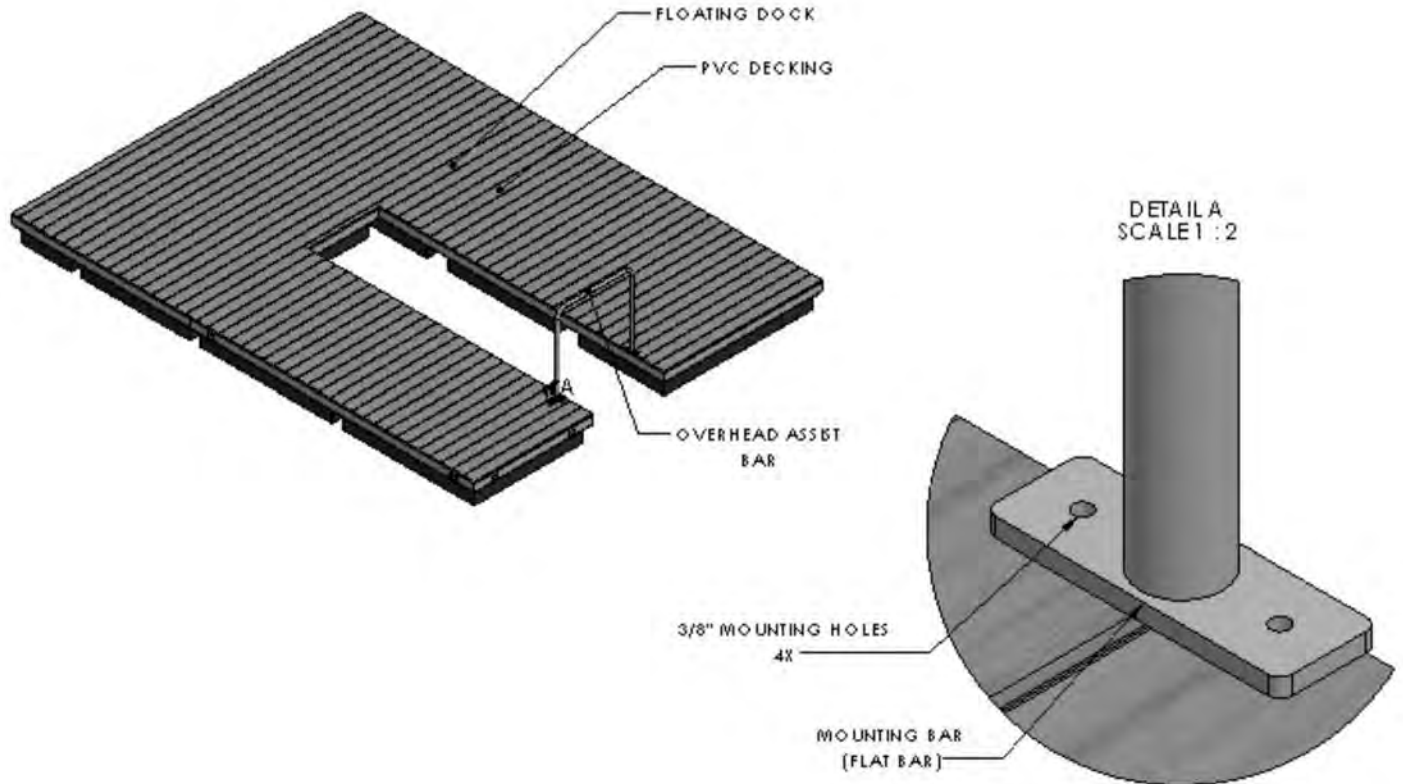


Label	Description
1	3/8"-16 x 2- 1/2" Hex Bolt
2	3/8" Flat Washer
3	3/8" Lock Washer
4	3/8"-16 Hex Nut

STEP ONE

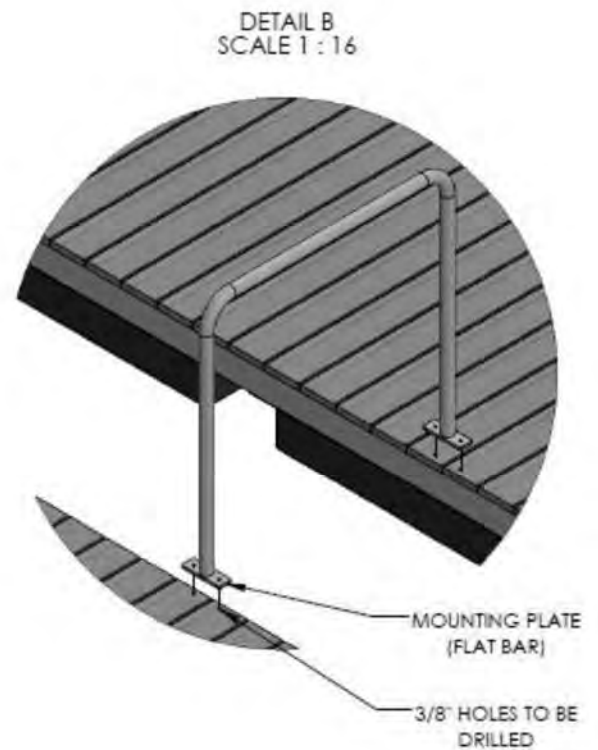
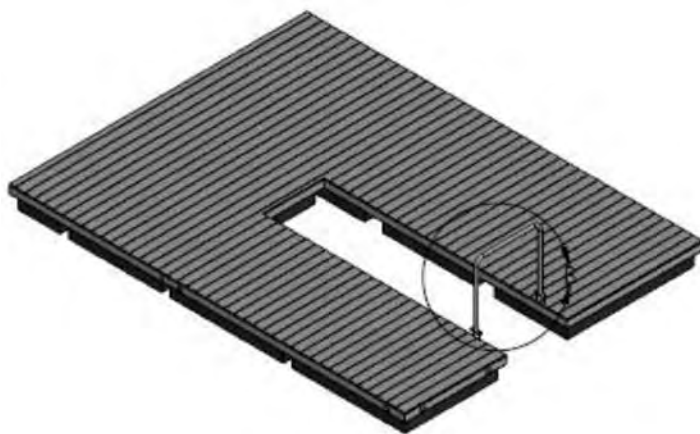
The Overhead Assist Bar will be bolted to the C-Channel top lip heavy duty frame using 3/8" hardware. The holes will have to be drilled through the PVC decking, and C-Channel top lip (heavy duty frame). See Detail A.

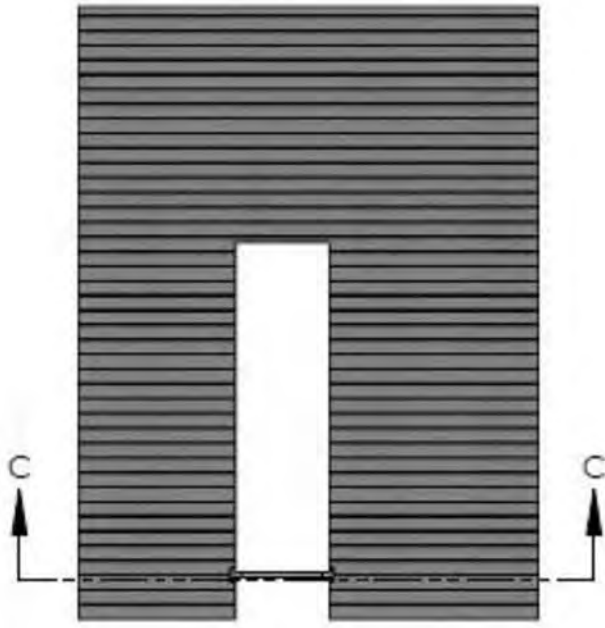
Note: Overhead Assist Bar location varies according to customers needs/requirements.



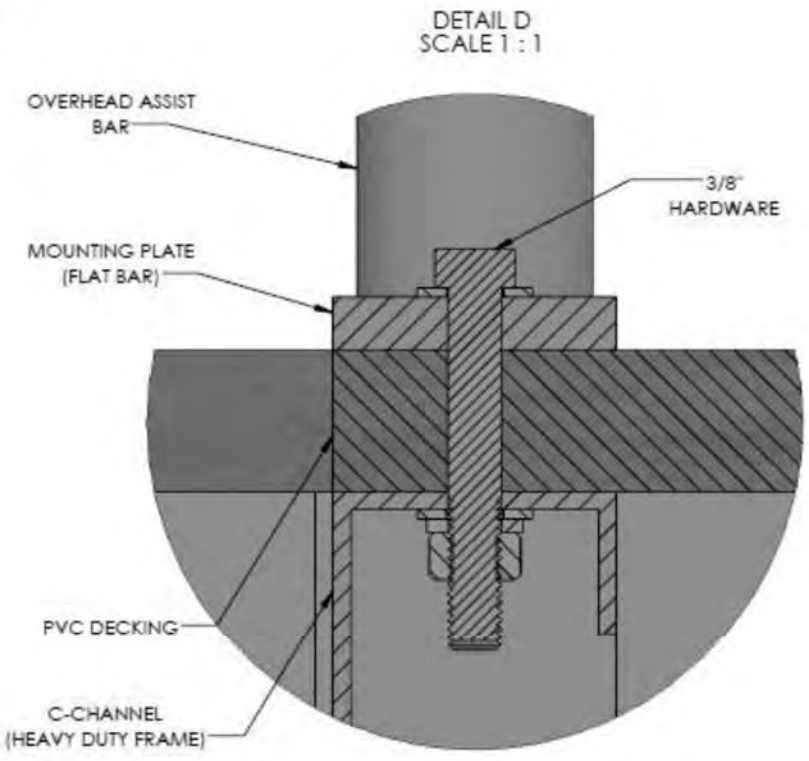
STEP TWO

Next, using a drill with a 3/8" drill bit use the existing holes on the Overhead Assist Bar mounting plates as a guide and drill 4 blind holes, beginning with PVC decking and ending with the C-Channel top lip (heavy duty frame). Make sure that the holes do not interfere with any existing hardware. See Detail B.



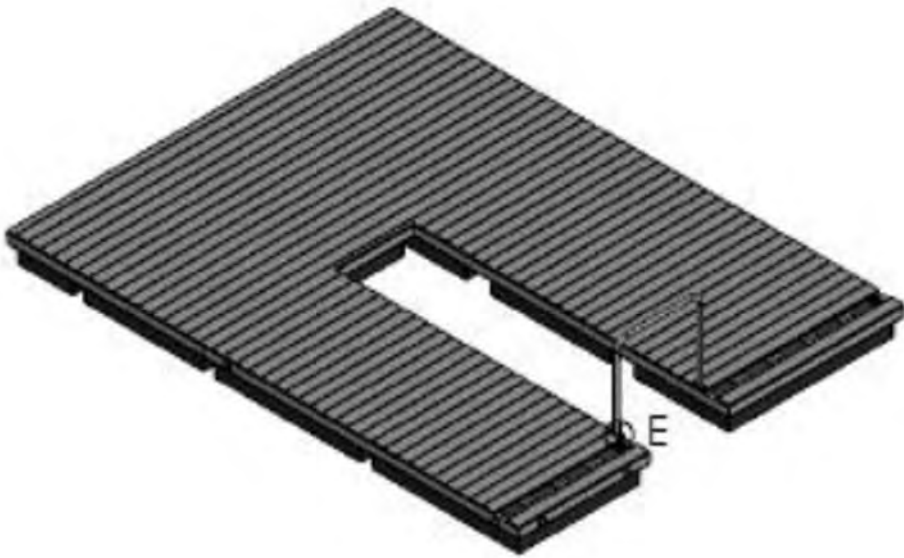


SECTION C-C
SCALE 1 : 70

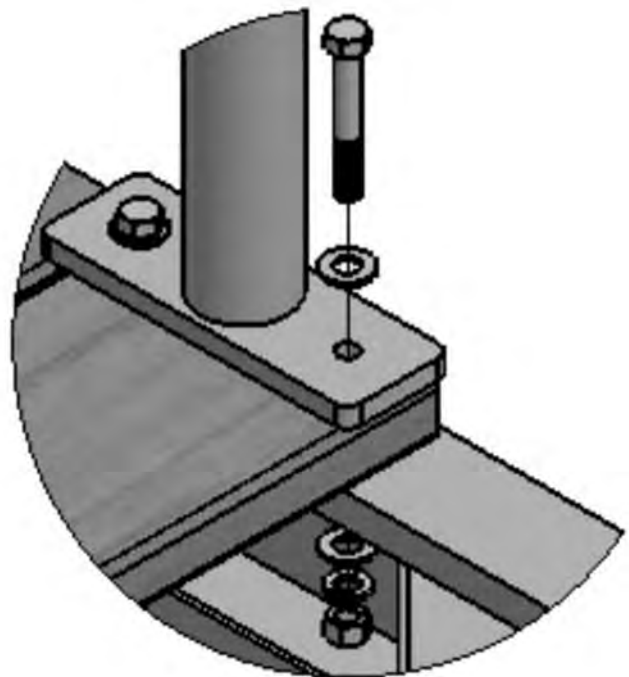


STEP THREE

Once the four 3/8" holes have been drilled, remove the deck boards adjacent to where the Overhead Assist Bar will be located. Insert the 3/8" hex bolts and flat washers from the top. Insert flat washers, lock washers and hex nuts from the bottom. Lastly, fasten the Overhead Assist Bar to the C-Channel's top lip and install the previously removed boards. See Detail E.



DETAIL E
SCALE 1 : 4

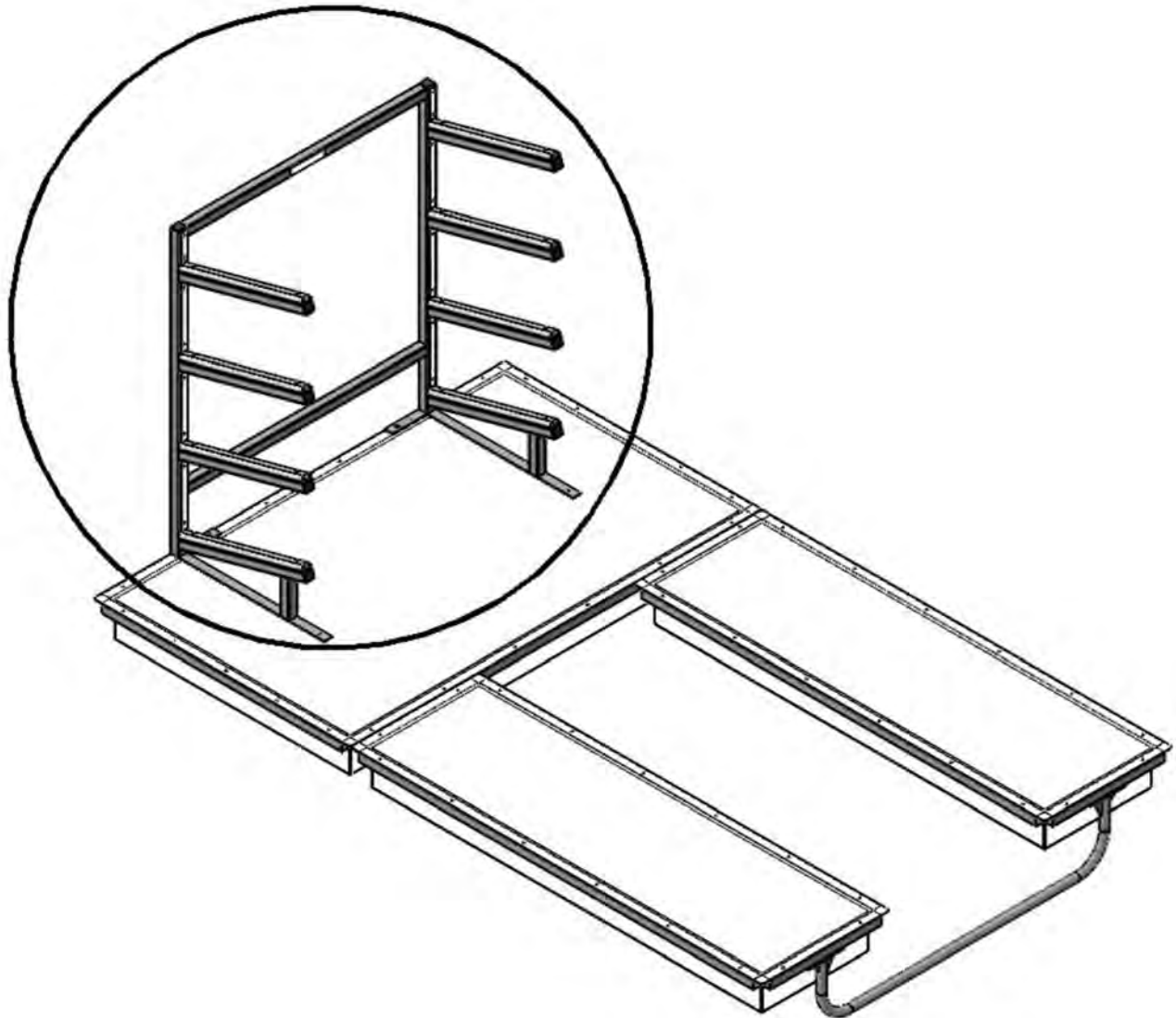




FOR MORE INFORMATION CALL 954.785.7557 OR
EMAIL SALES@ACCUDOCK.COM



INSTALLATION INSTRUCTIONS



Paddle Sport Storage Rack






BEFORE INSTALLATION

Thank you for your purchase with AccuDock. Our products have been constructed for durability and designed for easy installation. Please take the time to read these instructions carefully before installing your accessory.

Check your package carefully to ensure you have all parts and hardware listed below. Should you be missing any of the hardware please contact us.

PARTS LIST

While unpacking, please be sure to not discard any of the parts. Set them aside on a flat surface and ensure all parts are present prior to installation.

Part	Qty	
Paddle Sport Storage Rack * (ACC-RAC2, ACC-RAC3, ACC-RAC4)	1	
3/8"-18 x 3-1/4" Hex Bolt	2	
3/8" Flat Washer	4	
3/8" Lock Washer	2	
3/8"-18 Hex Nut	2	

*Images shown reference 4-Tier Paddle Sport Storage Rack. Same installation instructions apply to all Paddle Sport Storage Racks.

TOOLS NEEDED

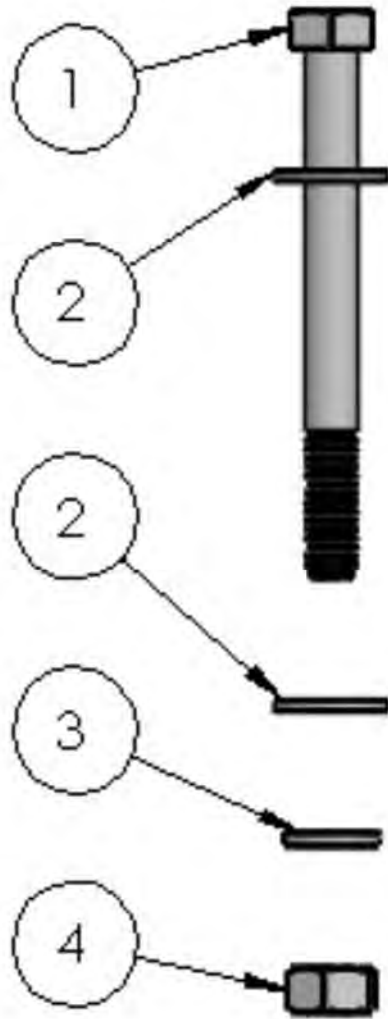
Cordless Drill with 3/8" drill bit

Hammer/Mallet

9/16" Wrench (2)

Allen Wrench

HARDWARE LIST

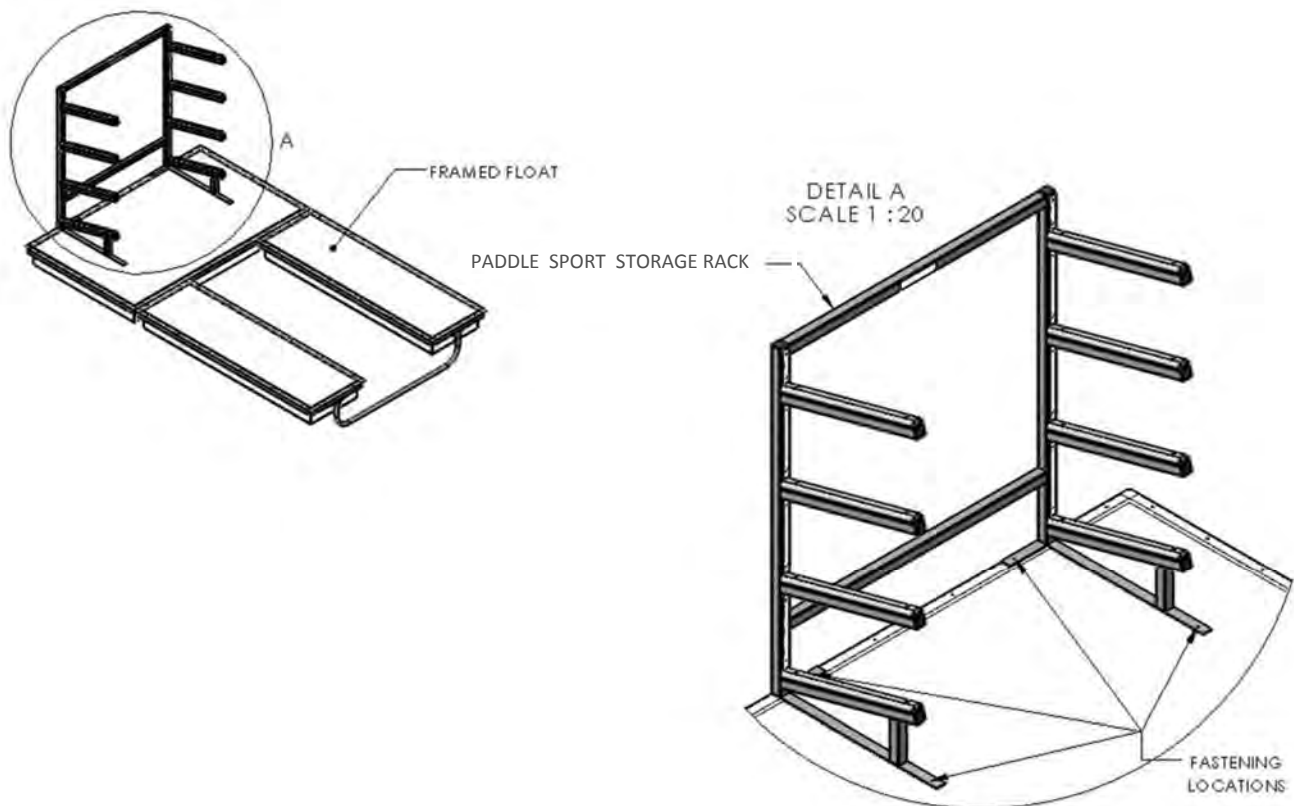


Label	Description
1	3/8"-18 x 3-1/4" Hex Bolt
2	3/8" Flat Washer
3	3/8" Lock Washer
4	3/8"-18 Hex Nut

STEP ONE

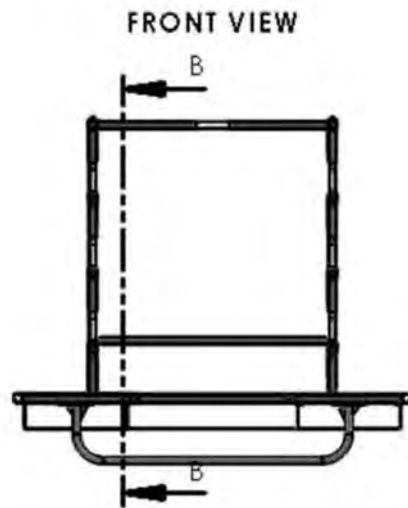
First determine the Paddle Sport Storage Rack's position. Once position has been determined, confirm which of the 4 fastening locations align with the float's aluminum frame. The rack requires at least 2 fastening locations to align with the float's aluminum frame. 3/8" holes will have to be drilled through the chosen fastening Paddle Sport Storage Rack locations (the ones that align with the float's aluminum frame), float's lid and float's aluminum frame. See Detail A.

Note: Rack location varies according to customer needs/requirements. Each Paddle Sport Storage Rack has 4 locations from where it can be fasten to the framed float.

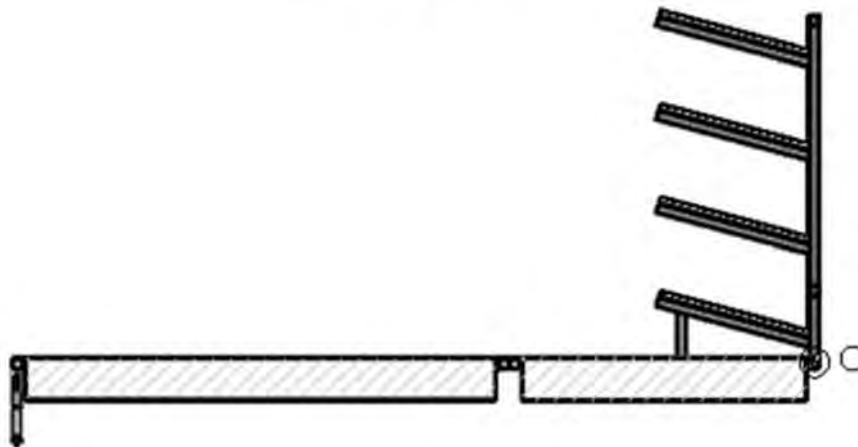


STEP TWO

Ensure that the Paddle Sport Storage Rack sits flush with the edge of the float's aluminum frame, as shown in the illustration. See Detail B.

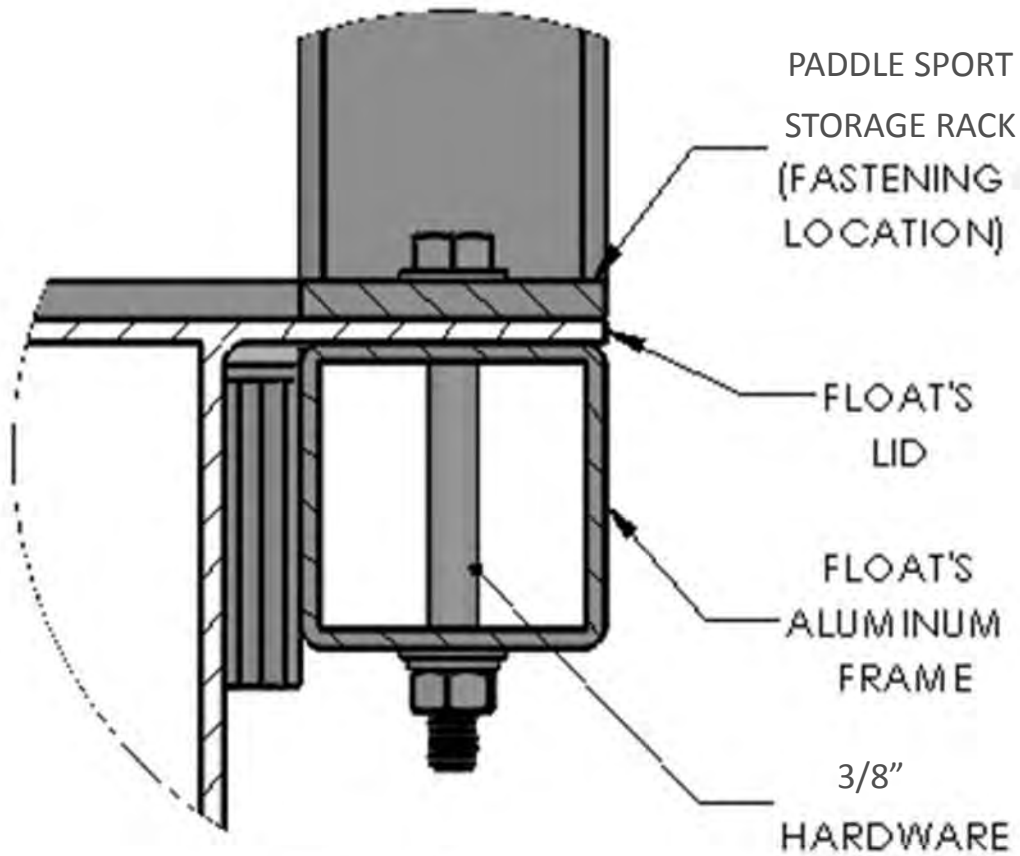


SECTION B-B
SCALE 1 : 40



STEP THREE

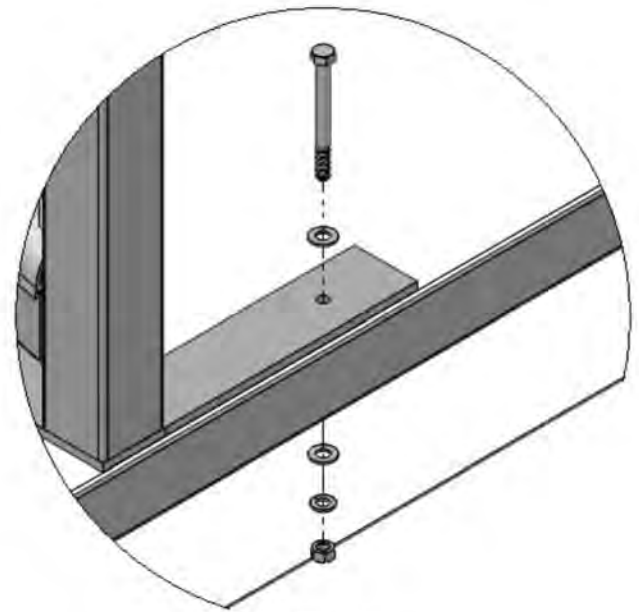
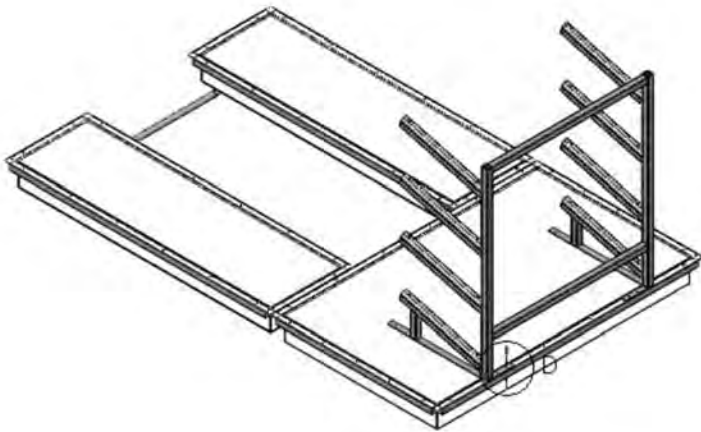
Next, using a drill with a 3/8" drill bit, drill through all holes. Begin with the Paddle Sport Storage Rack fastening locations, and ending with the float's aluminum frame. Make sure that the holes do not interfere with any existing hardware. See Detail C.



DETAIL C
SCALE 1 : 2

STEP FOUR

After drilling the mounting holes, insert 3/8" hex bolts, and flat washers from the top. Insert flat washers, lock washers, and hex nuts from the bottom. Lastly, fasten the Paddle Sport Storage Rack to the framed floats. See Detail D.



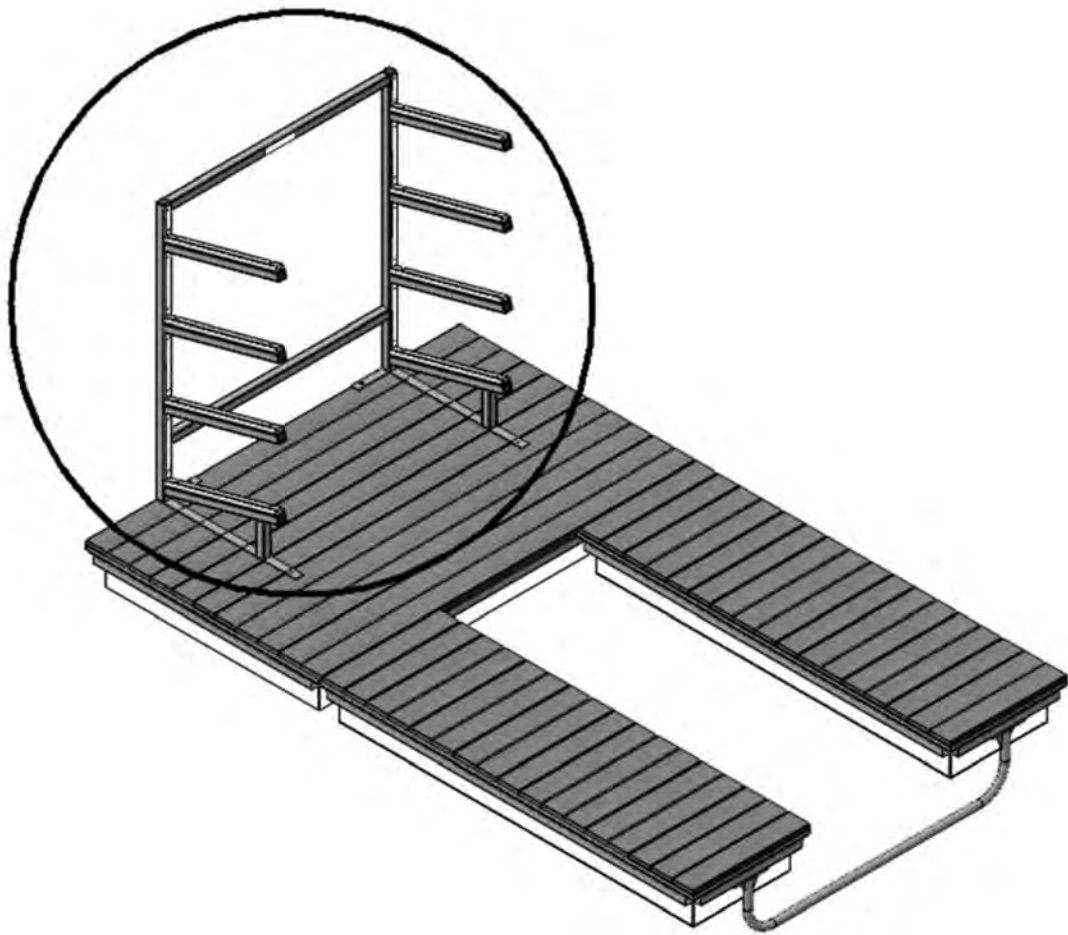
DETAIL D
SCALE 1 : 3



FOR MORE INFORMATION CALL 954.785.7557 OR
EMAIL SALES@ACCUDOCK.COM



INSTALLATION INSTRUCTIONS



Paddle Sport Storage Rack to Decked Dock






BEFORE INSTALLATION

Thank you for your purchase with AccuDock. Our products have been constructed for durability and designed for easy installation. Please take the time to read these instructions carefully before installing your accessory.

Check your package carefully to ensure you have all parts and hardware listed below. Should you be missing any of the hardware please contact us.

PARTS LIST

While unpacking, please be sure to not discard any of the parts. Set them aside on a flat surface and ensure all parts are present prior to installation.

Part	Qty	
Paddle Sport Storage Rack * (ACC-RAC2, ACC-RAC3, ACC-RAC4)	1	
3/8"-18 x 5-1/2" Hex Bolt	2	
3/8" Flat Washer	4	
3/8" Lock Washer	2	
3/8"-18 Hex Nut	2	

*Images shown reference 4-Tier Paddle Sport Storage Rack. Same installation instructions apply to all Paddle Sport Storage Racks.

TOOLS NEEDED

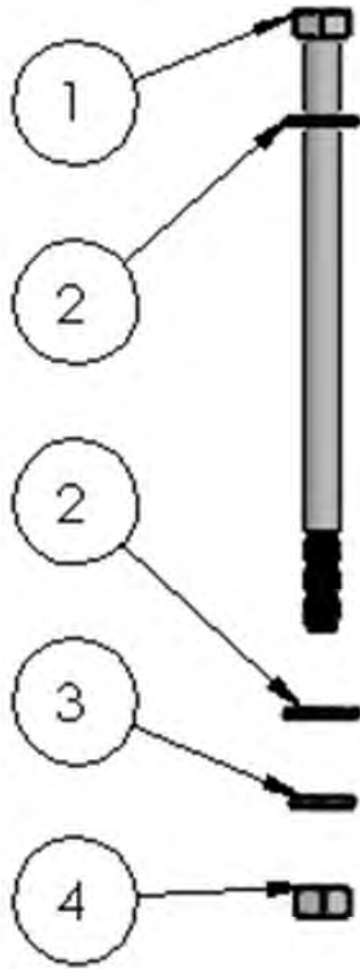
Cordless Drill with 3/8" drill bit

Hammer/Mallet

9/16" Wrench (2)

Allen Wrench

HARDWARE LIST

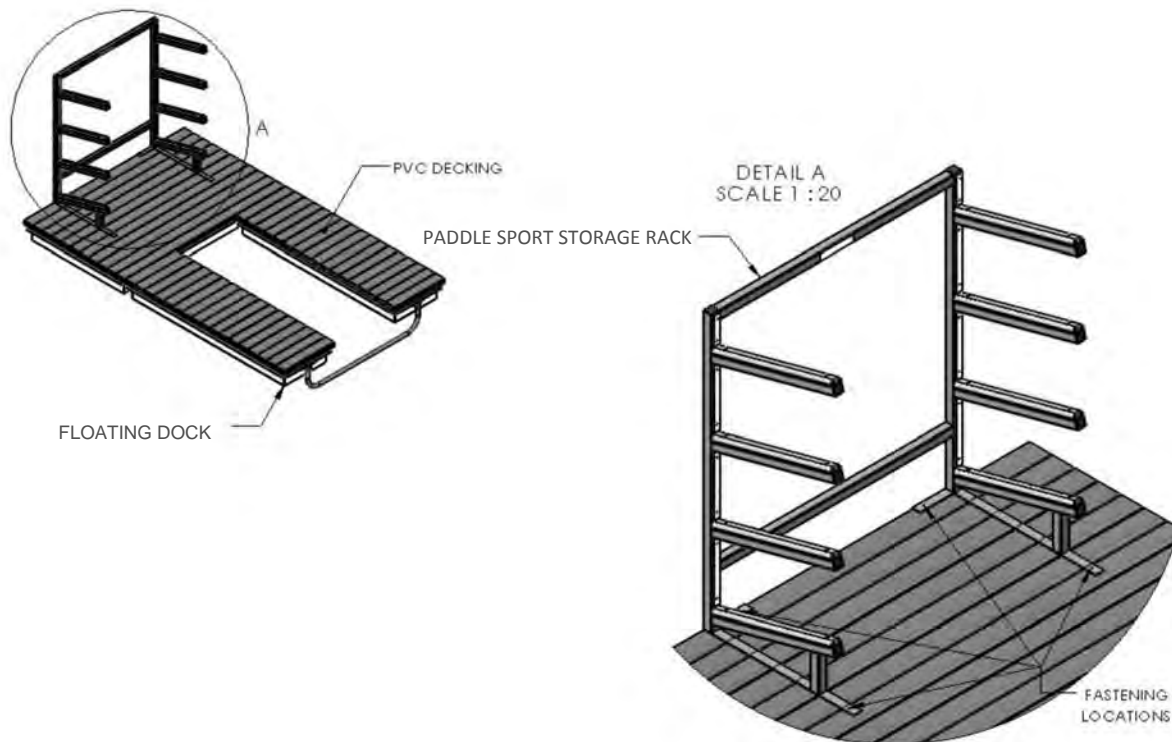


Label	Description
1	3/8"-18 x 5-1/2" Hex Bolt
2	3/8" Flat Washer
3	3/8" Lock Washer
4	3/8"-18 Hex Nut

STEP ONE

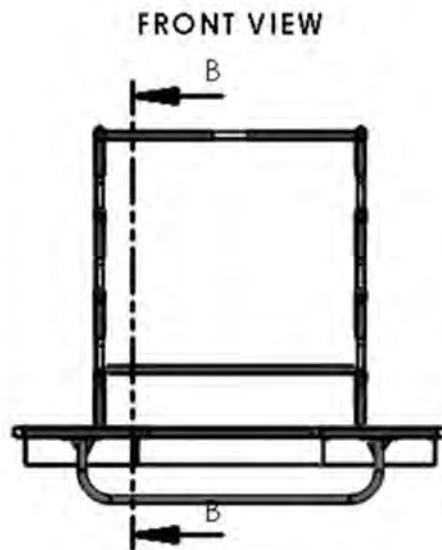
First determine the Paddle Sport Storage Rack's position. Once position has been determined, confirm which of the 4 fastening locations align with the float's aluminum frame. The rack requires at least 2 fastening locations to align with the float's aluminum frame. 3/8" holes will have to be drilled through the chosen fastening Paddle Sport Storage Rack locations (the ones that align with the float's aluminum frame), PVC decking, deck frame, float's lid and float's aluminum frame. See Detail A.

Note: Rack location varies according to customer needs/requirements. Each Paddle Sport Storage Rack has 4 locations from where it can be fasten to the decked dock.

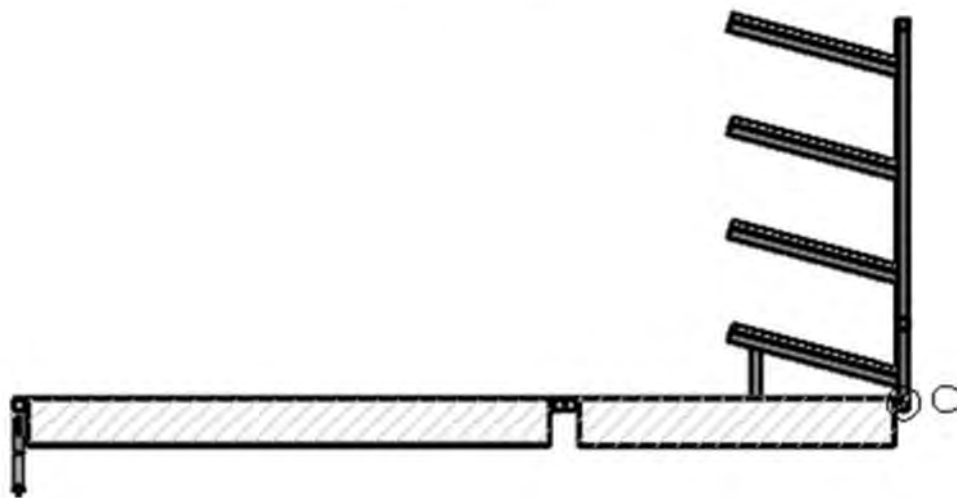


STEP TWO

Ensure that the Paddle Sport Storage Rack sits flush with the edge of the PVC board, as shown in the illustration. See Detail B.

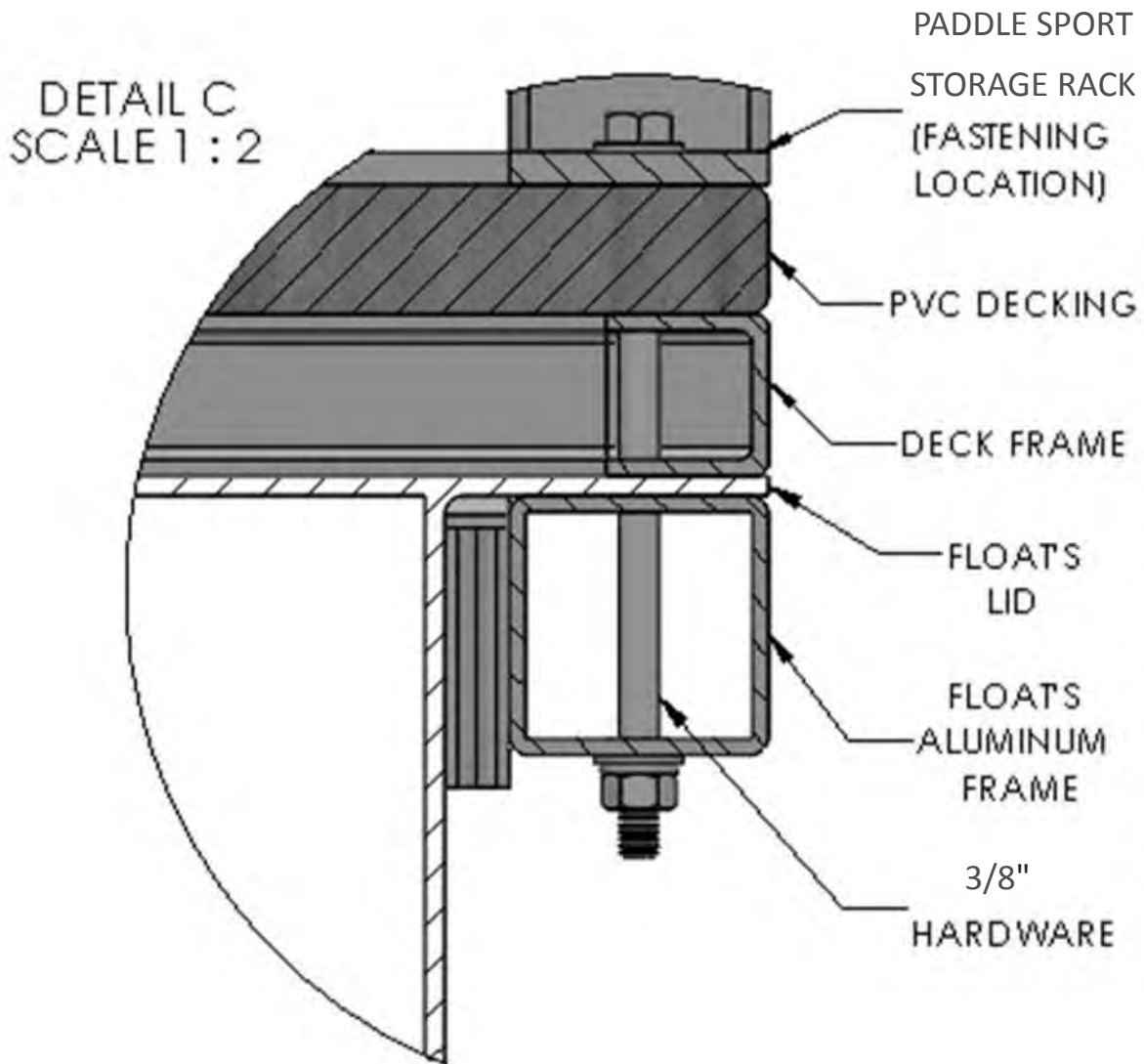


SECTION B-B
SCALE 1 : 40



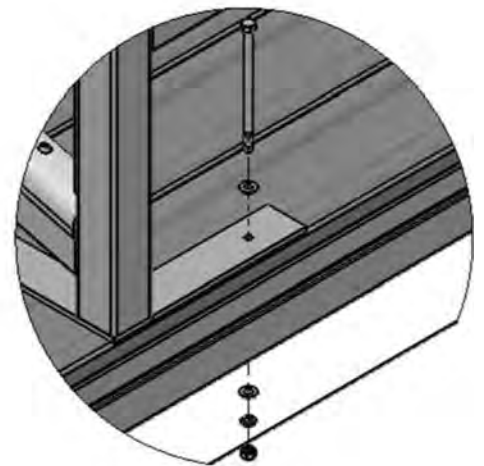
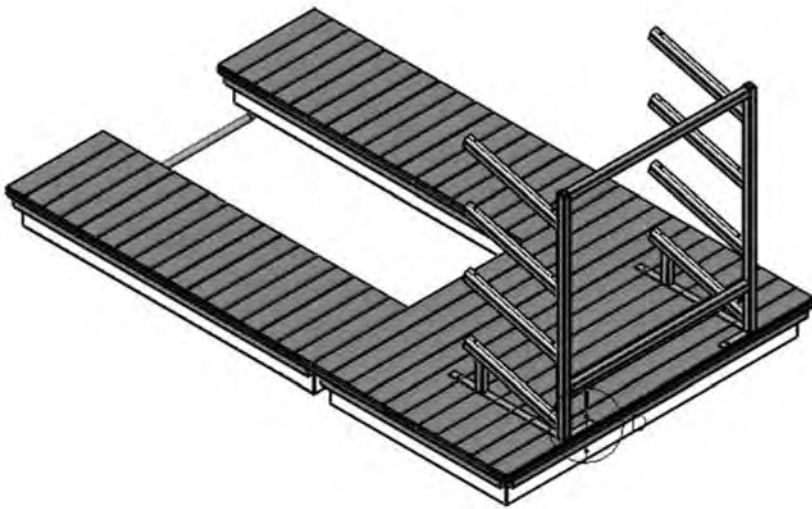
STEP THREE

Next, using a drill with a 3/8" drill bit, drill 2 to 4 thru-all holes. Begin with the Paddle Sport Storage Rack fastening locations, and ending with the float's aluminum frame. Make sure that the holes do not interfere with any existing hardware. See Detail C.



STEP FOUR

After drilling the mounting holes, insert 3/8" hex bolts, and flat washers from the top. Insert flat washers, lock washers, and hex nuts from the bottom. Lastly, fasten the Paddle Sport Storage Rack to the framed floats. See Detail D.



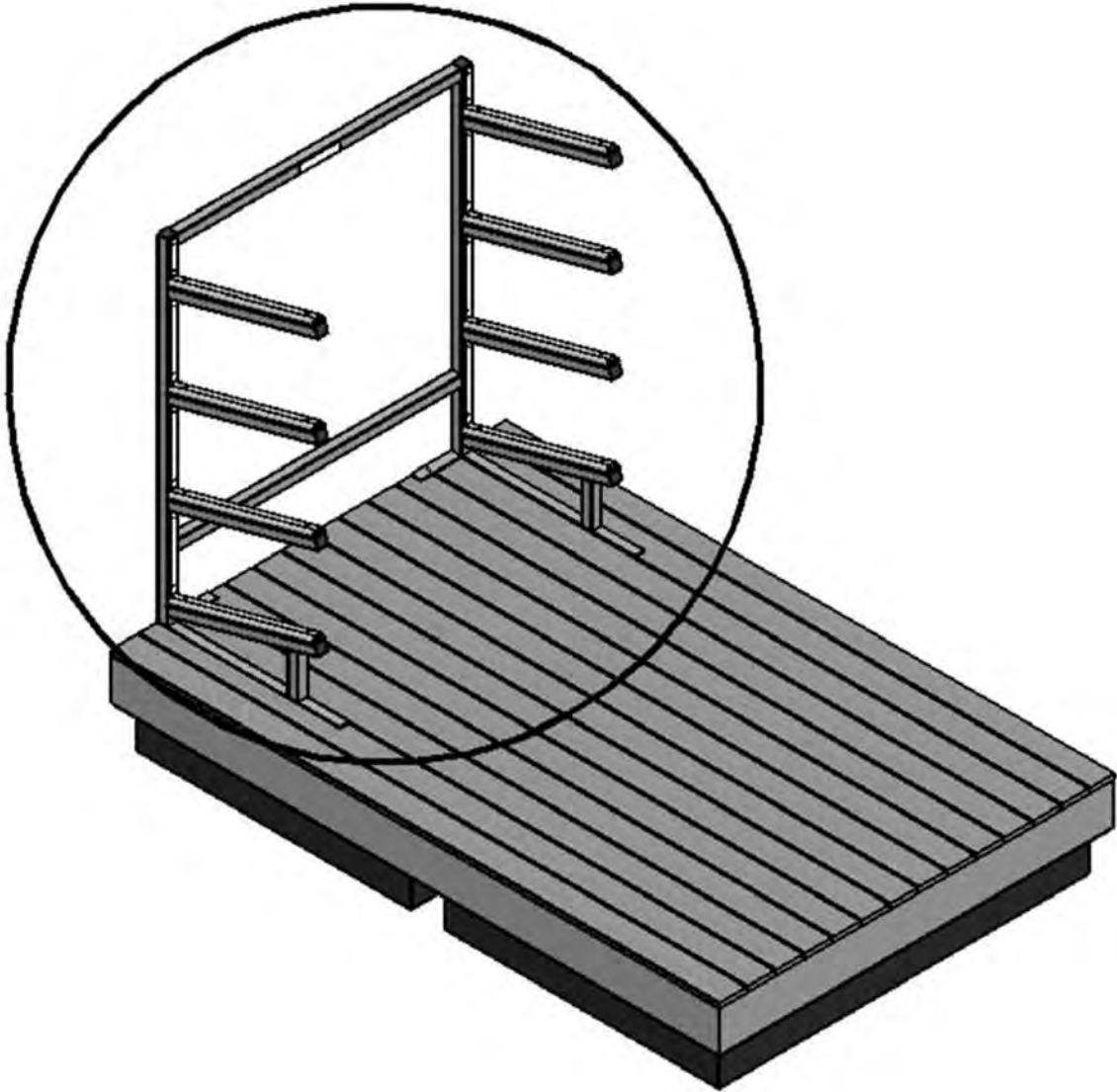
DETAIL D
SCALE 1 : 5



FOR MORE INFORMATION CALL 954.785.7557 OR
EMAIL SALES@ACCUDOCK.COM



INSTALLATION INSTRUCTIONS



Paddle Sport Storage Rack to Aluminum Floating Dock






BEFORE INSTALLATION

Thank you for your purchase with AccuDock. Our products have been constructed for durability and designed for easy installation. Please take the time to read these instructions carefully before installing your accessory.

Check your package carefully to ensure you have all parts and hardware listed below. Should you be missing any of the hardware please contact us.

PARTS LIST

While unpacking, please be sure to not discard any of the parts. Set them aside on a flat surface and ensure all parts are present prior to installation.

Part	Qty	
Paddle Sport Storage Rack * (ACC-RAC2, ACC-RAC3, ACC-RAC4)	1	
3/8"-18 x 2-1/2" Hex Bolt	4	
3/8" Flat Washer	8	
3/8" Lock Washer	4	
3/8"-18 Hex Nut	4	

*Images shown reference 4-Tier Paddle Sport Storage Rack. Same installation instructions apply to all Paddle Sport Storage Racks.

TOOLS NEEDED

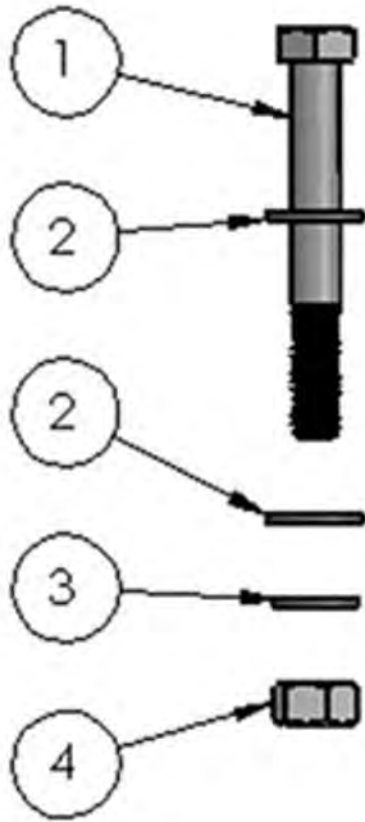
Cordless Drill with 3/8" drill bit

Hammer/Mallet

9/16" Wrench (2)

Allen Wrench

HARDWARE LIST

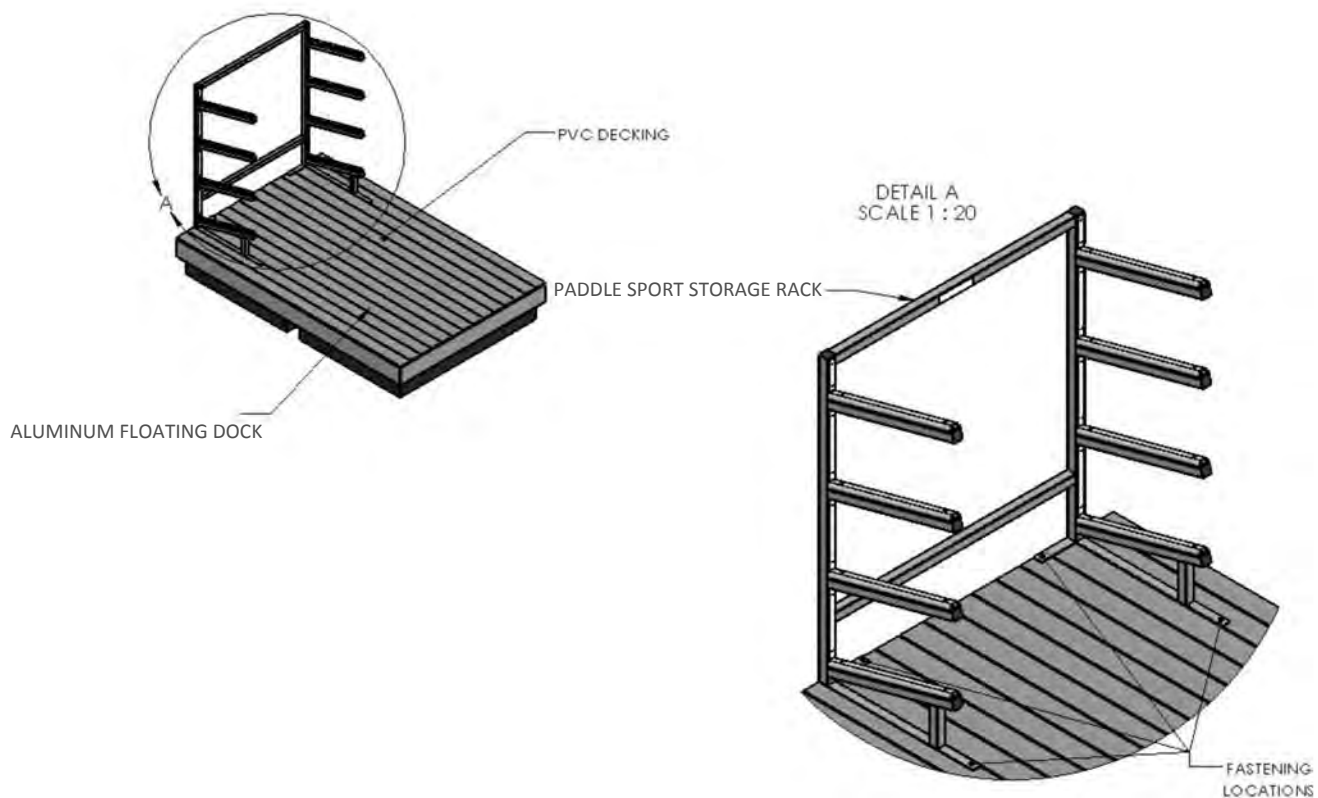


Label	Description
1	3/8"-18 x 2-1/2" Hex Bolt
2	3/8" Flat Washer
3	3/8" Lock Washer
4	3/8"-18 Hex Nut

STEP ONE

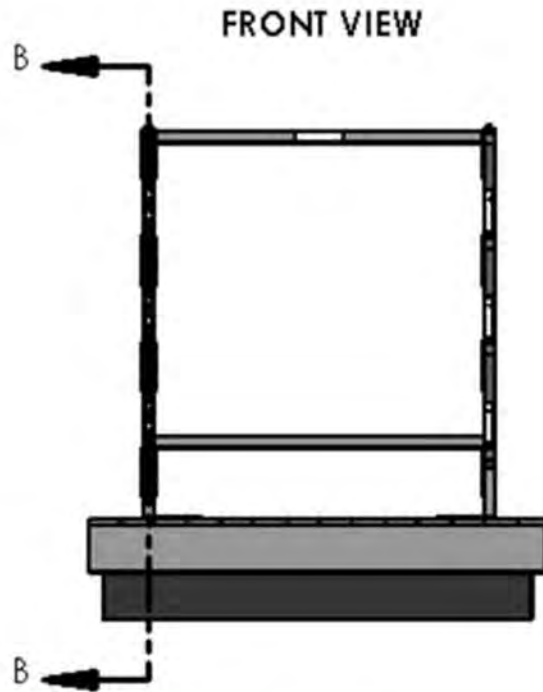
First determine the Paddle Sport Storage Rack's position. Once position has been determined, confirm which of the fastening locations align with the C-Channel frame. The rack requires at least 2 fastening locations to align with the C-Channel frame. 3/8" blind holes will have to be drilled through the chosen fastening Paddle Sport Storage Rack locations (the ones that align with the C-Channel frame), PVC decking, and C-Channel top lip. **It is important that the holes line up with the C-Channel before drilling.** See Detail A.

Note: Rack location varies according to customer needs/requirements. Each Paddle Sport Storage Rack has 4 locations from where it can be fasten to the Aluminum Floating Dock.

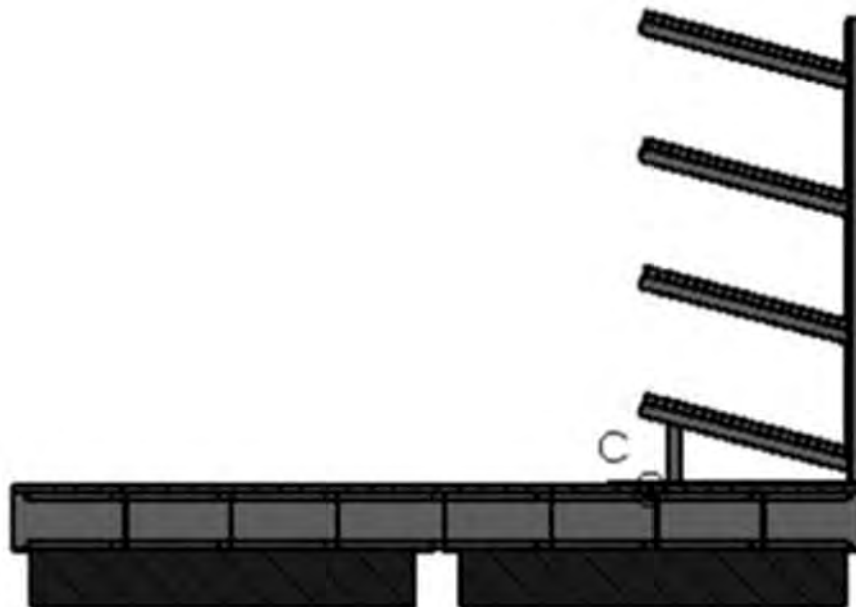


STEP TWO

Ensure that the Paddle Sport Storage Rack sits flush with the edge of the PVC board, as shown in the illustration. See Detail B.

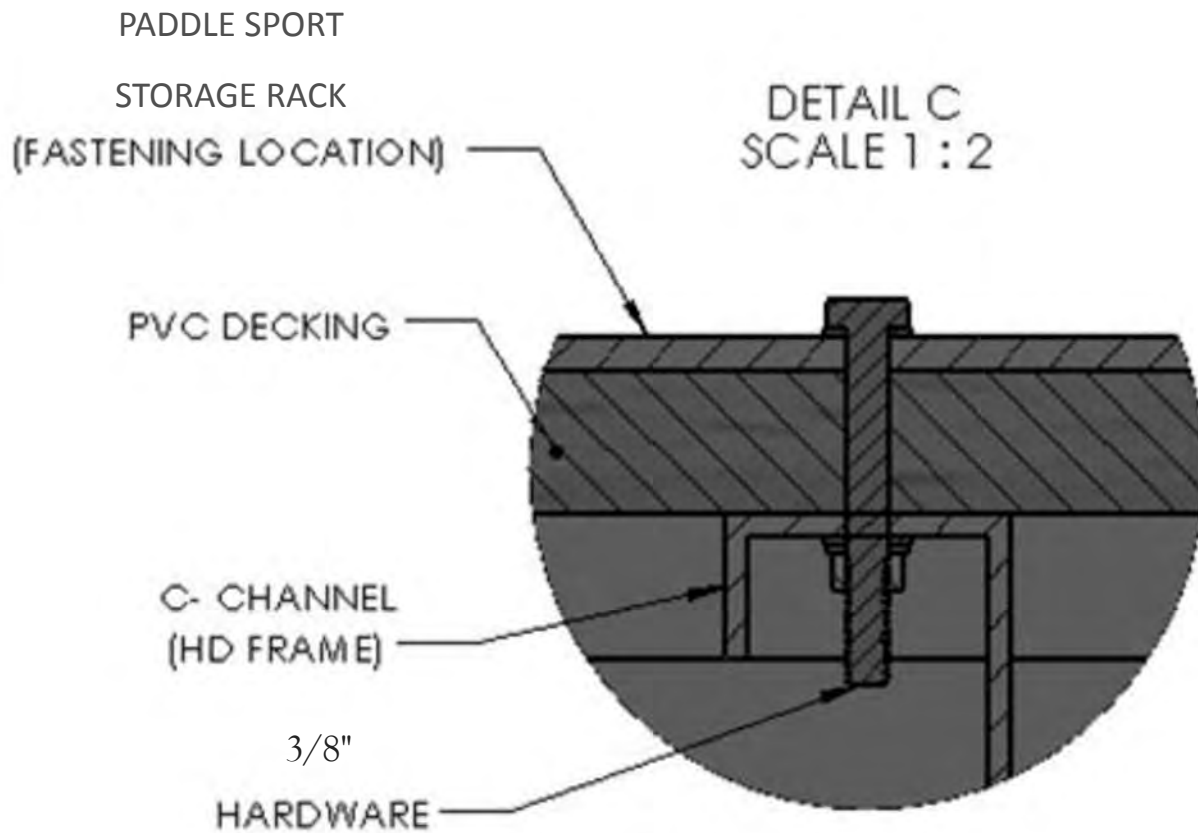


SECTION B-B
SCALE 1 : 36



STEP THREE

Next, using a drill with a 3/8" drill bit, drill 2 to 4 blind holes. Begin with the Paddle Sport Storage Rack fastening locations, and ending with the C-Channel top lip. Make sure that the holes do not interfere with any existing hardware. See Detail C.

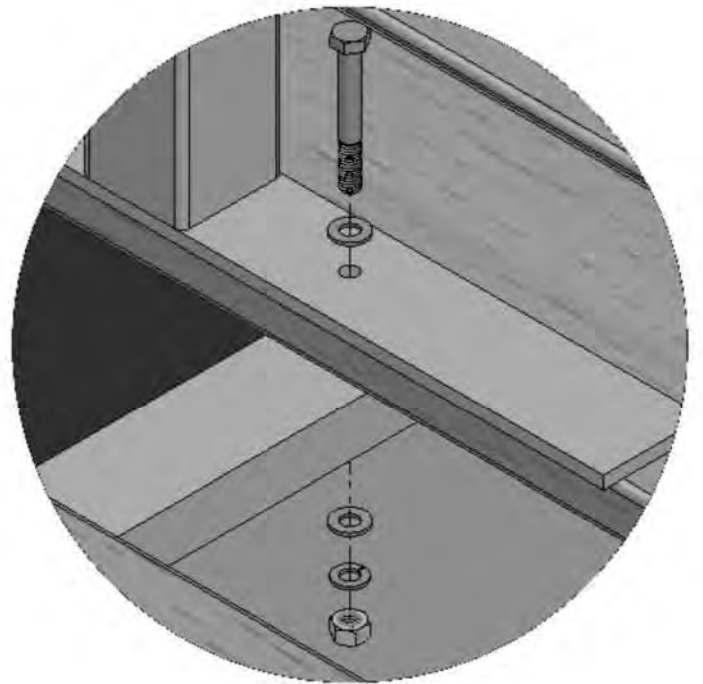


STEP FOUR

After drilling the mounting holes, remove the boards located adjacent to where the Paddle Sport Storage will be located. Insert 3/8" hex bolts, and flat washers from the top. Insert flat washers, lock washers, and hex nuts from the bottom. Lastly, fasten the Paddle Sport Storage Rack to the C-Channel top lip and install the previously removed boards. See Detail D.



DETAIL D
SCALE 1:2

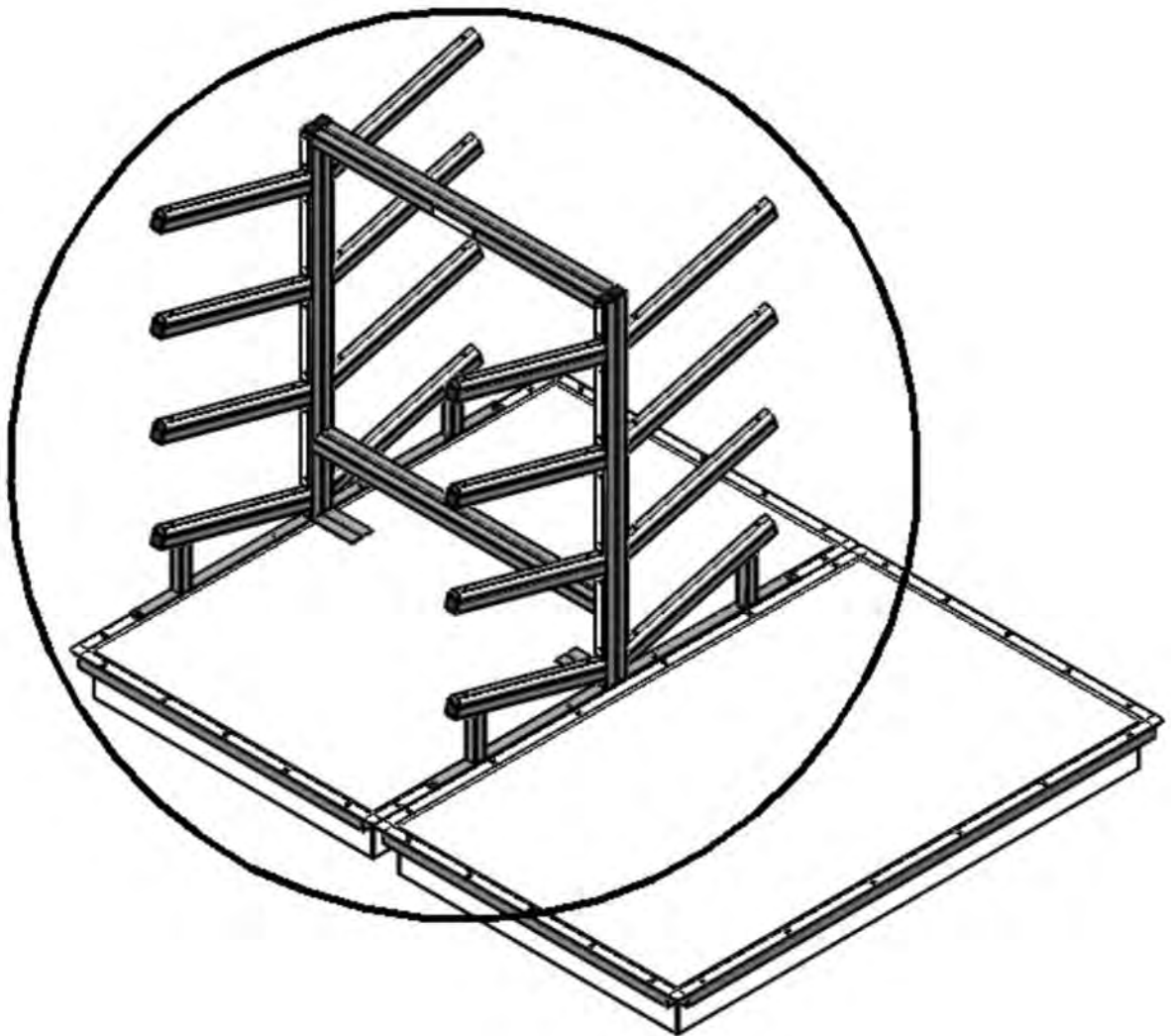




FOR MORE INFORMATION CALL 954.785.7557 OR
EMAIL SALES@ACCUDOCK.COM



INSTALLATION INSTRUCTIONS



Double Sided Paddle Sport Storage Rack

BEFORE INSTALLATION






Thank you for your purchase with AccuDock. Our products have been constructed for durability and designed for easy installation. Please take the time to read these instructions carefully before installing your accessory.

Check your package carefully to ensure you have all parts and hardware listed below. Should you be missing any of the hardware please contact us.

PARTS LIST

While unpacking, please be sure to not discard any of the parts. Set them aside on a flat surface and ensure all parts are present prior to installation.

The part list below does not provide quantities due to the variation of hardware required for each installation. Every installation is unique and may require different quantities.

Part	Qty	
Double Sided Paddle Sport Storage Rack* (ACC-RAC2D, ACC-RAC3D, ACC-RAC4D)	1	
3/8"-16 x 3-1/4" Hex Bolt	-	
3/8" Flat Washer	-	
3/8" Lock Washer	-	
3/8"-16 Hex Nut	-	

*Images shown reference a 4-Tier Double Sided Paddle Sport Storage Rack. Same installation instructions apply to all Double Sided Paddle Sport Storage Racks.

TOOLS NEEDED

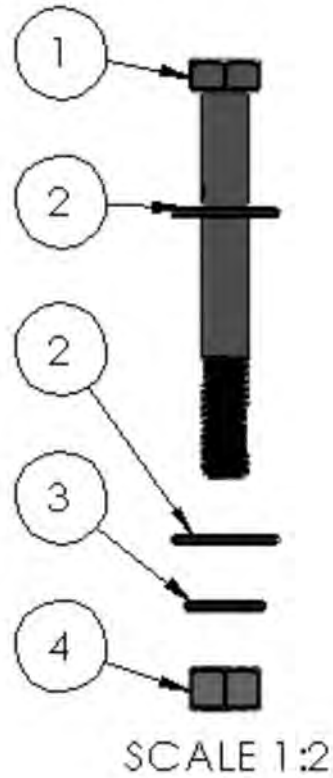
Cordless Drill with 3/8" drill bit

Hammer/Mallet

9/16" Wrench (2)

Allen Wrench

HARDWARE LIST

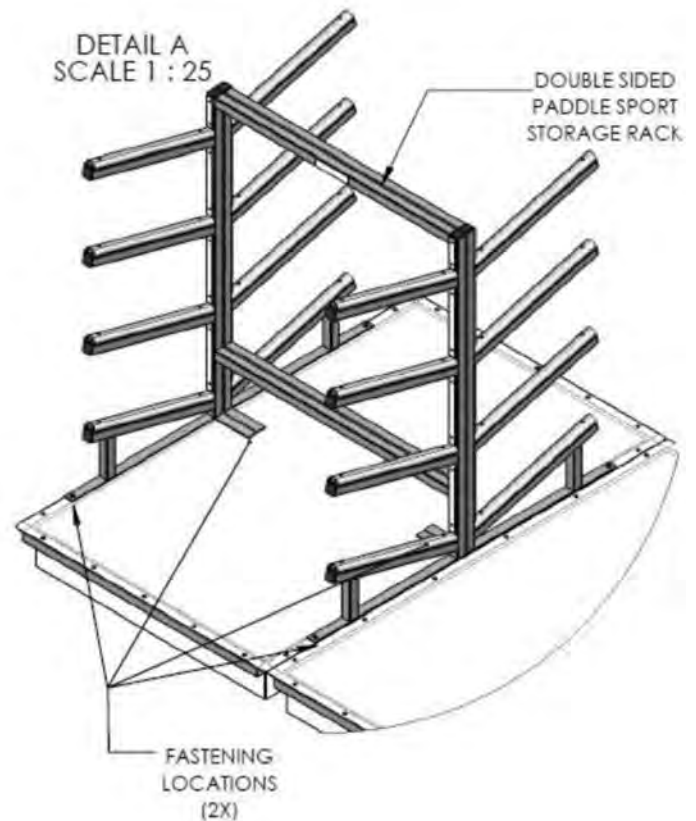
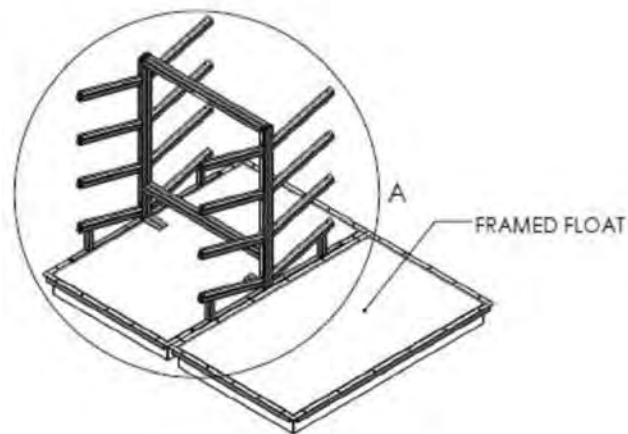


Label	Description
1	3/8"-16 x 3-1/4" Hex Bolt
2	3/8" Flat Washer
3	3/8" Lock Washer
4	3/8"-16 Hex Nut

STEP ONE

First determine the Double Sided Paddle Sport Storage Rack's position. Once position has been determined, confirm which of the 8 fastening locations align with the float's aluminum frame. 3/8" holes will have to be drilled through the chosen fastening Double Sided Paddle Sport Storage Rack locations (the ones that align with the float's aluminum frame) and float's lid and float's aluminum frame. See Detail A.

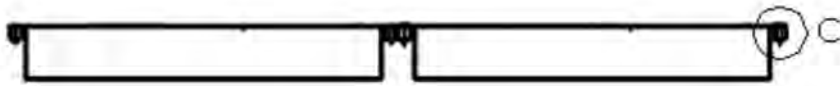
Note: Rack location varies according to customer needs/requirements. Each Double Sided Paddle Sport Storage Rack has 8 locations from where it can be fastened to the framed float. It is important to make sure that the holes line up with the float's aluminum frame before drilling.



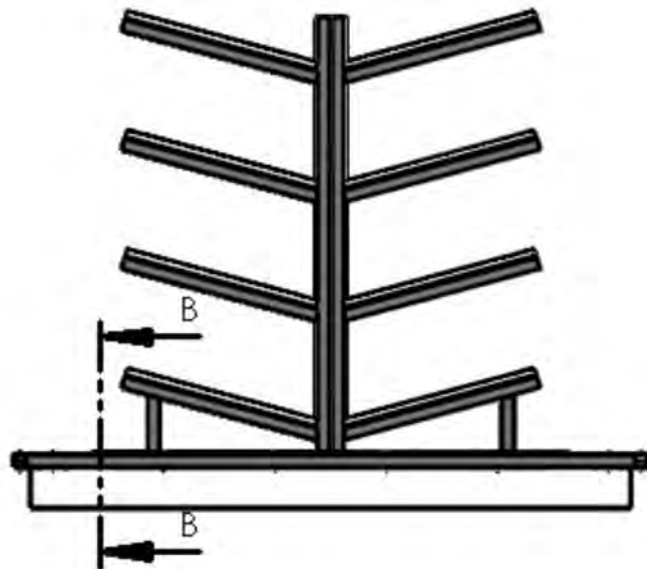
STEP TWO

Ensure that the Double Sided Paddle Sport Storage Rack sits flush with the edge of the float's aluminum frame, as shown in the illustration. See Detail B.

SECTION B-B
SCALE 1 : 30

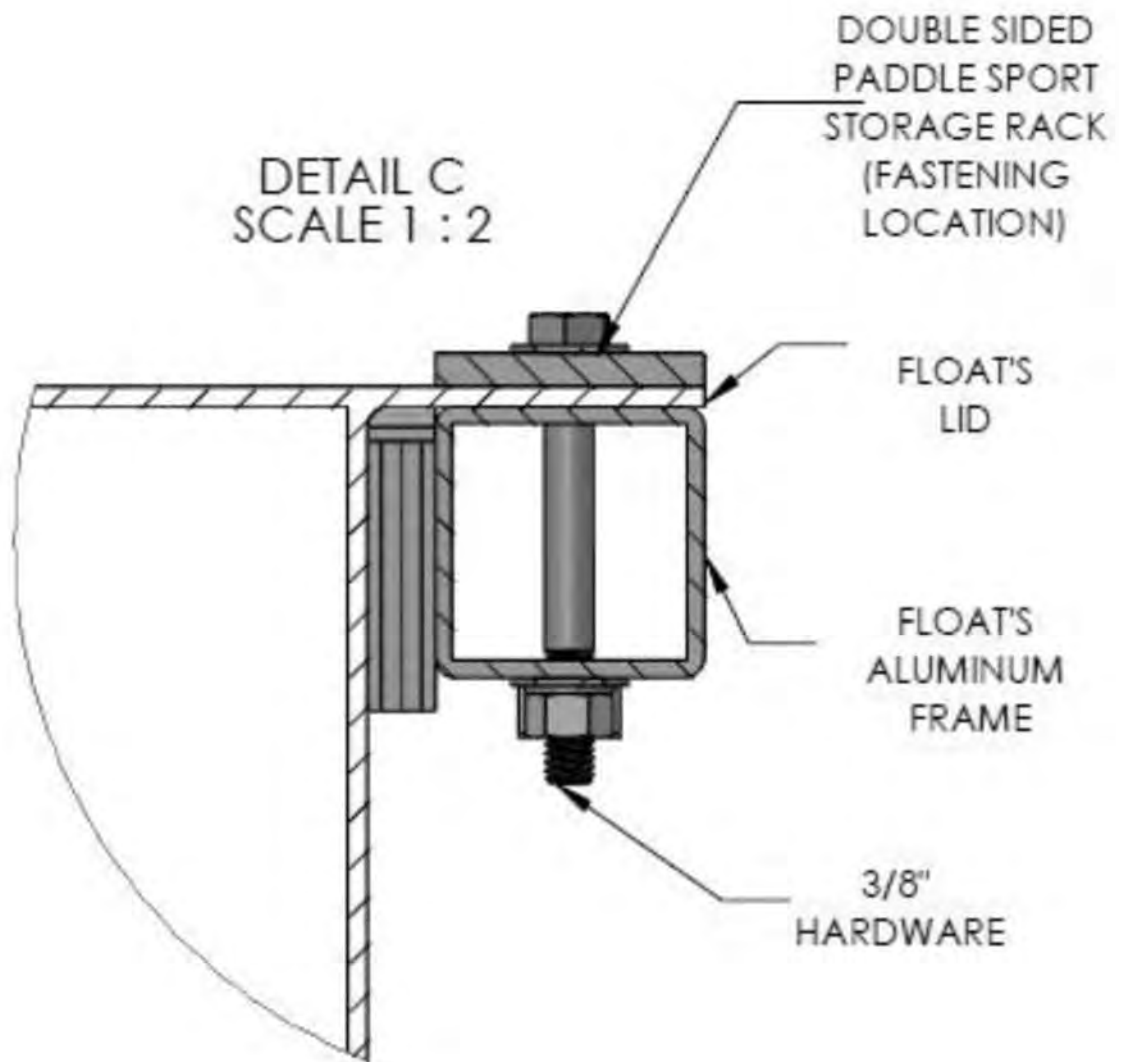


FRONT VIEW



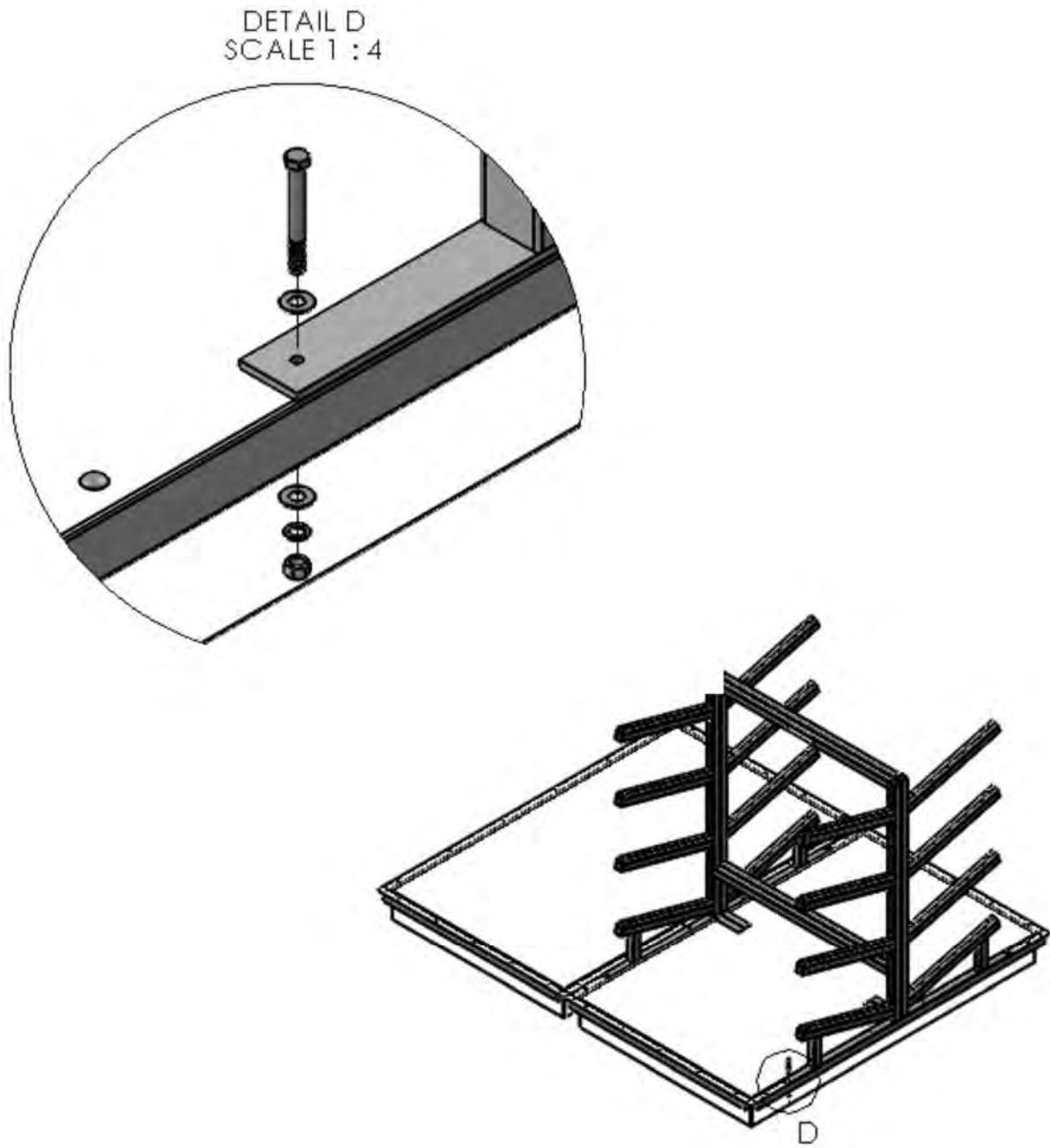
STEP THREE

Next, using a drill with a 3/8" drill bit, drill 4 to 8 through all holes. Begin with the Double Sided Paddle Sport Storage Rack fastening locations, and ending with the float's aluminum frame. Make sure that the holes do not interfere with any existing hardware. See Detail C.



STEP FOUR

After drilling the mounting holes, insert 3/8" hex bolts, and flat washers from the top. Insert flat washers, lock washers, and hex nuts from the bottom. Lastly, fasten the Double Sided Paddle Sport Storage Rack to the framed floats. See Detail D.

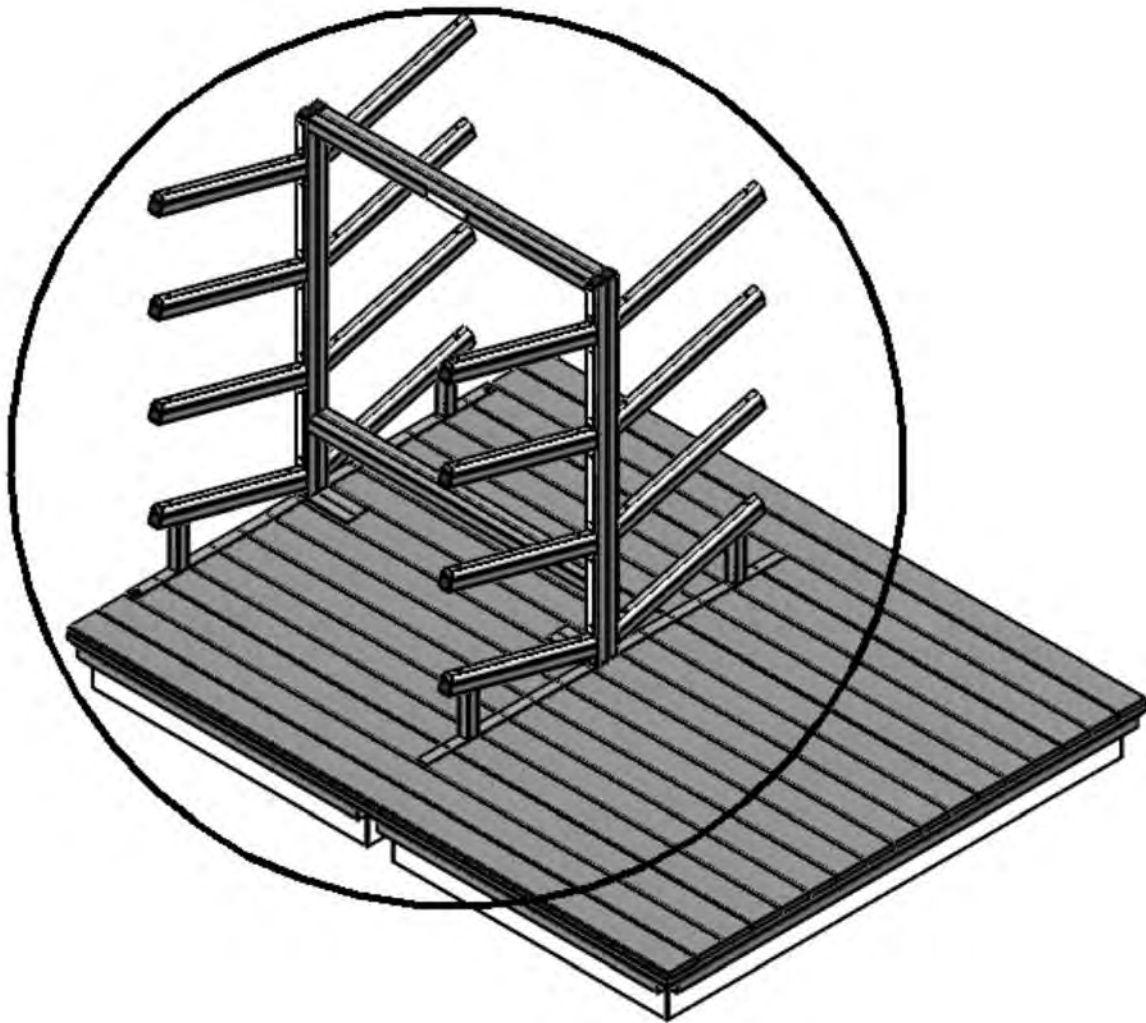




FOR MORE INFORMATION CALL 954.785.7557 OR
EMAIL SALES@ACCUDOCK.COM



INSTALLATION INSTRUCTIONS



Double Sided Paddle Sport Storage Rack to
Decked Dock

BEFORE INSTALLATION






Thank you for your purchase with AccuDock. Our products have been constructed for durability and designed for easy installation. Please take the time to read these instructions carefully before installing your accessory.

Check your package carefully to ensure you have all parts and hardware listed below. Should you be missing any of the hardware please contact us.

PARTS LIST

While unpacking, please be sure to not discard any of the parts. Set them aside on a flat surface and ensure all parts are present prior to installation.

The part list below does not provide quantities due to the variation of hardware required for each installation. Every installation is unique and may require different quantities.

Part	Qty	
Double Sided Paddle Sport Storage Rack* (ACC-RAC2D, ACC-RAC3D, ACC-RAC4D)	1	
3/8"-16 x 5-1/2" Hex Bolt	-	
3/8" Flat Washer	-	
3/8" Lock Washer	-	
3/8"-16 Hex Nut	-	

*Images shown reference a 4-Tier Double Sided Paddle Sport Storage Rack. Same installation instructions apply to all Double Sided Paddle Sport Storage Racks.

TOOLS NEEDED

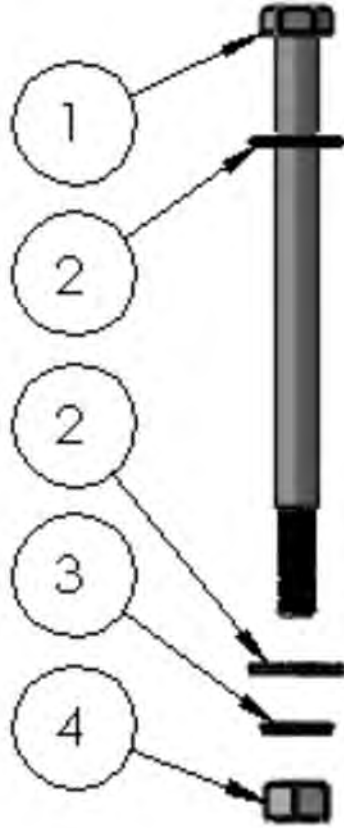
Cordless Drill with 3/8" long drill bit

Hammer/Mallet

9/16" Wrench (2)

Allen Wrench

HARDWARE LIST

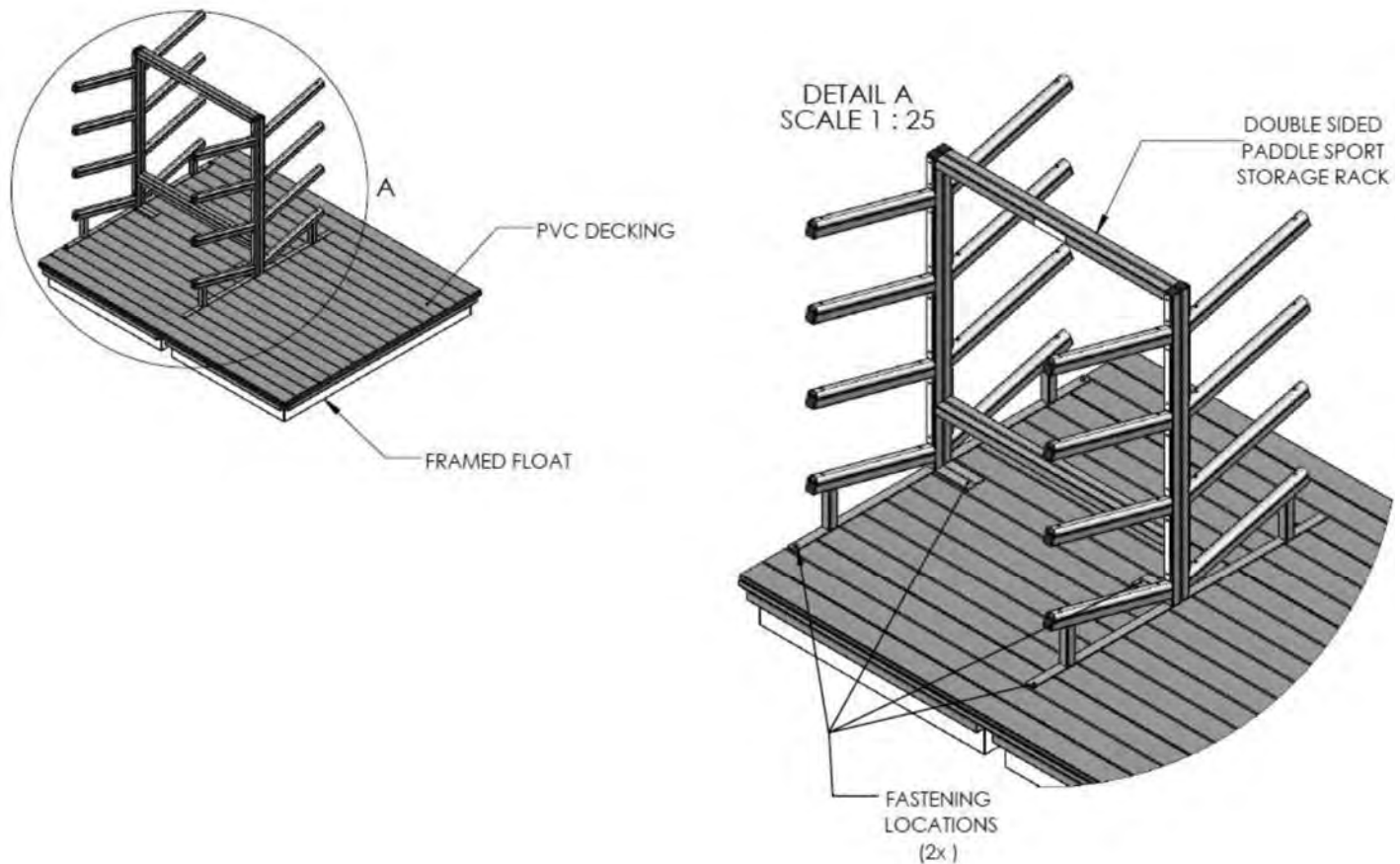


Label	Description
1	3/8"-16 x 5-1/2" Hex Bolt
2	3/8" Flat Washer
3	3/8" Lock Washer
4	3/8"-16 Hex Nut

STEP ONE

First determine the Double Sided Paddle Sport Storage Rack's position. Once position has been determined, confirm which of the 8 fastening locations align with the float's aluminum frame. 3/8" holes will have to be drilled through the chosen fastening Double Sided Paddle Sport Storage Rack locations (the ones that align with the float's aluminum frame), PVC decking, deck frame, float's lid and float's aluminum frame. See Detail A.

Note: Rack location varies according to customer needs/requirements. Each Double Sided Paddle Sport Storage Rack has 8 locations from where it can be fastened to the framed float. It is important to make sure that the holes line up with the float's aluminum frame before drilling.



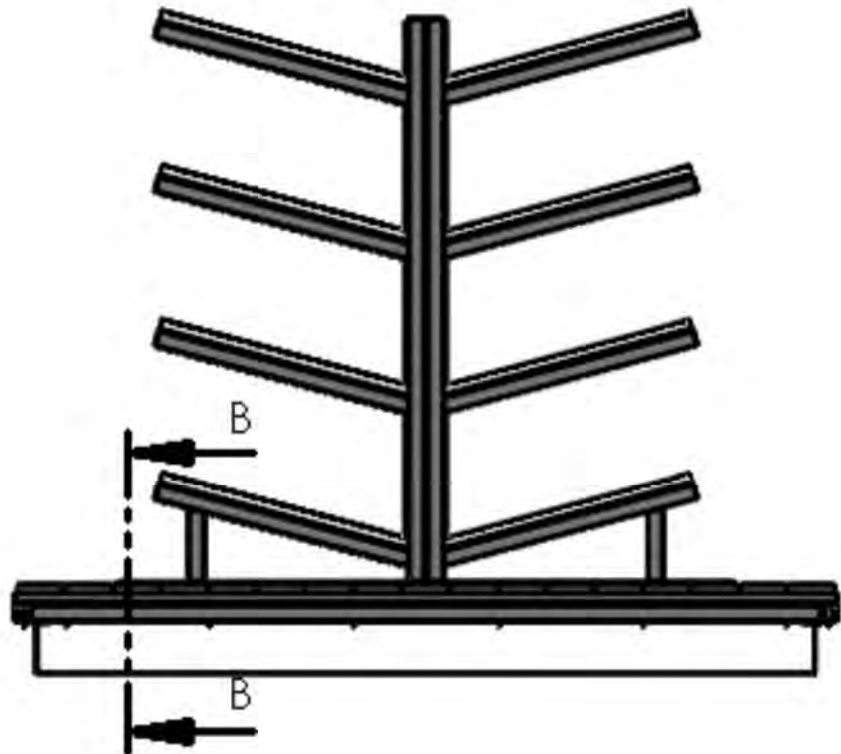
STEP TWO

Ensure that the Double Sided Paddle Sport Storage Rack sits flush with the edge of the PVC board, and the float's aluminum frame, as shown in the illustration. See Detail B.

SECTION B-B
SCALE 1 : 30

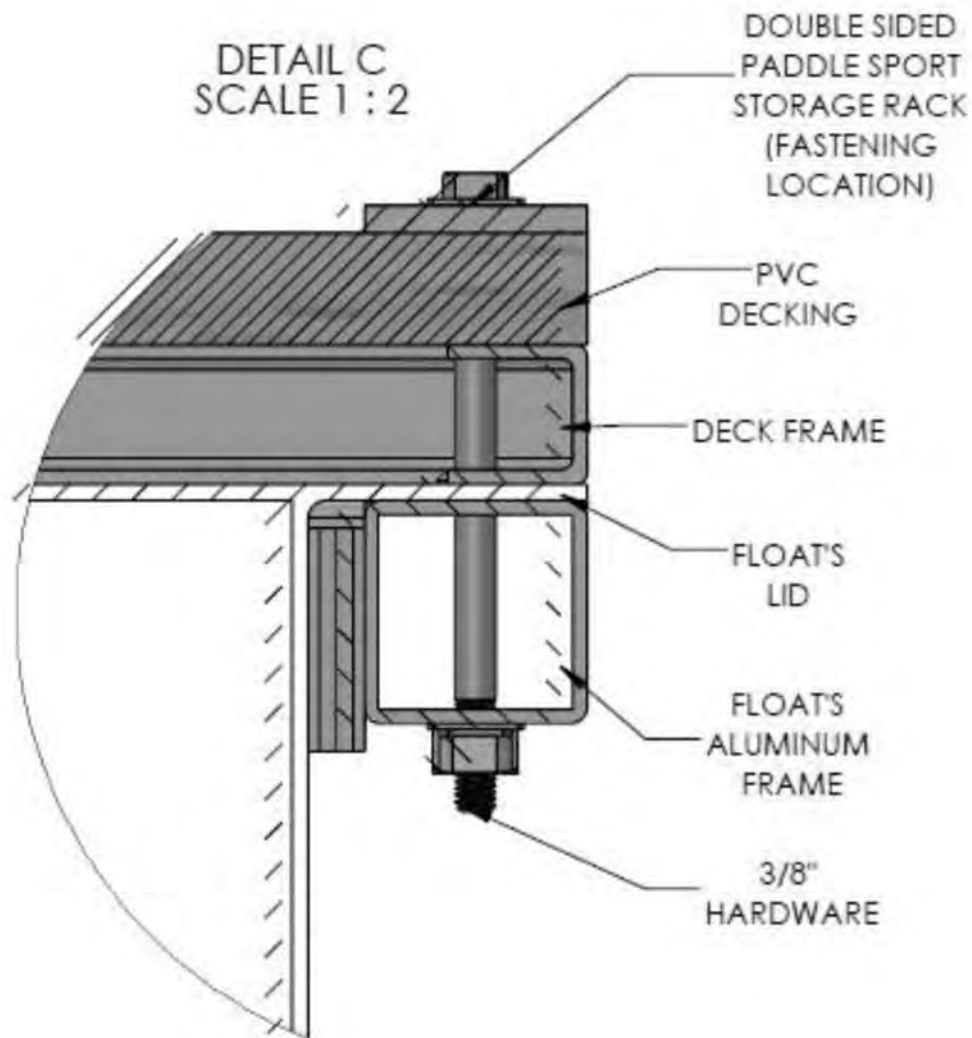


FRONT VIEW



STEP THREE

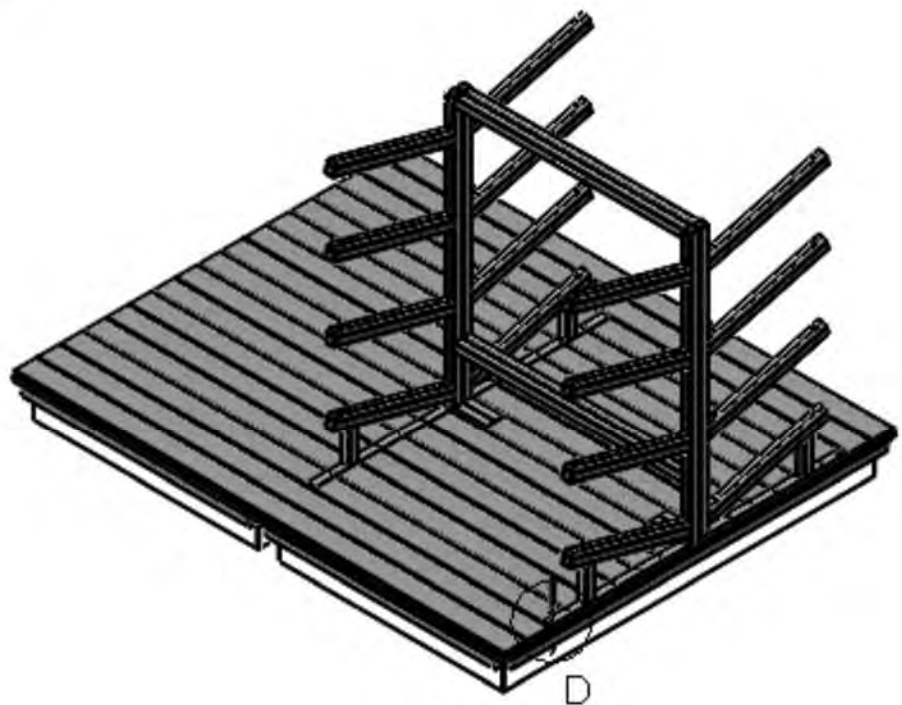
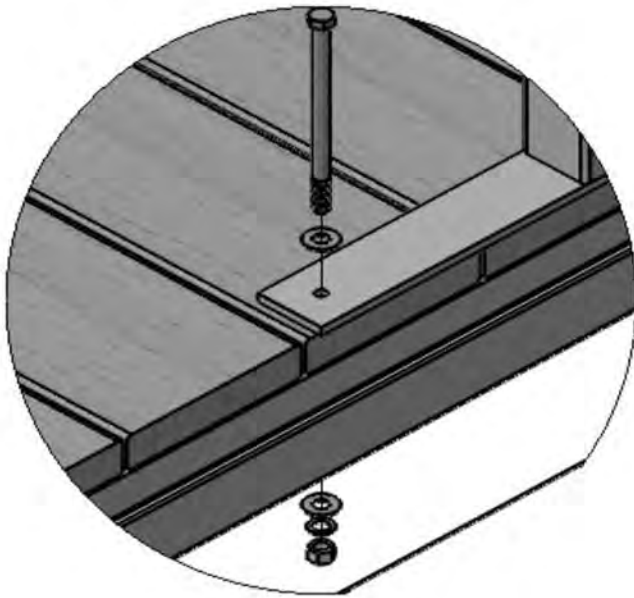
Next, using a drill with a 3/8" drill bit, drill 4 to 8 through all holes. Begin with the Double Sided Paddle Sport Storage Rack fastening locations, and ending with the float's aluminum frame. Make sure that the holes do not interfere with any existing hardware. See Detail C.



STEP FOUR

After drilling the mounting holes, insert 3/8" hex bolts, and flat washers from the top. Insert flat washers, lock washers, and hex nuts from the bottom. Lastly, fasten the Double Sided Paddle Sport Storage Rack to the framed floats. See Detail D.

DETAIL D
SCALE 1 : 4

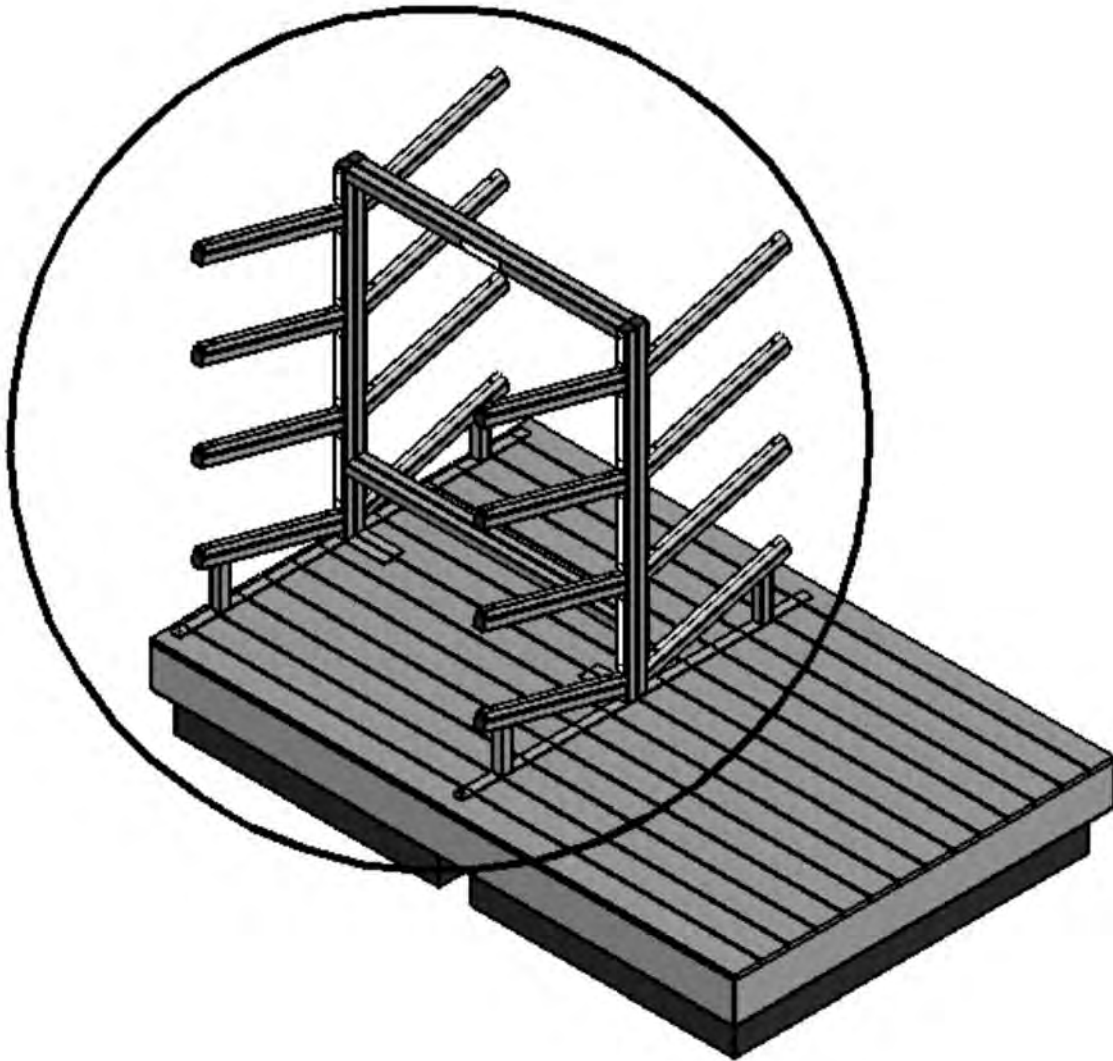




FOR MORE INFORMATION CALL 954.785.7557 OR
EMAIL SALES@ACCUDOCK.COM



INSTALLATION INSTRUCTIONS



Double Sided Paddle Sport Storage Rack to Aluminum Floating Dock

BEFORE INSTALLATION






Thank you for your purchase with AccuDock. Our products have been constructed for durability and designed for easy installation. Please take the time to read these instructions carefully before installing your accessory.

Check your package carefully to ensure you have all parts and hardware listed below. Should you be missing any of the hardware please contact us.

PARTS LIST

While unpacking, please be sure to not discard any of the parts. Set them aside on a flat surface and ensure all parts are present prior to installation.

The part list below does not provide quantities due to the variation of hardware required for each installation. Every installation is unique and may require different quantities.

Part	Qty	
Double Sided Paddle Sport Storage Rack* (ACC-RAC2D, ACC-RAC3D, ACC-RAC4D)	1	
3/8"-16 x 2-1/2" Hex Bolt	-	
3/8" Flat Washer	-	
3/8" Lock Washer	-	
3/8"-16 Hex Nut	-	

*Images shown reference a 4-Tier Double Sided Paddle Sport Storage Rack. Same installation instructions apply to all Double Sided Paddle Sport Storage Racks.

TOOLS NEEDED

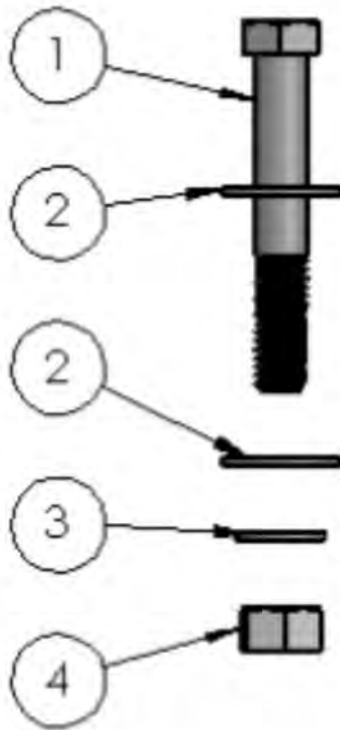
Cordless Drill with 3/8" drill bit

Hammer/Mallet

9/16" Wrench (2)

Allen Wrench

HARDWARE LIST

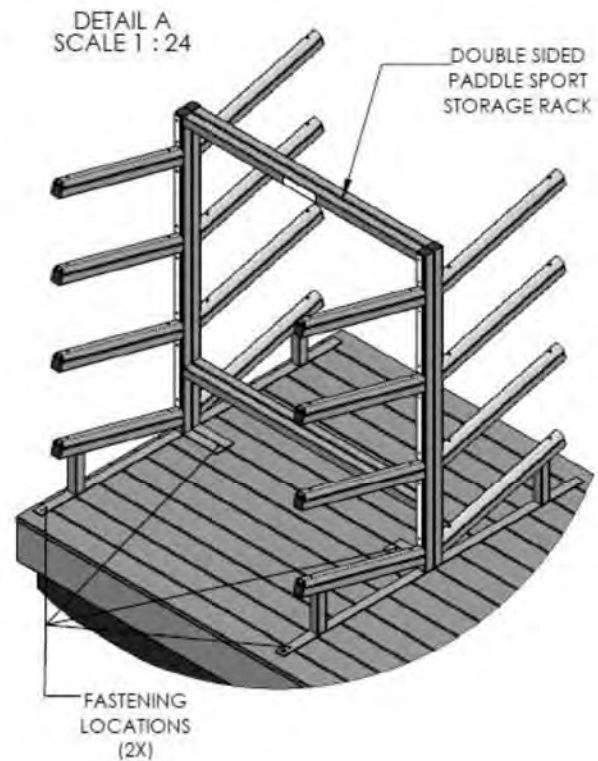
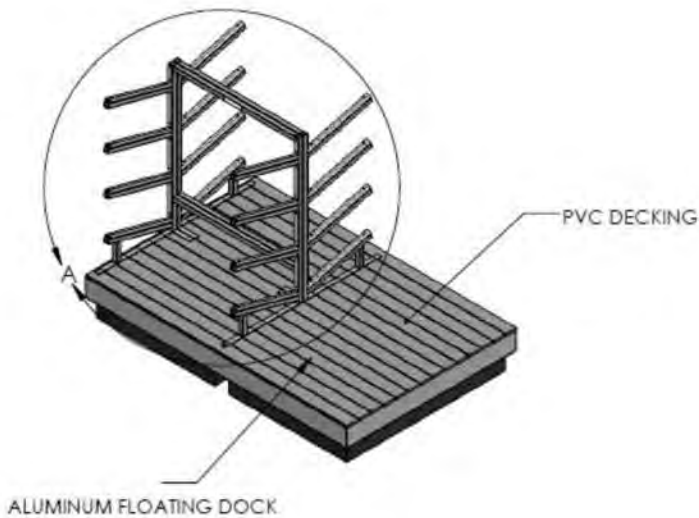


Label	Description
1	3/8"-16 x 2-1/2" Hex Bolt
2	3/8" Flat Washer
3	3/8" Lock Washer
4	3/8"-16 Hex Nut

STEP ONE

First determine the Double Sided Paddle Sport Storage Rack's position. Once position has been determined, confirm which of the 8 fastening locations align with the C-Channel frame. 3/8" blind holes will have to be drilled through the chosen fastening Double Sided Paddle Sport Storage Rack locations (the ones that align with the C-Channel frame), PVC decking and C-Channel top lip. See Detail A.

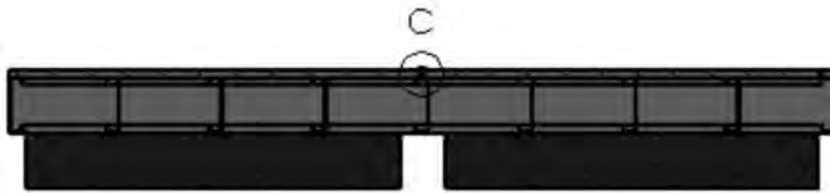
Note: Rack location varies according to customer needs/requirements. Each Double Sided Paddle Sport Storage Rack has 8 locations from where it can be fastened to Aluminum Floating Dock. It is important that the holes line up with the C-Channel before drilling.



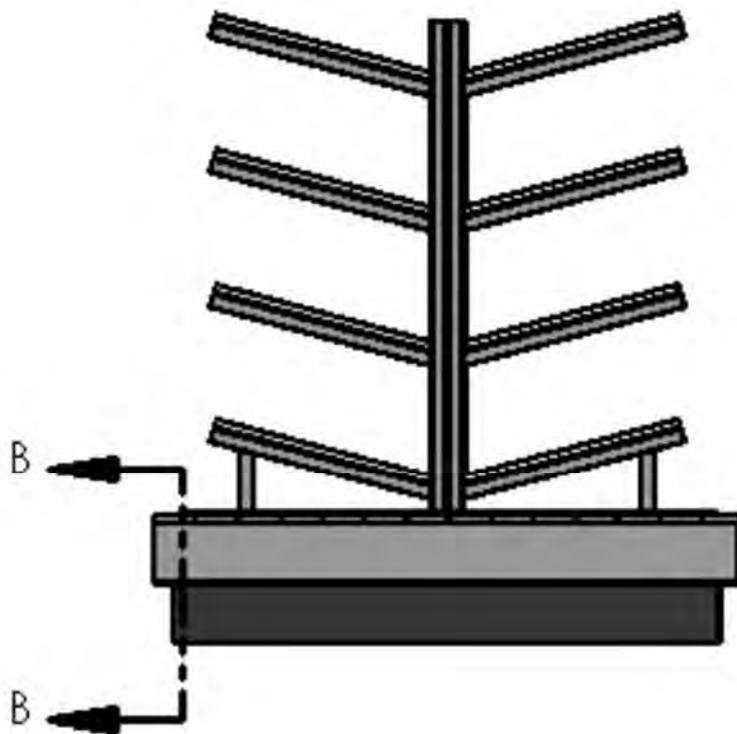
STEP TWO

Ensure that the Double Sided Paddle Sport Storage Rack sits flush with the edge of the PVC board, as shown in the illustration. See Detail B.

SECTION B-B
SCALE 1 : 30

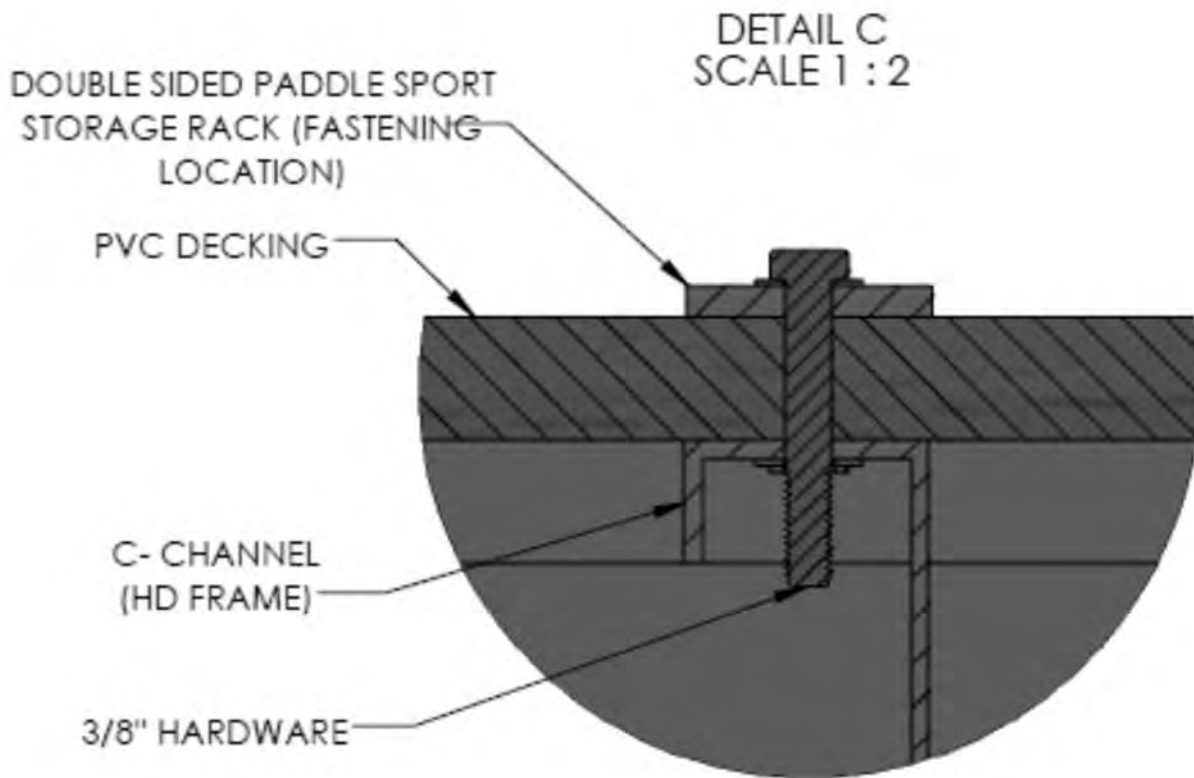


FRONT VIEW



STEP THREE

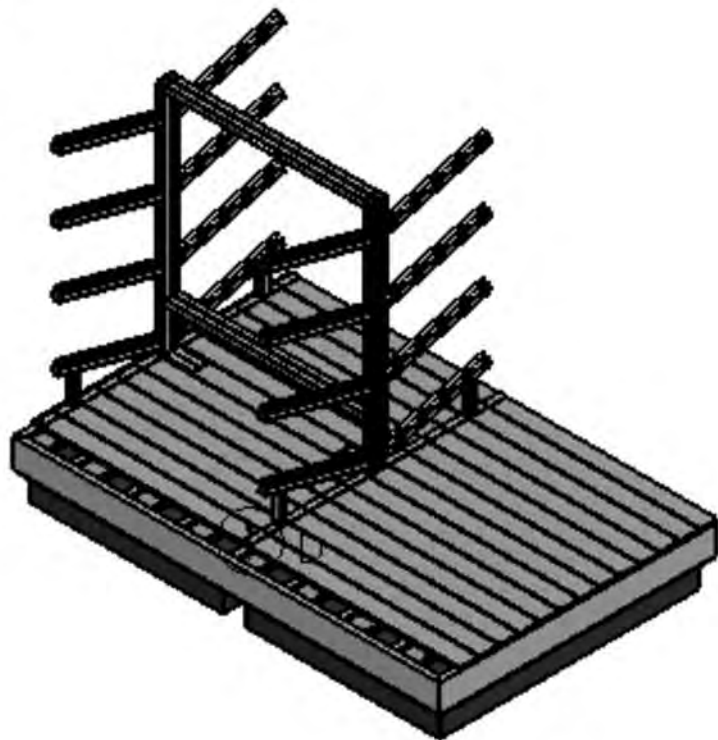
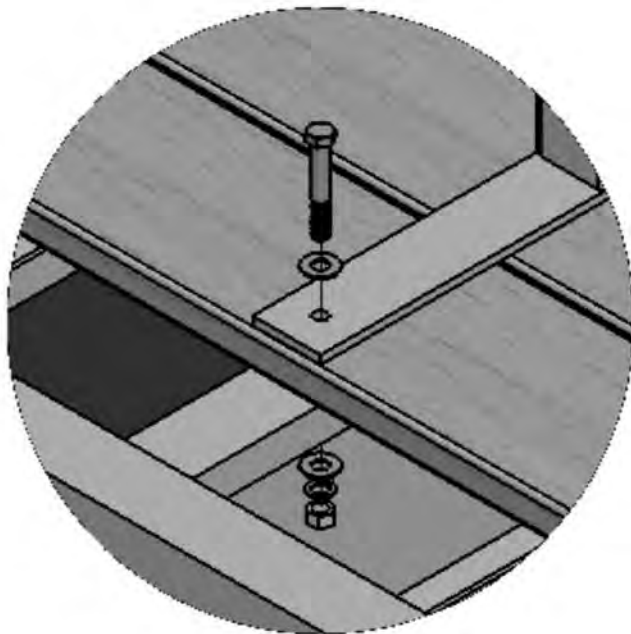
Next, using a drill with a 3/8" drill bit, drill 4 to 8 blind holes. Begin with the Double Sided Paddle Sport Storage Rack fastening locations, and ending with the C-Channel top lip. Make sure that the holes do not interfere with any existing hardware. See Detail C.



STEP FOUR

After drilling the mounting holes, remove the boards located adjacent to where the Double Sided Paddle Sport Storage Rack will be located. Insert 3/8" hex bolts, and flat washers from the top. Insert flat washers, lock washers, and hex nuts from the bottom. Lastly, fasten the Double Sided Paddle Sport Storage Rack to the C-Channel top lip and install the previously removed boards. See Detail D.

DETAIL D
SCALE 1 : 4

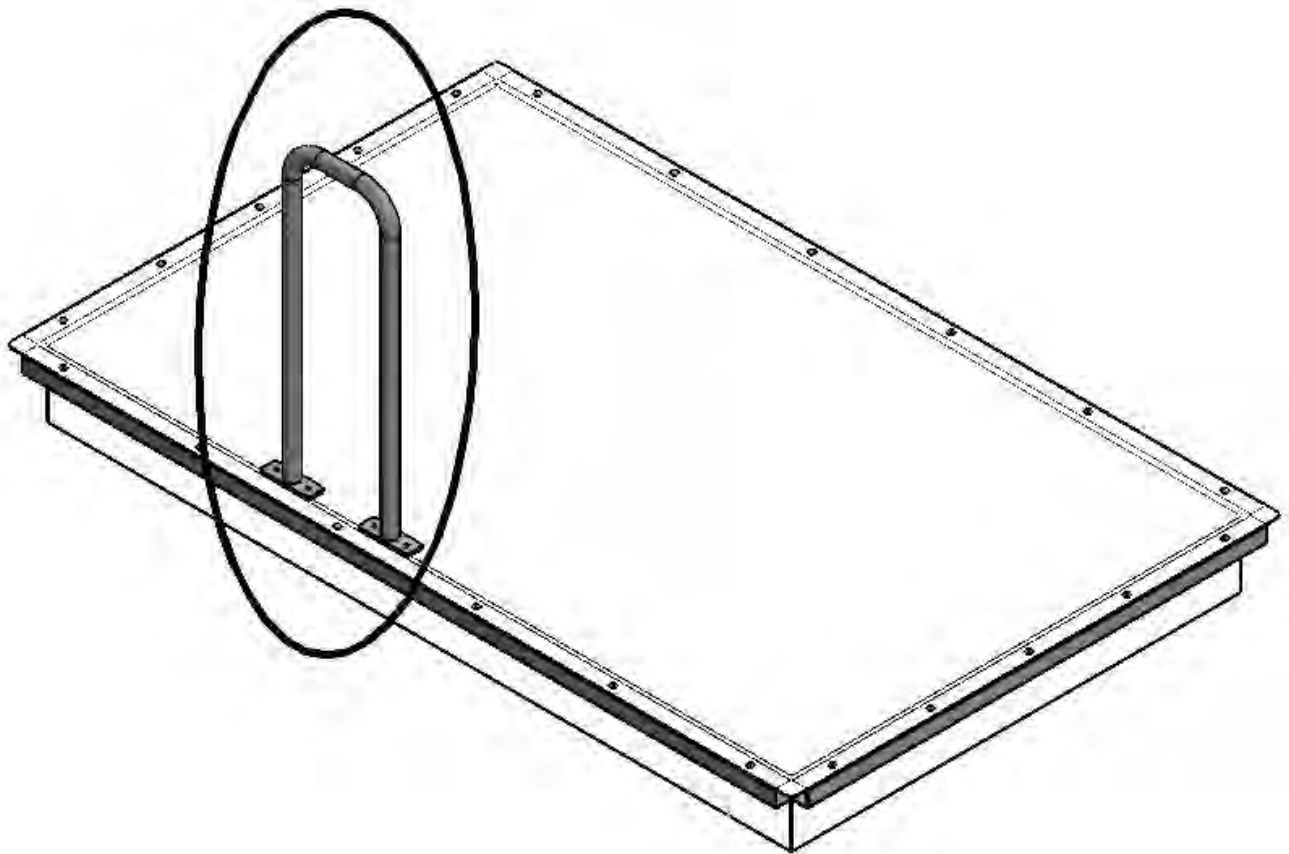




FOR MORE INFORMATION CALL 954.785.7557 OR
EMAIL SALES@ACCUDOCK.COM



INSTALLATION INSTRUCTIONS



Paddleboard Railing






BEFORE INSTALLATION

Thank you for your purchase with AccuDock. Our products have been constructed for durability and designed for easy installation. Please take the time to read these instructions carefully before installing your accessory.

Check your package carefully to ensure you have all parts and hardware listed below. Should you be missing any of the hardware please contact us.

PARTS LIST

While unpacking, please be sure to not discard any of the parts. Set them aside on a flat surface and ensure all parts are present prior to installation.

Part	Qty	
Paddleboard Railing (ACC-PBR)	1	
3/8"-16 x 3-1/4" Hex Bolt	4	
3/8" Flat Washer	8	
3/8" Lock Washer	4	
3/8"-16 Hex Nut	4	

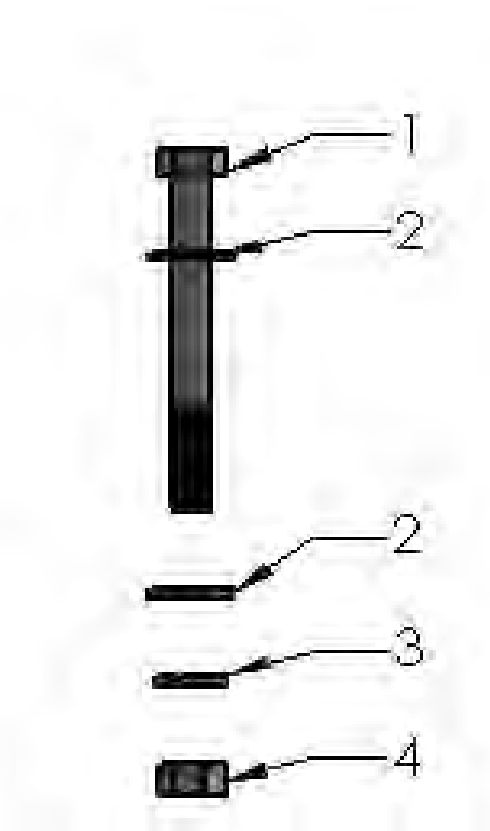
TOOLS NEEDED

Cordless Drill with 3/8" Drill Bit

Wrench

Ratchet with 9/16" Socket

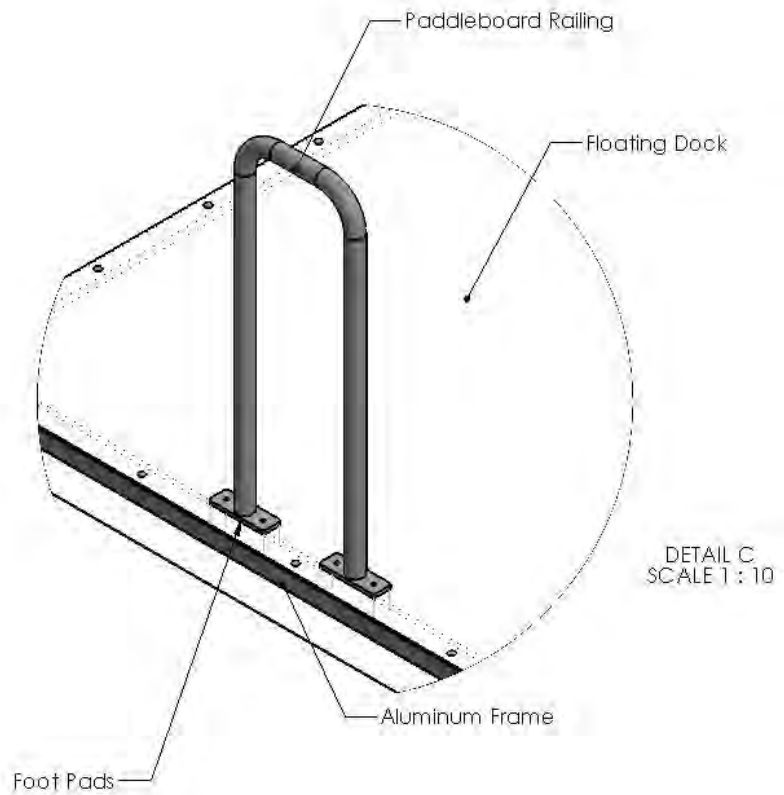
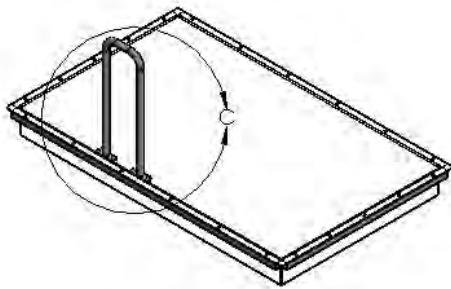
HARDWARE LIST



Label	Description
1	3/8"-16 x 3-1/4" Hex Bolt
2	3/8" Flat Washer
3	3/8" Lock Washer
4	3/8"-16 Hex Nut

STEP ONE

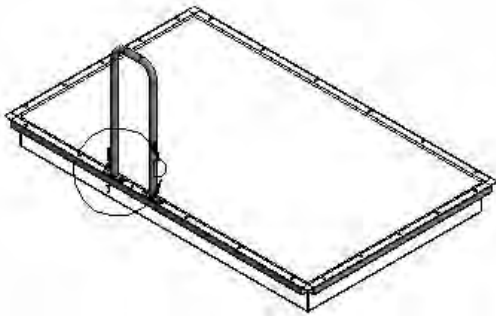
Determine the desired location of the railing along the perimeter of the float. Make sure the holes on the foot pads will not interfere with any pre-existing hardware. 3/8" holes (4x) will need to be drilled so that the railing attaches to the aluminum frame of the float. See Detail C.



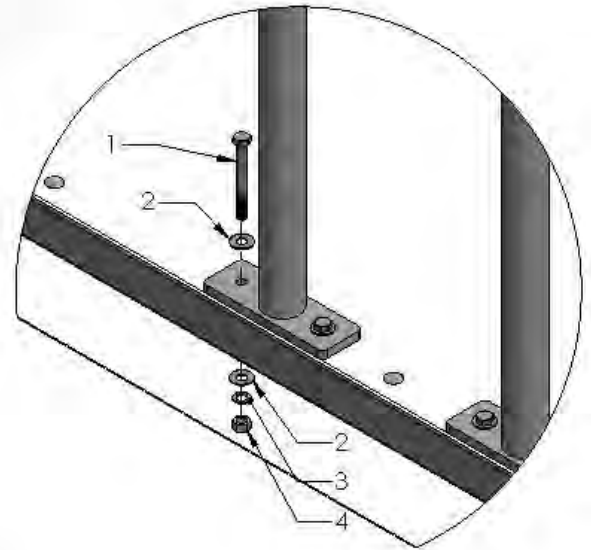
STEP TWO

Using a drill with a 3/8" drill bit, drill through the foot pads and float frame. From the top, install the 3/8"-16 hex bolts and flat washers. From the bottom, install additional flat washers, lock washers, and hex nuts. Fasten together the paddleboard railing to the float. See Detail D.

Be sure to tighten all of your bolts and inspect your work.



DETAIL D
SCALE 1:5

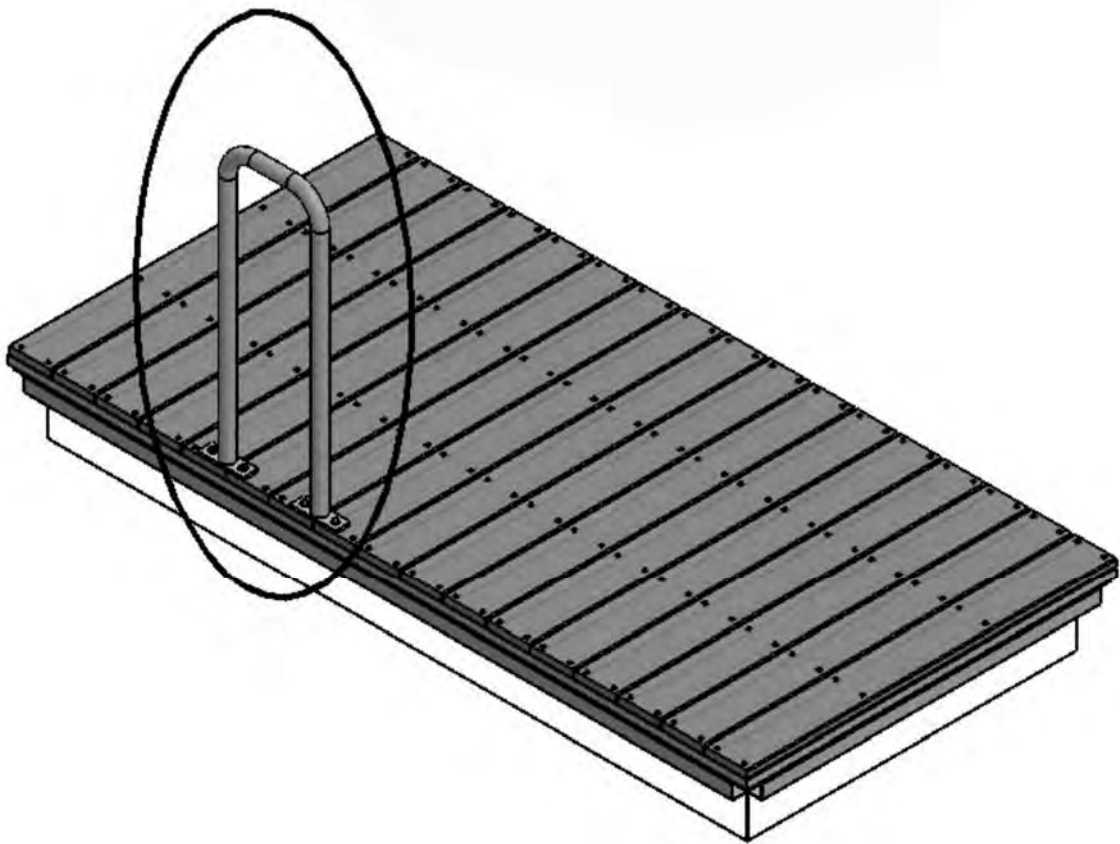




FOR MORE INFORMATION CALL 954.785.7557 OR
EMAIL SALES@ACCUDOCK.COM
WWW.ACCUDOCK.COM



INSTALLATION INSTRUCTIONS



Paddleboard Railing to Decked Dock






BEFORE INSTALLATION

Thank you for your purchase with AccuDock. Our products have been constructed for durability and designed for easy installation. Please take the time to read these instructions carefully before installing your accessory.

Check your package carefully to ensure you have all parts and hardware listed below. Should you be missing any of the hardware please contact us.

PARTS LIST

While unpacking, please be sure to not discard any of the parts. Set them aside on a flat surface and ensure all parts are present prior to installation.

Part	Qty	
Paddleboard Railing (ACC-PBR)	1	
3/8"-16 x 5-1/2" Hex Bolt	4	
3/8" Flat Washer	8	
3/8" Lock Washer	4	
3/8"-16 Hex Nut	4	

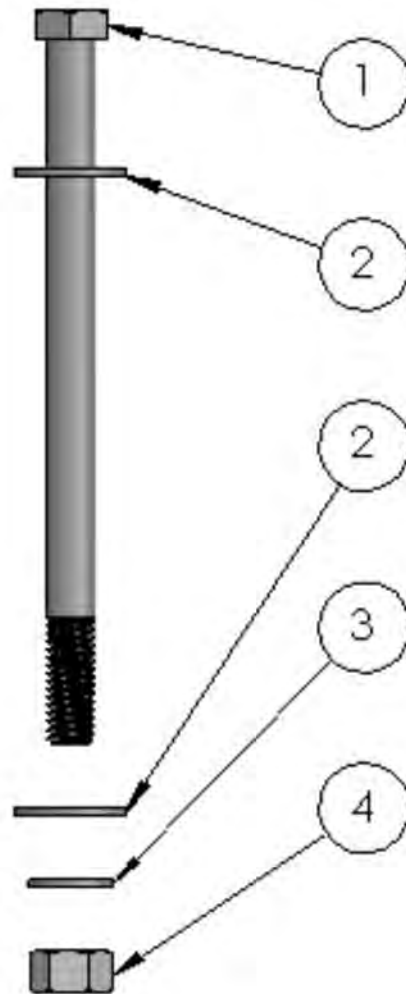
TOOLS NEEDED

Cordless Drill with 3/8" Drill Bit

Wrench

Ratchet with 9/16" Socket

HARDWARE LIST

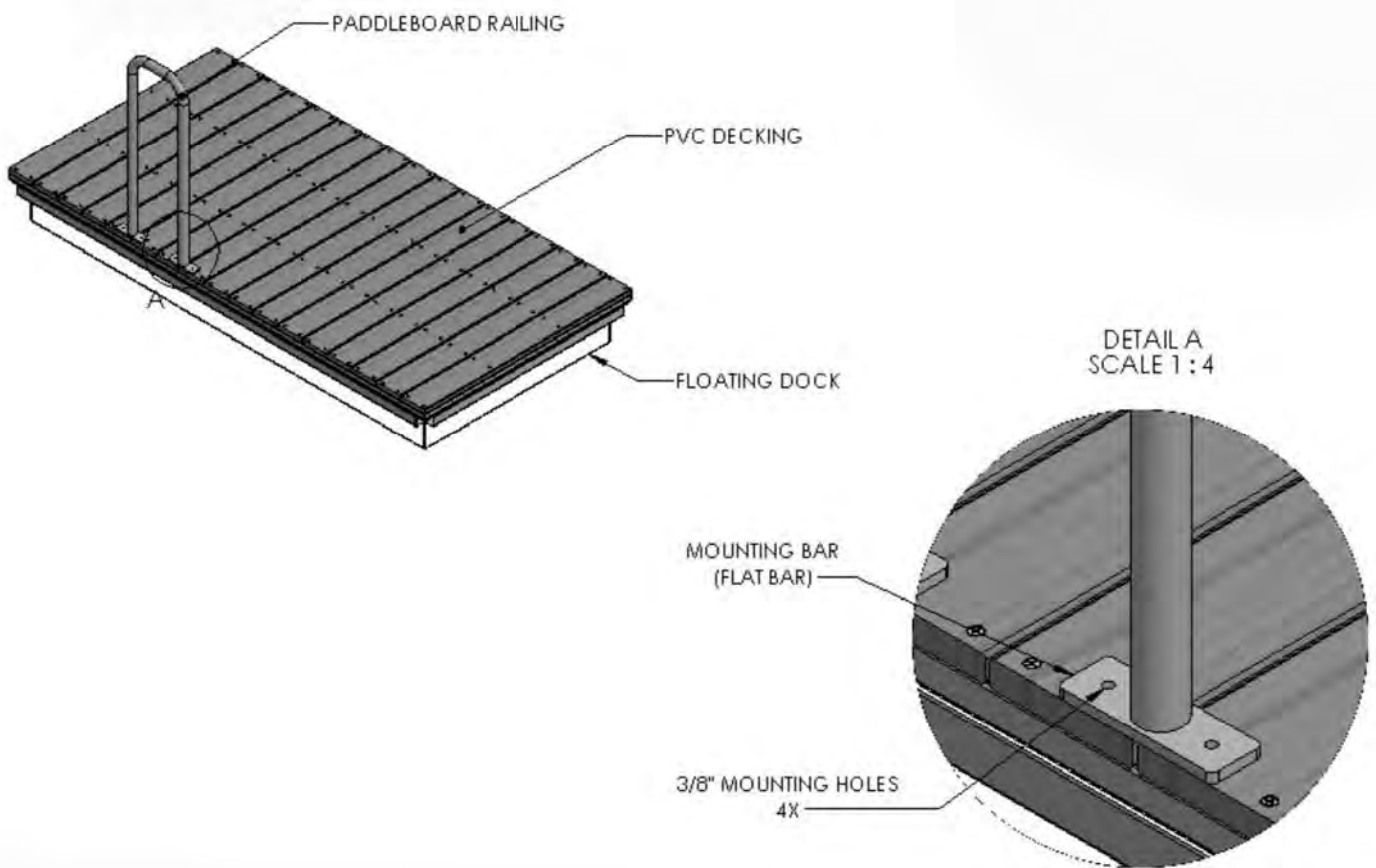


Label	Description
1	3/8"-16 x 5-1/2" Hex Bolt
2	3/8" Flat Washer
3	3/8" Lock Washer
4	3/8"-16 Hex Nut

STEP ONE

The Paddleboard Railing will be bolted to the aluminum dock frame using 3/8" hardware. Holes will have to be drilled through the PVC decking, deck frame, floats lid and float frames. See Detail A.

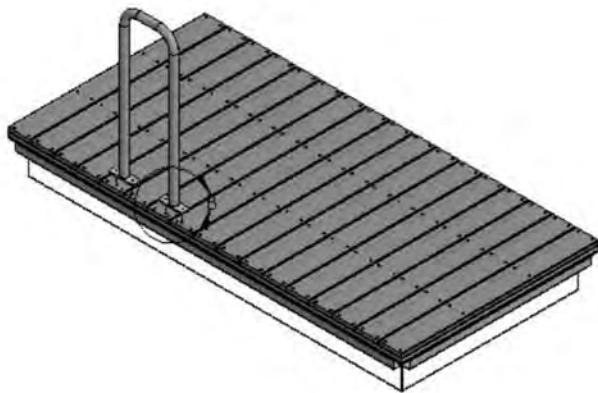
Note: Paddleboard Railing location varies according to customer needs/requirements.



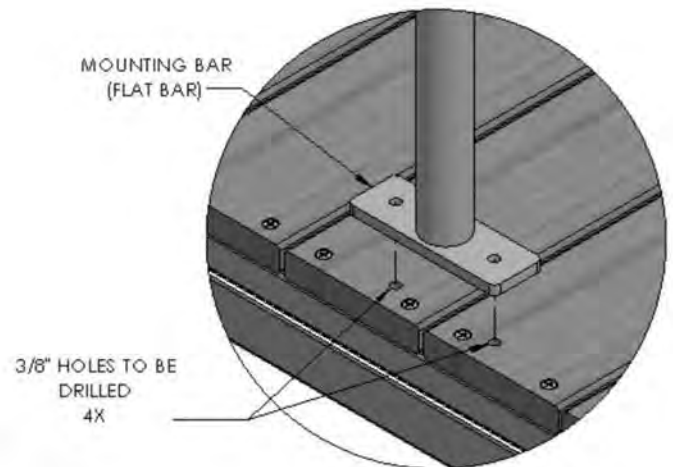
STEP TWO

The flat bar sections should sit flush with the edge of the PVC decking and the float's aluminum frame. Using a 3/8" drill bit, use the existing holes on the paddleboard railing mounting bars as a guide and drill 4 thru-all holes, beginning with the PVC decking and ending with the float frame. Make sure that the holes do not interfere with any existing hardware. See Detail B.

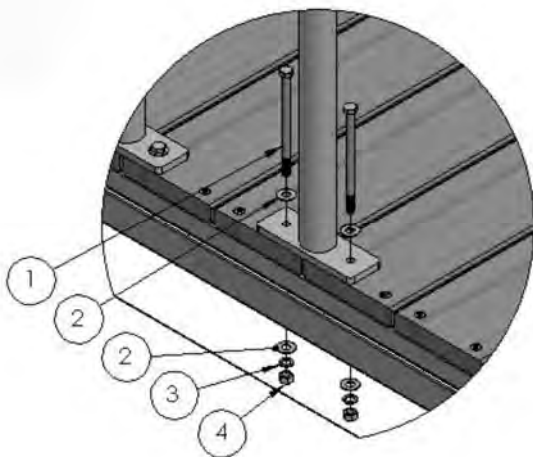
After drilling the 4 mounting holes, insert the 3/8" hex bolts and flat washers from the top. Insert flat washers, lock washers and hex nuts from the bottom. Fasten the paddleboard railing to the framed floats. See Detail C. Be sure to tighten all of your bolts and inspect your work.



DETAIL B
SCALE 1 : 4



DETAIL C
SCALE 1 : 6

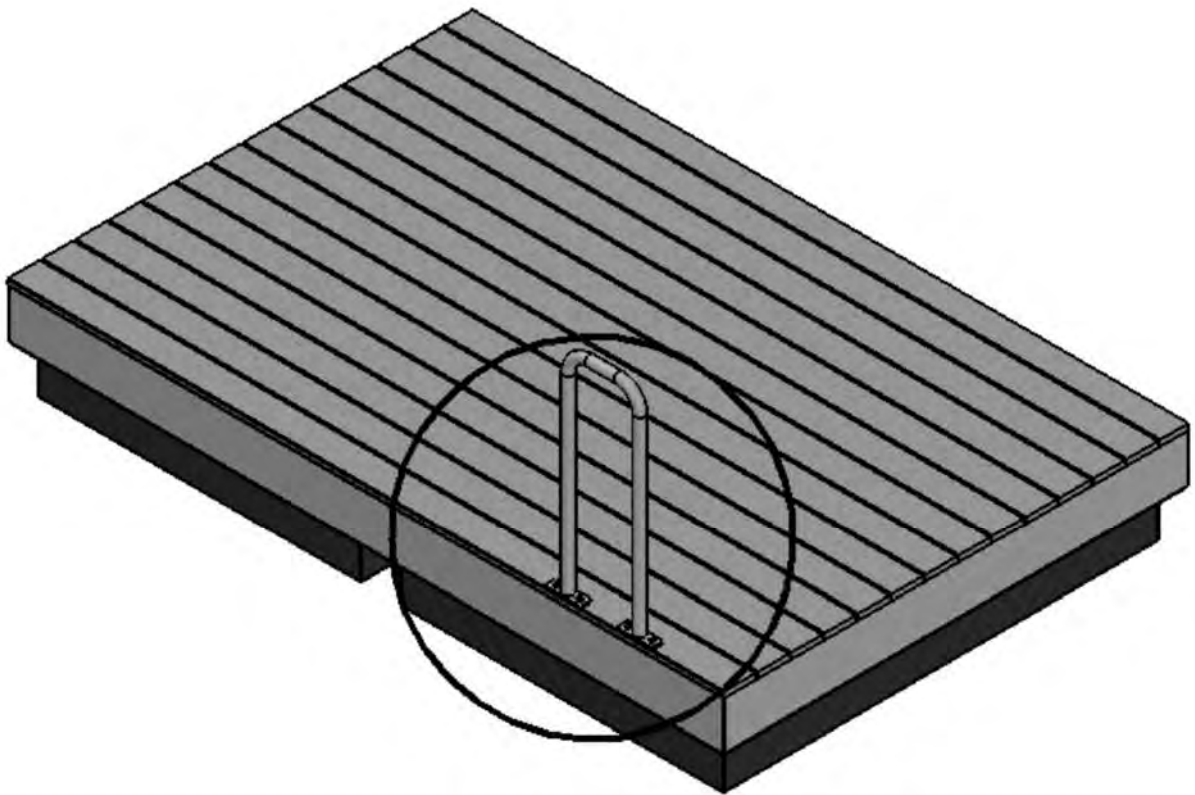




FOR MORE INFORMATION CALL 954.785.7557 OR
EMAIL SALES@ACCUDOCK.COM
WWW.ACCUDOCK.COM



INSTALLATION INSTRUCTIONS



Paddleboard Railing to Aluminum Floating Dock






BEFORE INSTALLATION

Thank you for your purchase with AccuDock. Our products have been constructed for durability and designed for easy installation. Please take the time to read these instructions carefully before installing your accessory.

Check your package carefully to ensure you have all parts and hardware listed below. Should you be missing any of the hardware please contact us.

PARTS LIST

While unpacking, please be sure to not discard any of the parts. Set them aside on a flat surface and ensure all parts are present prior to installation.

Part	Qty	
Paddleboard Railing (ACC-PBR)	1	
3/8"-16 x 2-1/2" Hex Bolt	4	
3/8" Flat Washer	8	
3/8" Lock Washer	4	
3/8"-16 Hex Nut	4	

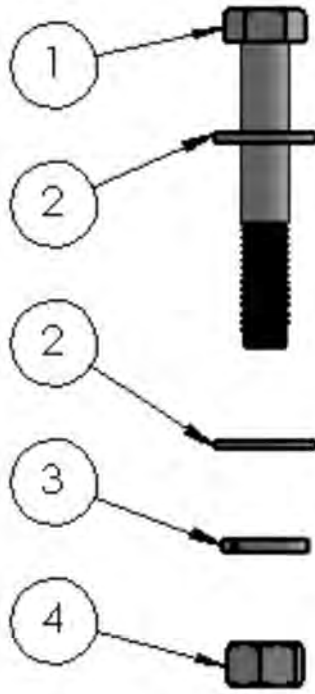
TOOLS NEEDED

Cordless Drill with 3/8" Drill Bit

Wrench

Ratchet with 9/16" Socket

HARDWARE LIST



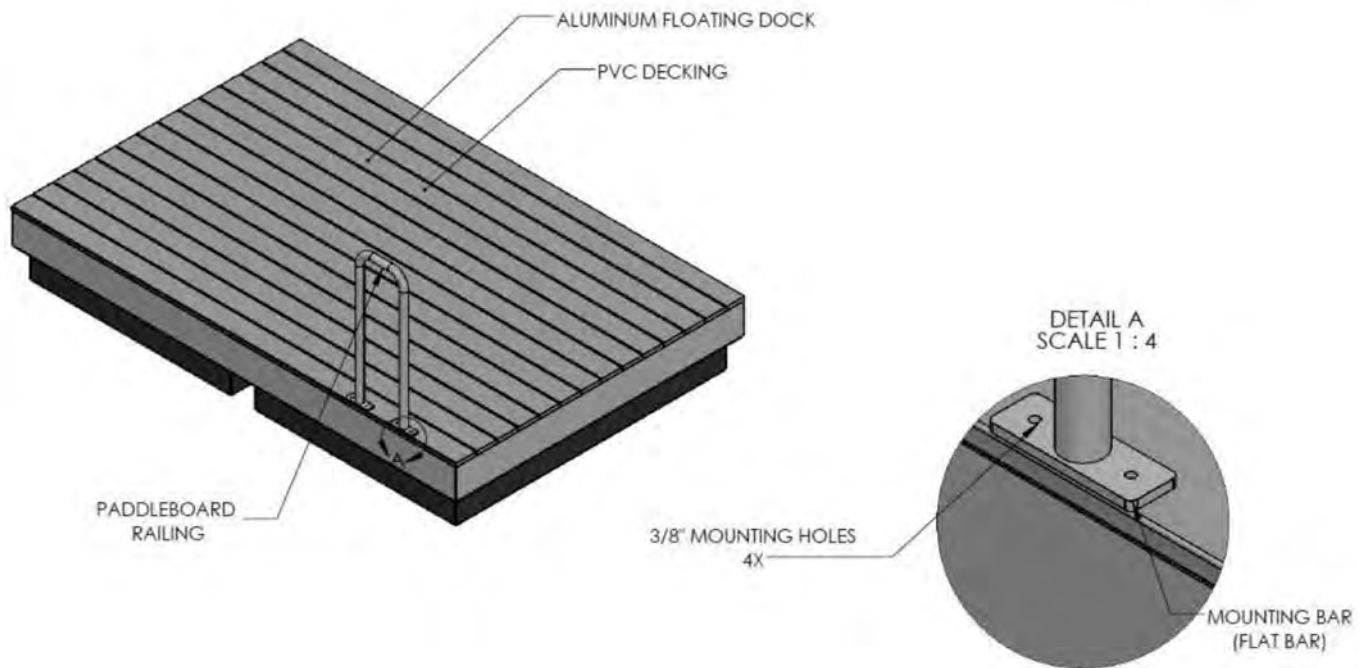
SCALE 1 : 2

Label	Description
1	3/8"-16 x 2-1/2" Hex Bolt
2	3/8" Flat Washer
3	3/8" Lock Washer
4	3/8"-16 Hex Nut

STEP ONE

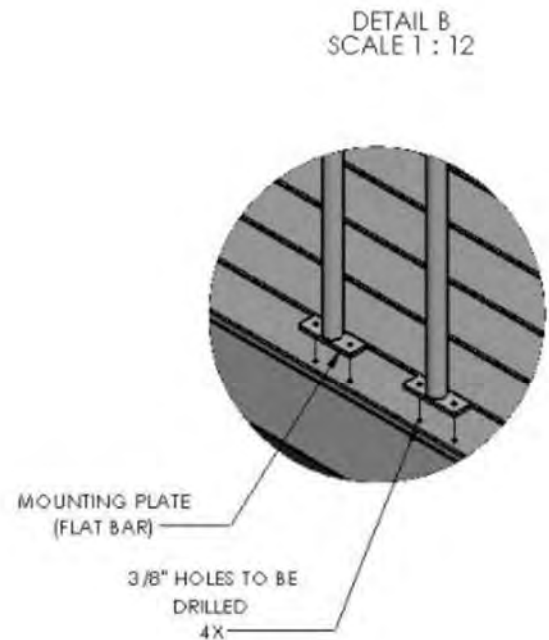
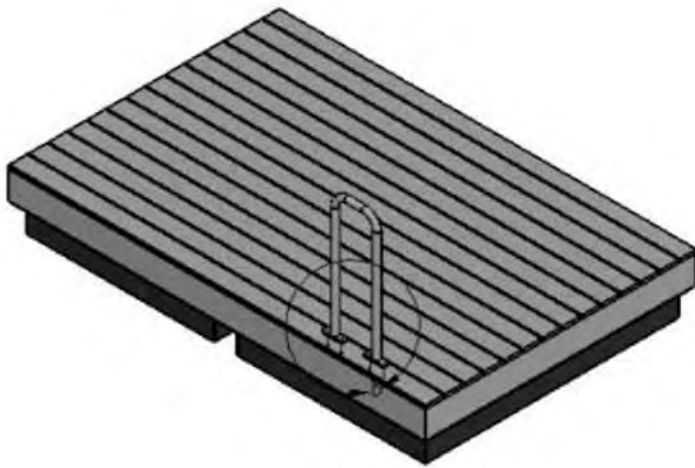
The Paddleboard Railing will be bolted to the C-Channel top lip (frame) using 3/8" hardware. Holes will have to be drilled through the PVC decking and the C-Channel top lip (frame). See Detail A.

Note: Paddleboard Railing location varies according to customer needs/requirements.



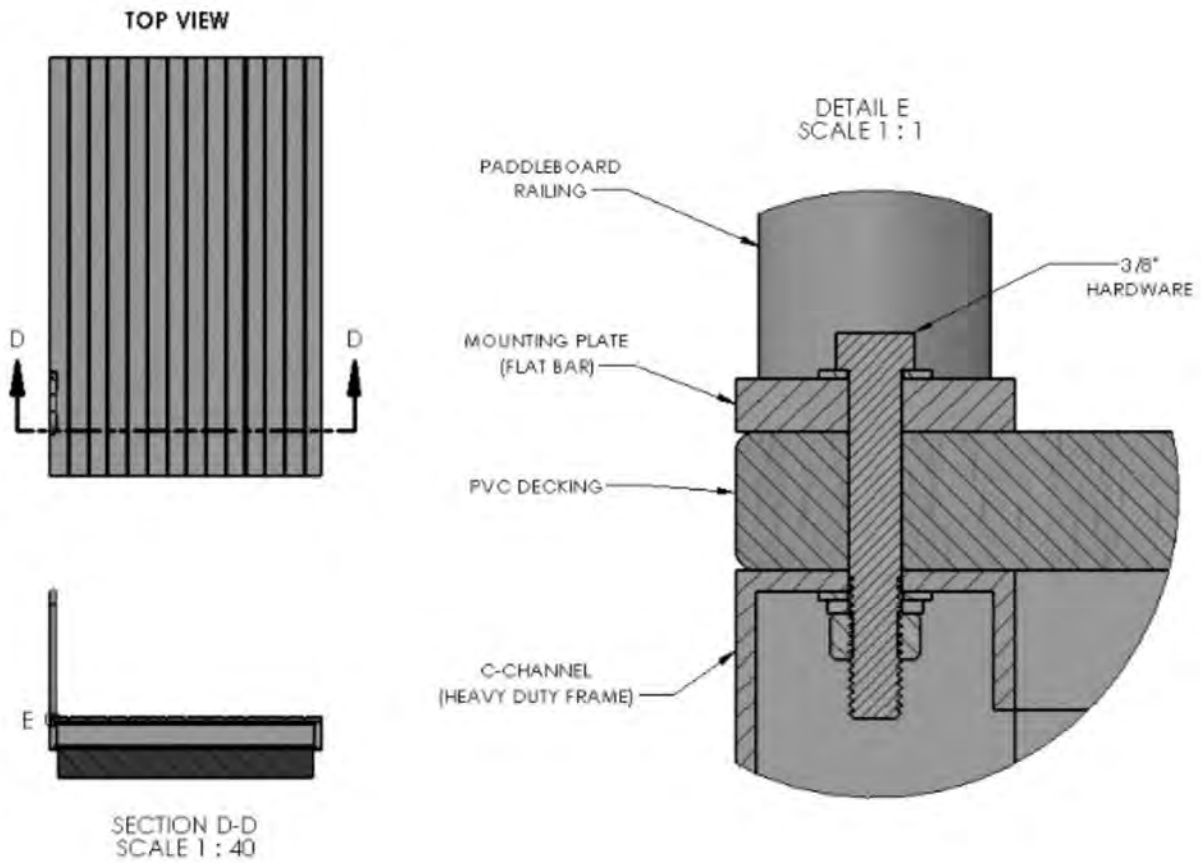
STEP TWO

The mounting plates (flat bar sections) should sit flush with the edge of the PVC decking and the C-Channel (frame). Next, using a drill with a 3/8" drill bit, drill 4 blind holes beginning with the PVC decking and ending with the C-Channel top lip (frame). Use the existing holes on the Paddleboard Railing mounting plates as a guide. Make sure that the holes do not interfere with any existing hardware. See Detail B.



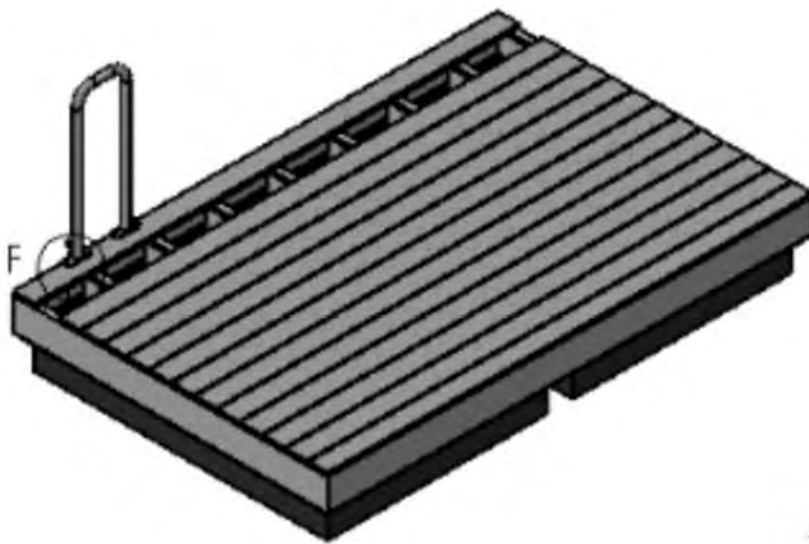
STEP THREE

Additional illustrations. See Detail D and E.

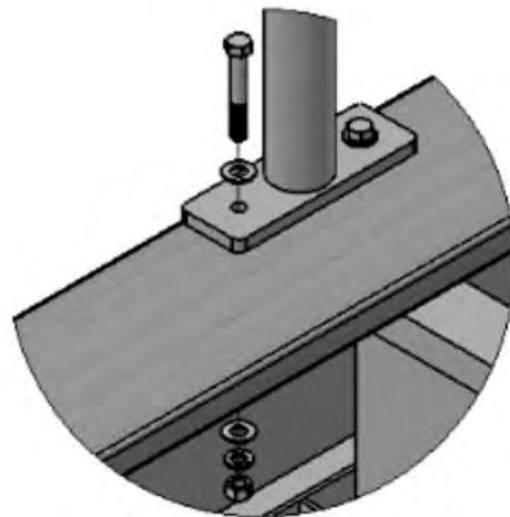


STEP FOUR

Once the 3/8" holes have been drilled, remove the PVC deck boards adjacent to where the Paddleboard Railing will be located. Insert 3/8" hex bolts and flat washers from the top. Insert flat washers, lock washers, and hex nuts from the bottom. Lastly, fasten the Paddleboard Railing to the C-Channel top lip and install the previously removed PVC deck boards. See Detail F.



DETAIL F
SCALE 1 : 4

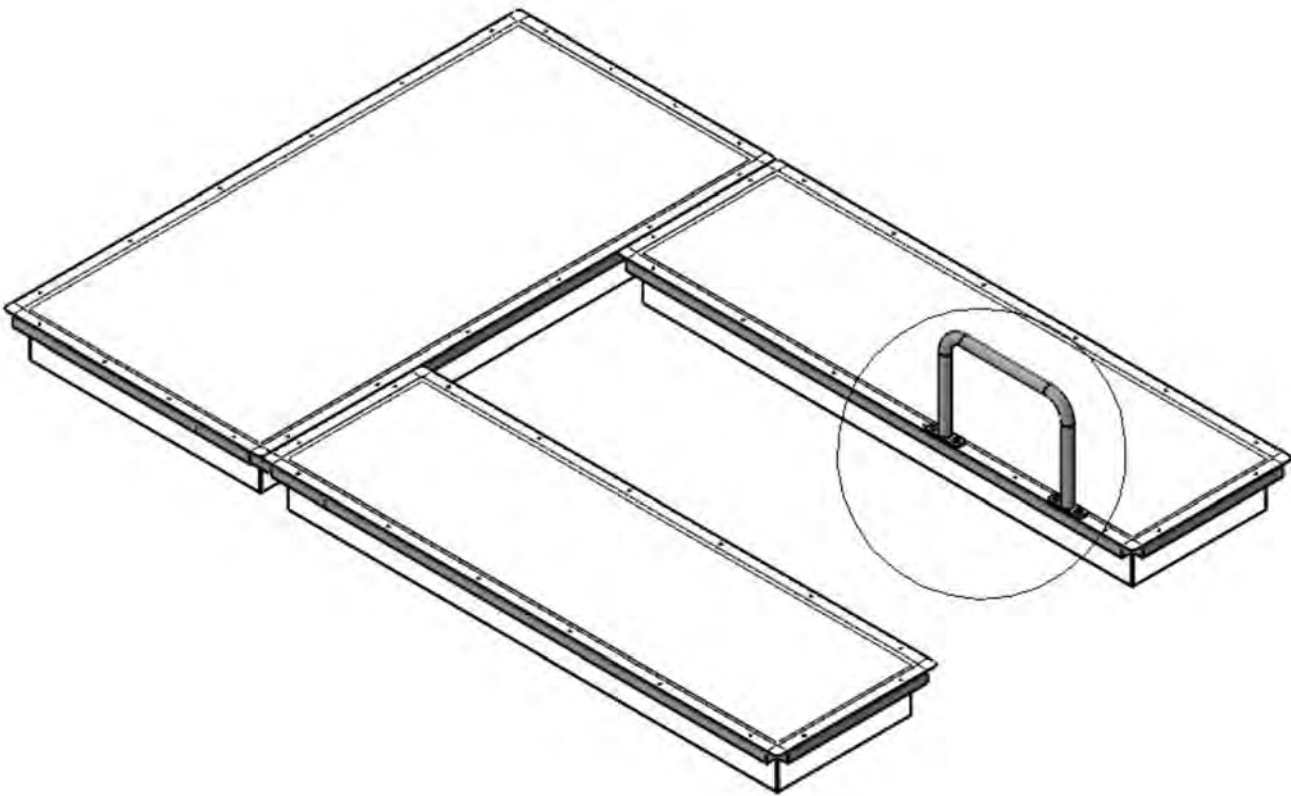




FOR MORE INFORMATION CALL 954.785.7557 OR
EMAIL SALES@ACCUDOCK.COM
WWW.ACCUDOCK.COM



INSTALLATION INSTRUCTIONS



Side Assist Railing






BEFORE INSTALLATION

Thank you for your purchase with AccuDock. Our products have been constructed for durability and designed for easy installation. Please take the time to read these instructions carefully before installing your accessory.

Check your package carefully to ensure you have all parts and hardware listed below. Should you be missing any of the hardware please contact us.

PARTS LIST

While unpacking, please be sure to not discard any of the parts. Set them aside on a flat surface and ensure all parts are present prior to installation.

Part	Qty	
Side Assist Railing (ACC-SR2)	1	
3/8"-16 x 3-1/4" Hex Bolt	4	
3/8" Flat Washer	8	
3/8" Lock Washer	4	
3/8"-16 Hex Nut	4	

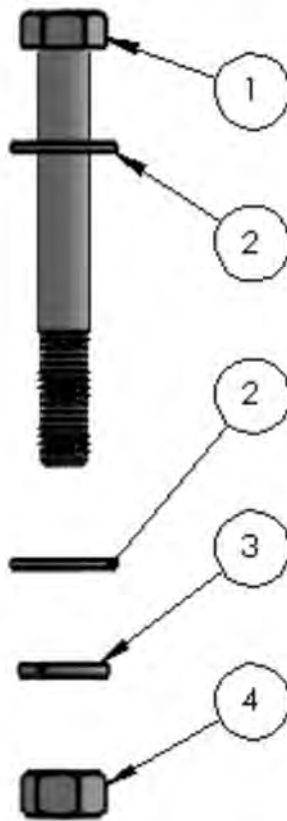
TOOLS NEEDED

Cordless Drill with 3/8" Drill Bit

Wrench

Ratchet with 9/16" Socket

HARDWARE LIST

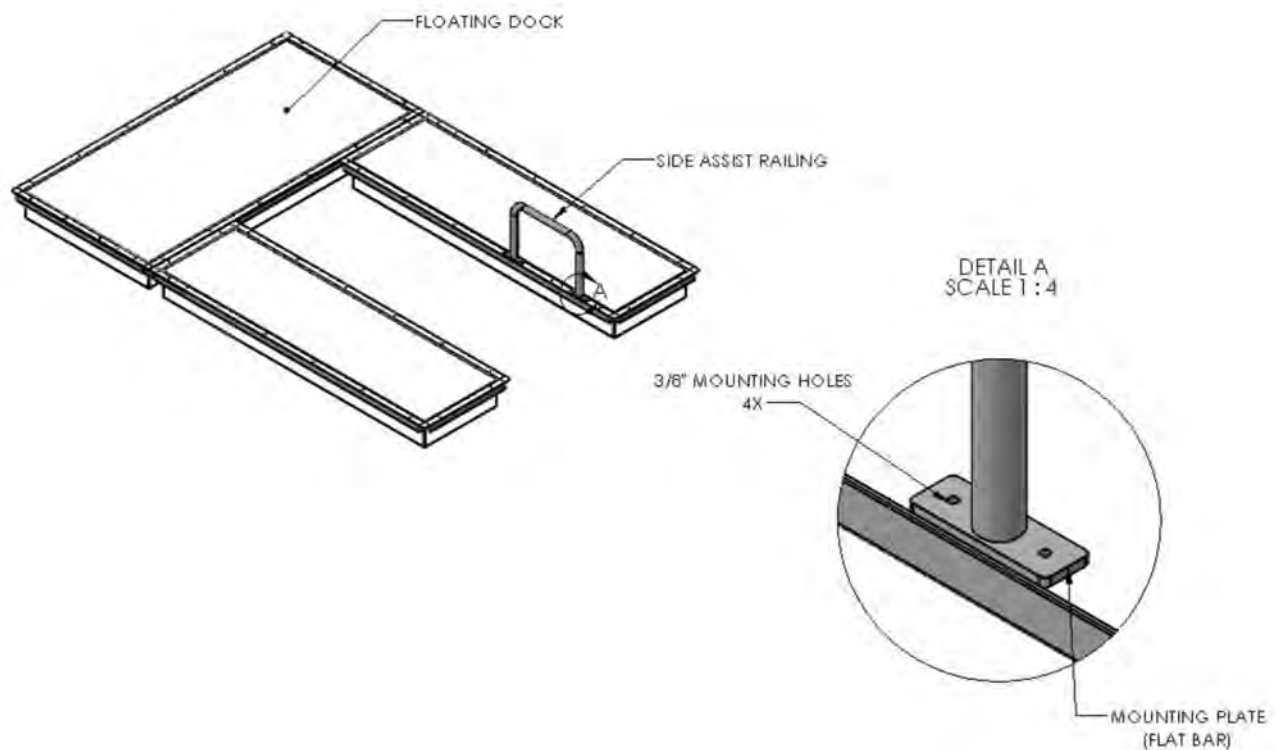


Label	Description
1	3/8"-16 x 3-1/4" Hex Bolt
2	3/8" Flat Washer
3	3/8" Lock Washer
4	3/8"-16 Hex Nut

STEP ONE

The Side Assist Railing will be bolted to the aluminum dock frame using 3/8" hardware. Holes will have to be drilled through the float lid and float frame. See Detail A.

Notes: Side Assist Railing location varies according to customer needs/requirements.

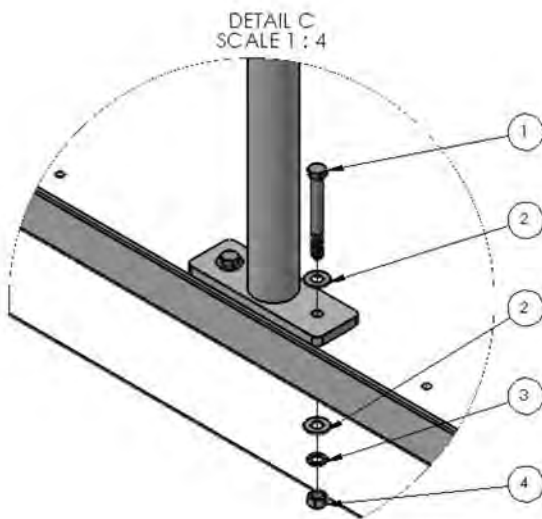
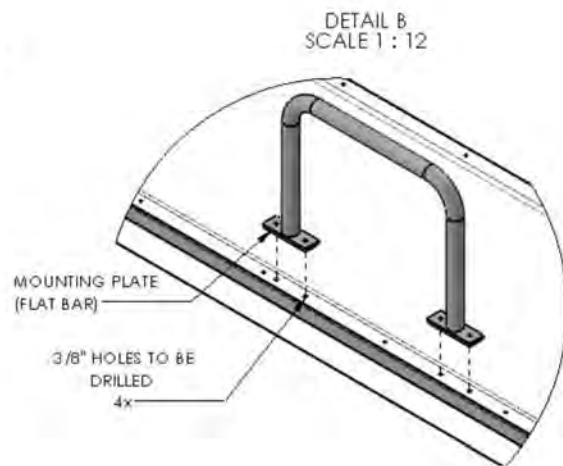
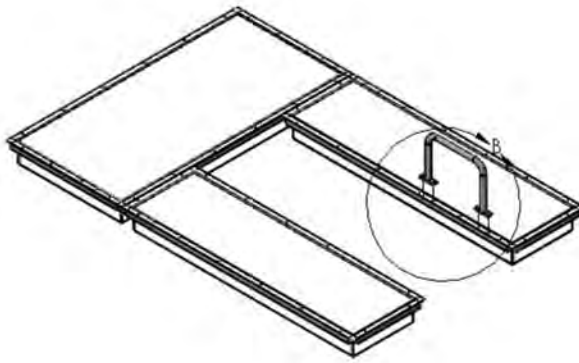


STEP TWO

The flat bar sections should sit flush with the aluminum frame of the float. Using a 3/8" drill bit, use the existing holes on the side assist railing mounting plates as a guide and drill 4 holes through the float's lid and aluminum float frame. Make sure that the holes do not interfere with any existing hardware. See Detail B.

After drilling the 4 mounting holes, insert the 3/8" hex bolts and flat washers from the top. Insert flat washers, lock washers, and hex nuts from the bottom and fasten the side assist railing to the framed floats. See Detail C.

Be sure to tighten all of your bolts and inspect your work.

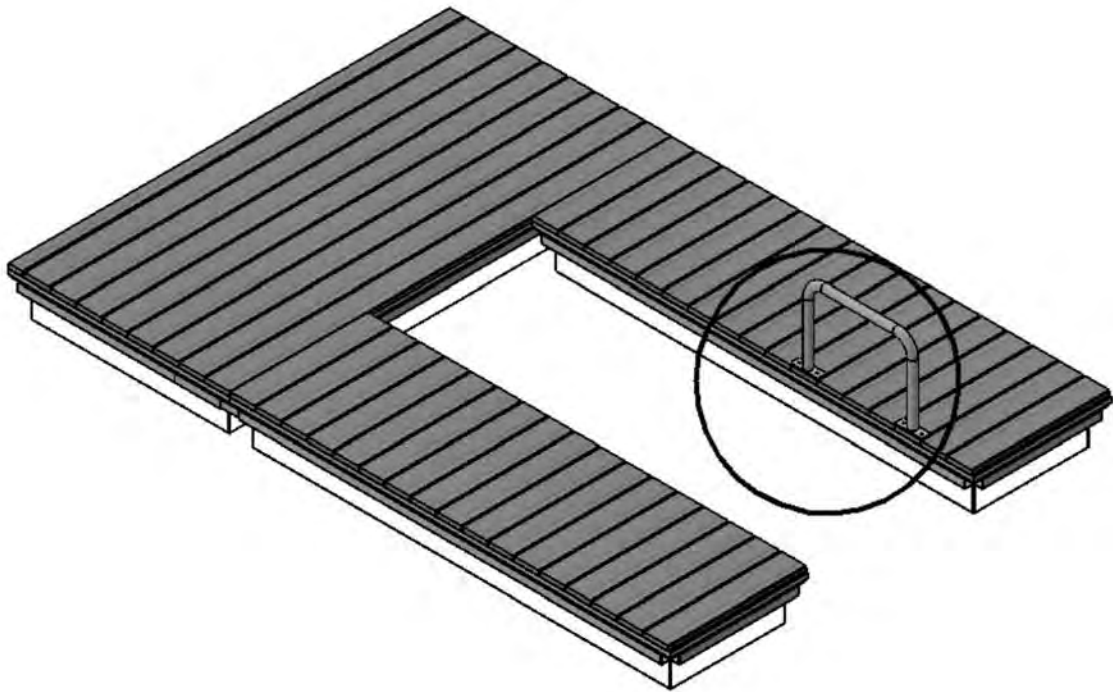




FOR MORE INFORMATION CALL 954.785.7557 OR
EMAIL SALES@ACCUDOCK.COM
WWW.ACCUDOCK.COM



INSTALLATION INSTRUCTIONS



Side Assist Railing to Decked Dock






BEFORE INSTALLATION

Thank you for your purchase with AccuDock. Our products have been constructed for durability and designed for easy installation. Please take the time to read these instructions carefully before installing your accessory.

Check your package carefully to ensure you have all parts and hardware listed below. Should you be missing any of the hardware please contact us.

PARTS LIST

While unpacking, please be sure to not discard any of the parts. Set them aside on a flat surface and ensure all parts are present prior to installation.

Part	Qty	
Side Assist Railing (ACC-SR2)	1	
3/8"-16 x 5-1/2" Hex Bolt	4	
3/8" Flat Washer	8	
3/8" Lock Washer	4	
3/8"-16 Hex Nut	4	

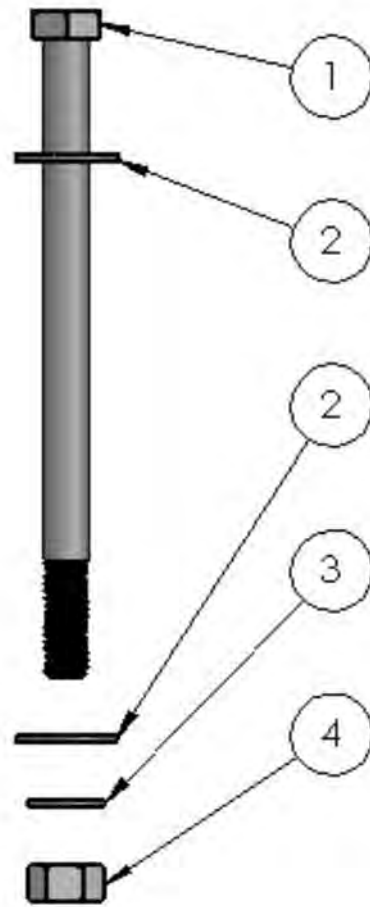
TOOLS NEEDED

Cordless Drill with 3/8" Drill Bit

Wrench

Ratchet with 9/16" Socket

HARDWARE LIST

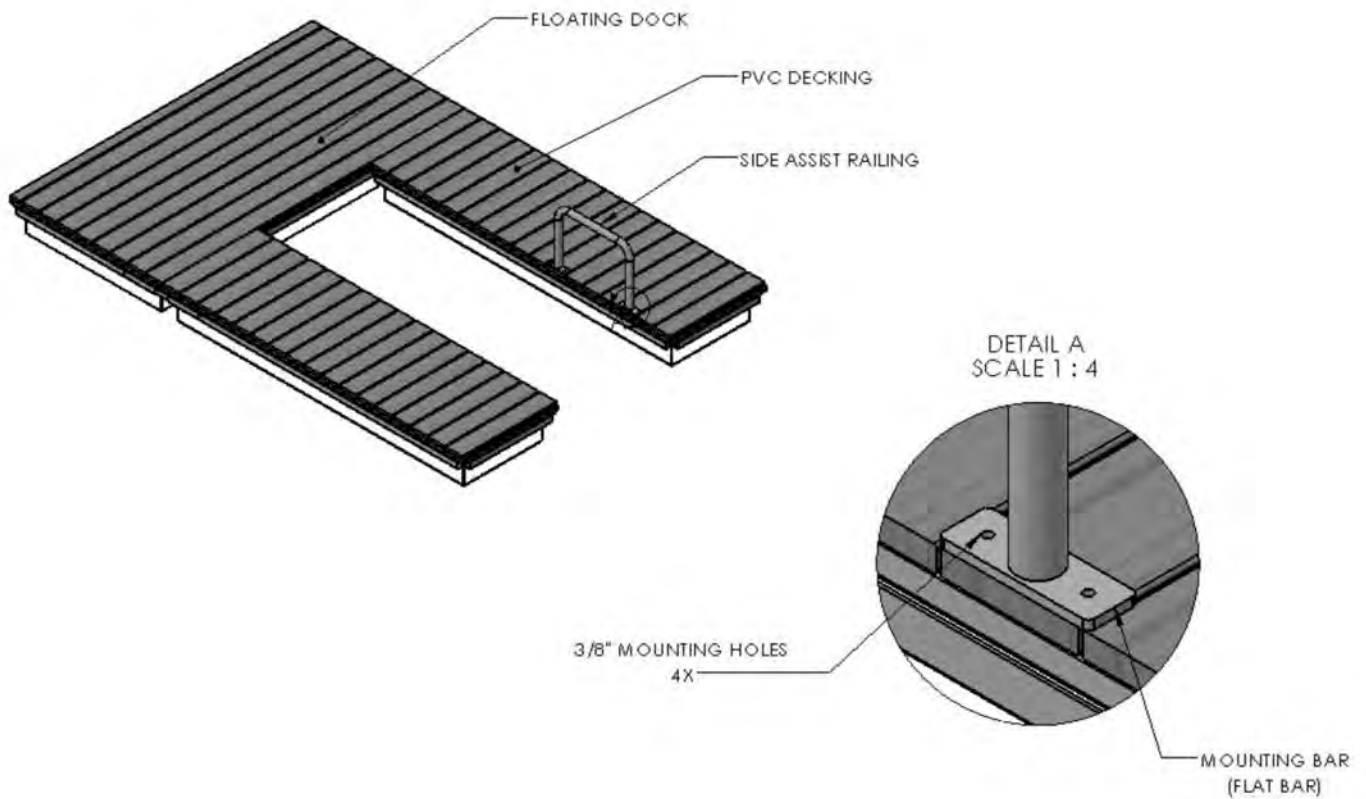


Label	Description
1	3/8"-16 x 5-1/2" Hex Bolt
2	3/8" Flat Washer
3	3/8" Lock Washer
4	3/8"-16 Hex Nut

STEP ONE

The Side Assist Railing will be bolted to the aluminum dock frame using 3/8" hardware. Holes will have to be drilled through the PVC decking, deck frame, float lid and float frames. See Detail A.

Notes: Side Assist Railing location varies according to customer needs/requirements.

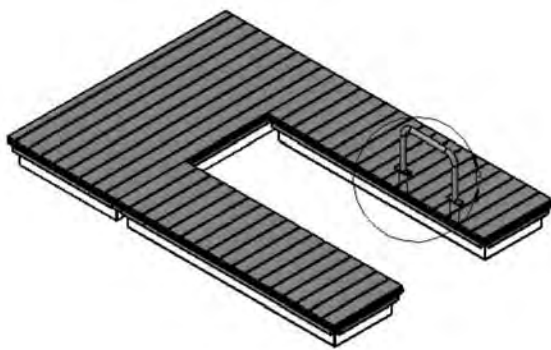


STEP TWO

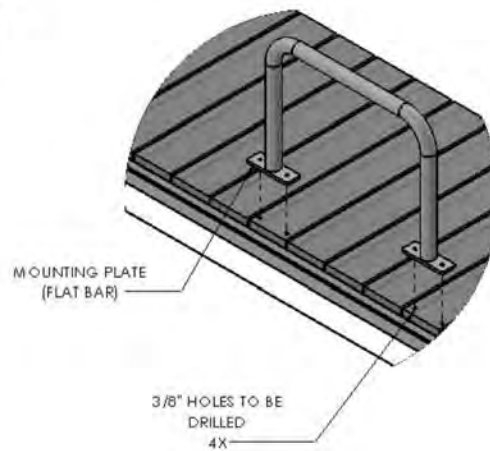
The flat bar sections should sit flush with the edge of the PVC decking and the float's aluminum frame. Using a 3/8" drill bit, use the existing holes on the side assist railing mounting plates as a guide and drill through all 4 holes, beginning with the PVC decking and ending with the float frame. Make sure that the holes do not interfere with any existing hardware. See Detail B.

After drilling the 4 mounting holes, insert 3/8" hex bolts and flat washers from the top. Insert flat washers, lock washers, and hex nuts from the bottom. Fasten the side assist railing to the framed floats. See Detail C.

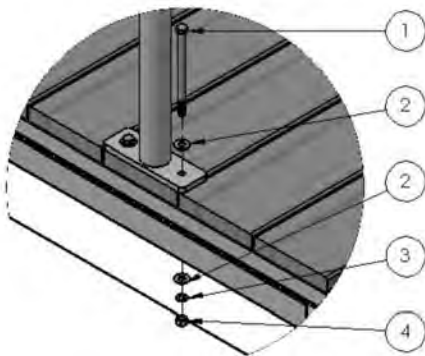
Be sure to tighten all of your bolts and inspect your work.



DETAIL B
SCALE 1 : 12



DETAIL C
SCALE 1 : 6

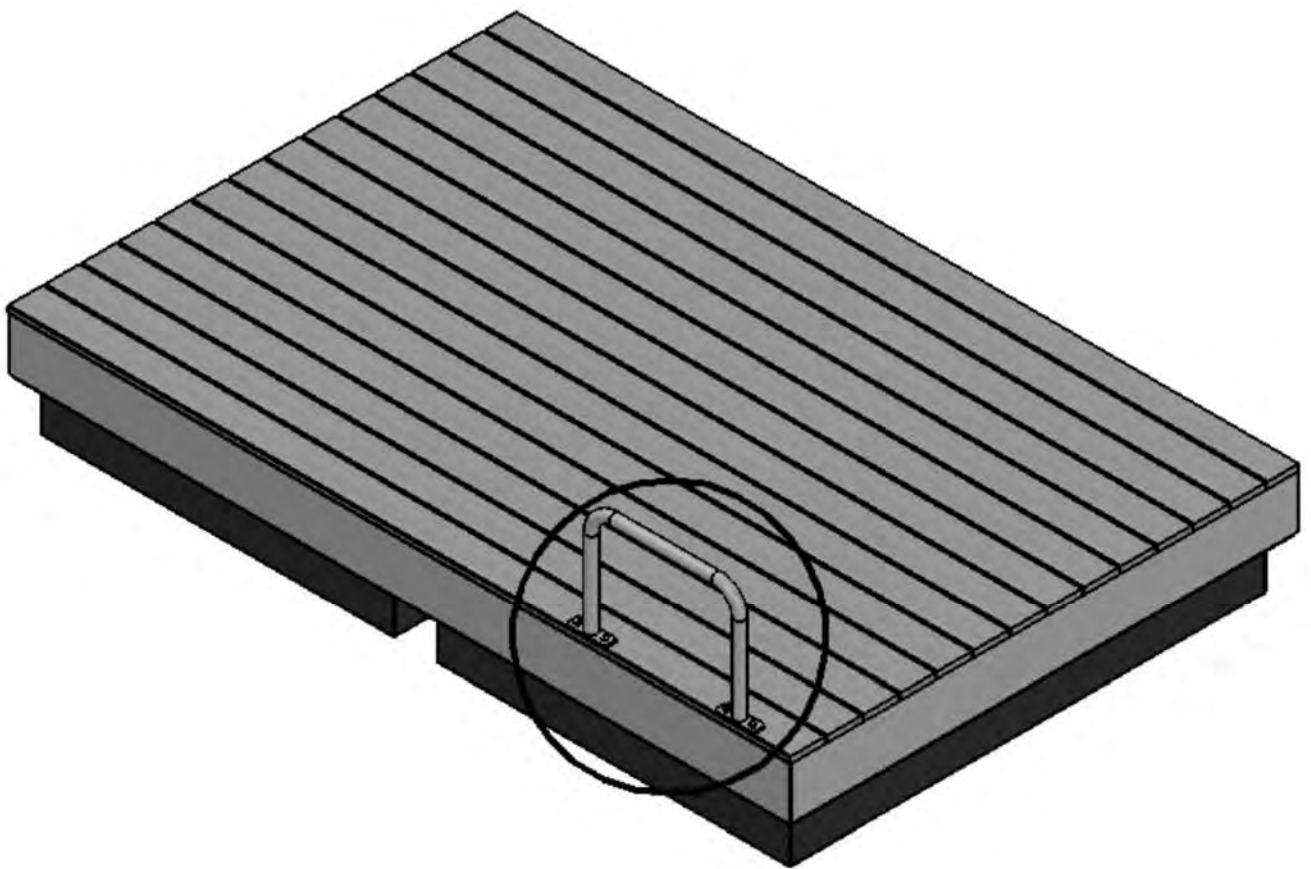




FOR MORE INFORMATION CALL 954.785.7557 OR
EMAIL SALES@ACCUDOCK.COM
WWW.ACCUDOCK.COM



INSTALLATION INSTRUCTIONS



Side Assist Railing to Aluminum Floating Dock






BEFORE INSTALLATION

Thank you for your purchase with AccuDock. Our products have been constructed for durability and designed for easy installation. Please take the time to read these instructions carefully before installing your accessory.

Check your package carefully to ensure you have all parts and hardware listed below. Should you be missing any of the hardware please contact us.

PARTS LIST

While unpacking, please be sure to not discard any of the parts. Set them aside on a flat surface and ensure all parts are present prior to installation.

Part	Qty	
Side Assist Railing (ACC-SR2)	1	
3/8"-16 x 2-1/2" Hex Bolt	4	
3/8" Flat Washer	8	
3/8" Lock Washer	4	
3/8"-16 Hex Nut	4	

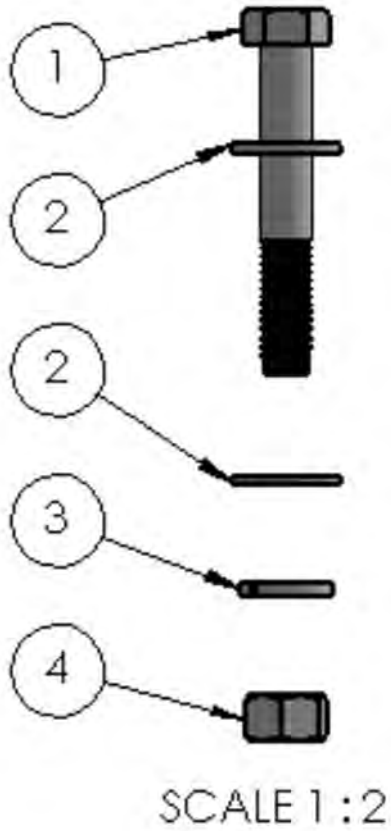
TOOLS NEEDED

Cordless Drill with 3/8" Drill Bit

Wrench

Ratchet with 9/16" Socket

HARDWARE LIST

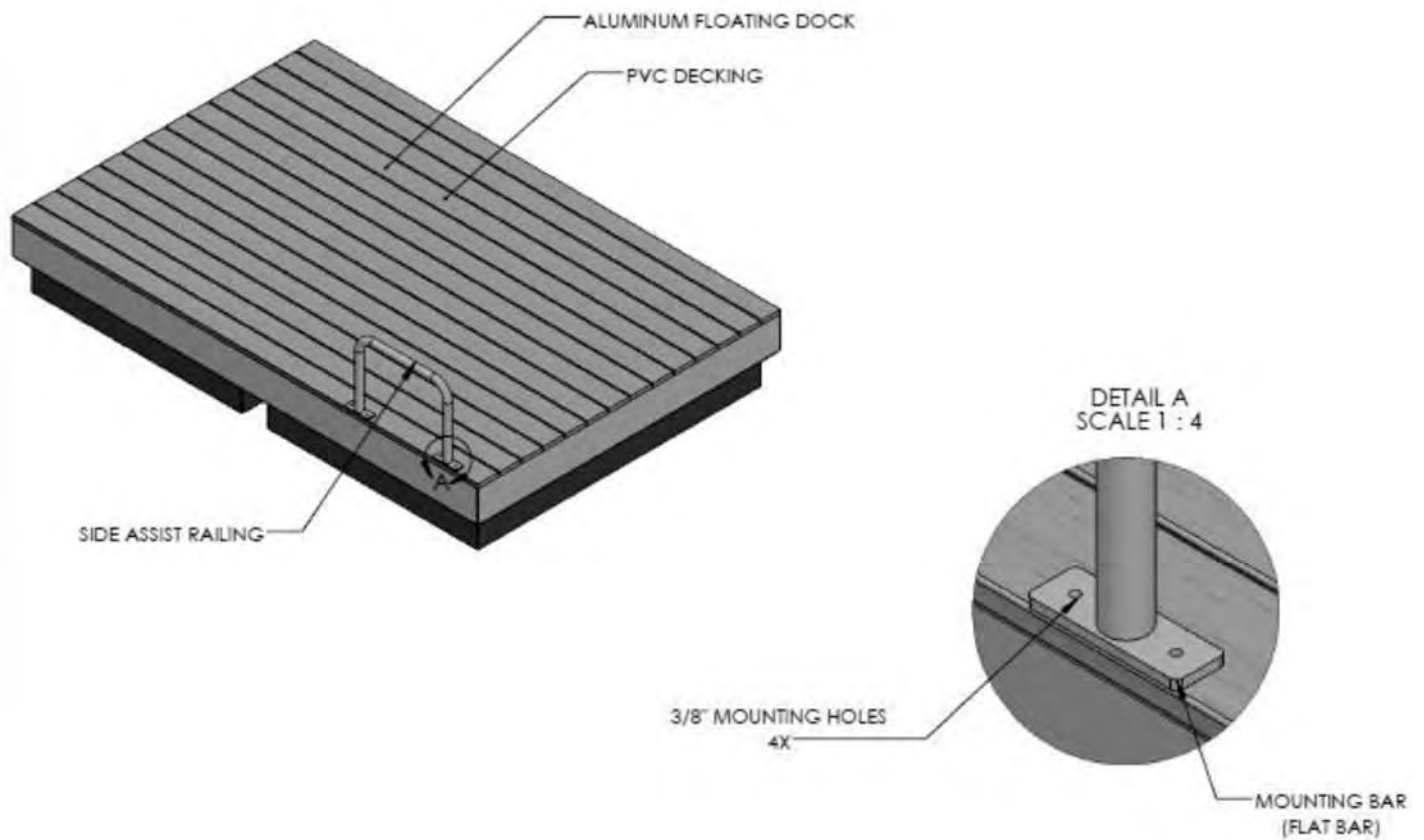


Label	Description
1	3/8"-16 x 2-1/2" Hex Bolt
2	3/8" Flat Washer
3	3/8" Lock Washer
4	3/8"-16 Hex Nut

STEP ONE

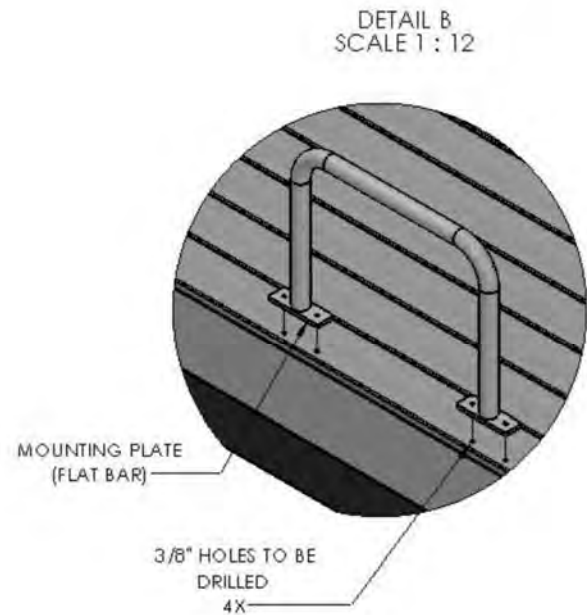
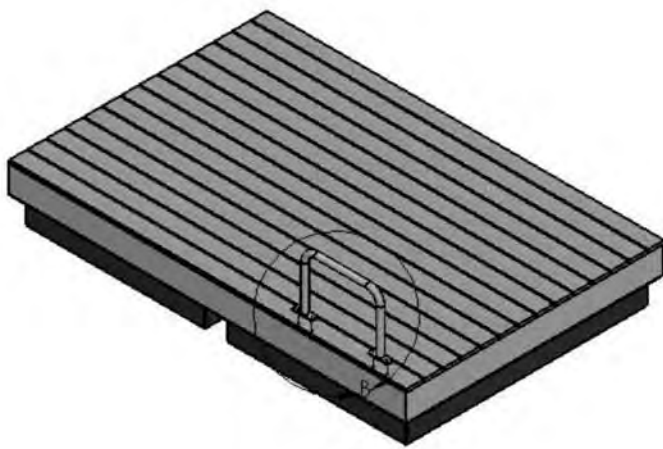
The Side Assist Railing will be bolted to the C-Channel top lip (frame) using 3/8" hardware. Holes will have to be drilled through the PVC decking and the C-Channel top lip (frame). See Detail A.

Note: Side Assist Railing location varies according to customer needs/requirements.



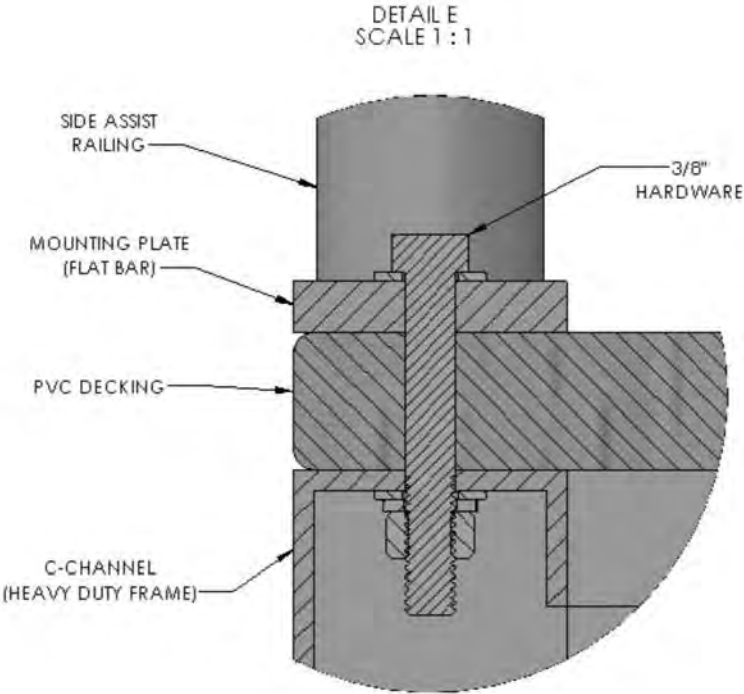
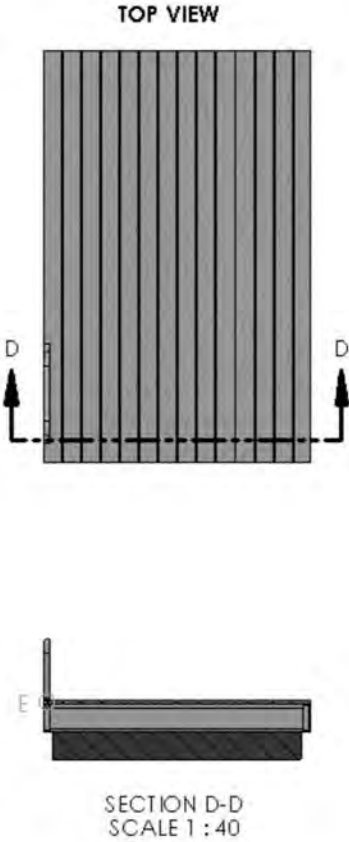
STEP TWO

The mounting plates (flat bar sections) should sit flush with the edge of the PVC decking and the C-Channel (frame). Next, using a drill with a 3/8" drill bit, drill 4 blind holes beginning with the PVC decking and ending with the C-Channel top lip (frame). Use the existing holes on the Side Assist Railing mounting plates as a guide. Make sure that the holes do not interfere with any existing hardware. See Detail B.



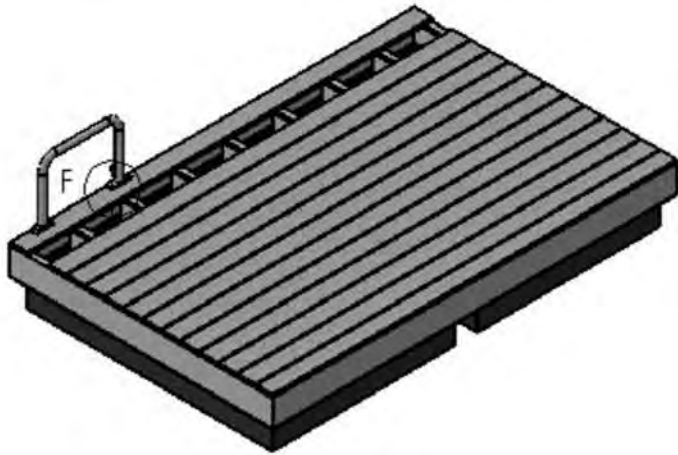
STEP THREE

Additional illustrations. See Detail D and E.

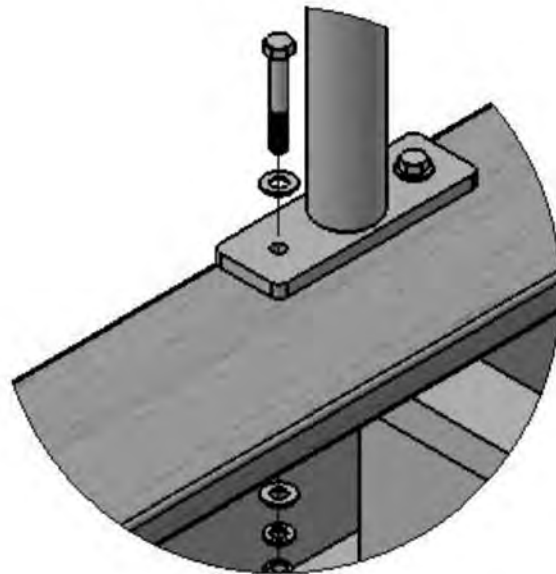


STEP FOUR

Once the 3/8" holes have been drilled, remove the PVC deck boards adjacent to where the Side Assist Railing will be located. Insert 3/8" hex bolts and flat washers from the top. Insert flat washers, lock washers, and hex nuts from the bottom. Lastly, fasten the Side Assist Railing to the C-Channel top lip and install the previously removed PVC deck boards. See Detail F.



DETAIL F
SCALE 1 : 4

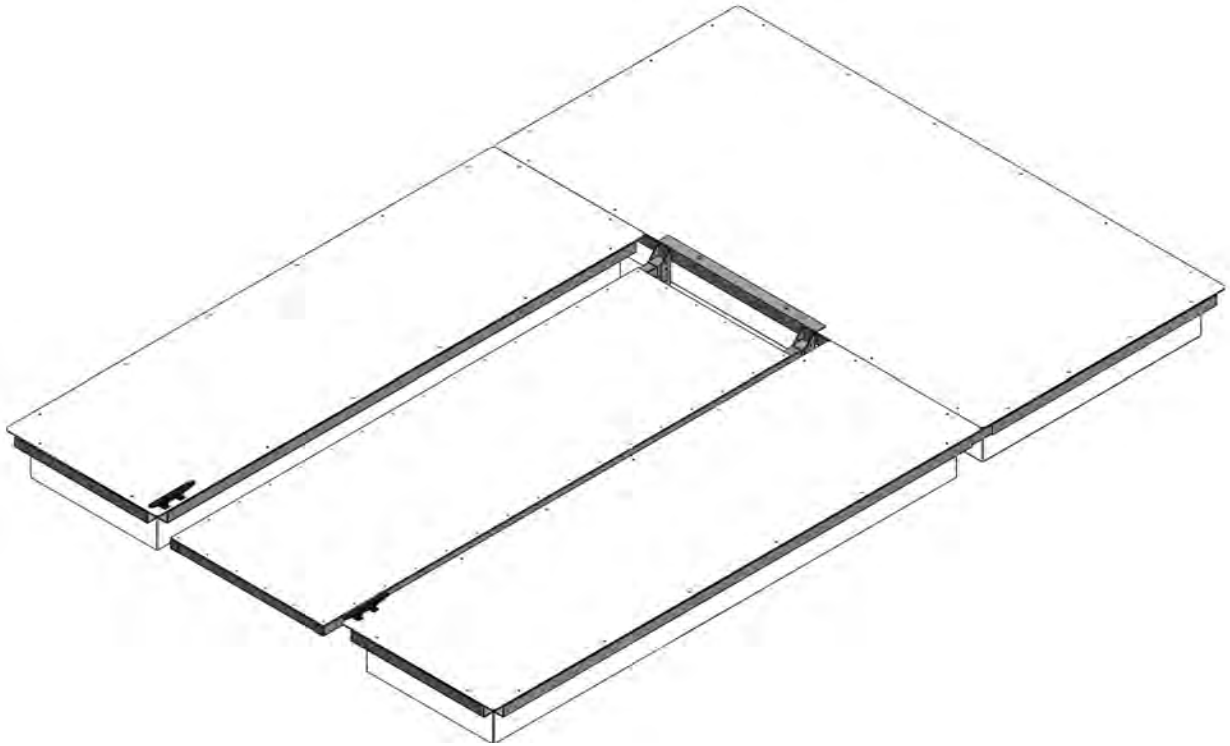




FOR MORE INFORMATION CALL 954.785.7557 OR
EMAIL SALES@ACCUDOCK.COM
WWW.ACCUDOCK.COM



INSTALLATION INSTRUCTIONS



Safe Launch

BEFORE INSTALLATION





Thank you for your purchase with AccuDock. Our products have been constructed for durability and designed for easy installation. Please take the time to read these instructions carefully before installing your attachment.

Check your package carefully to ensure you have all parts and hardware listed below. Should you be missing any of the hardware please contact us.

PARTS LIST

While unpacking, please be sure to not discard any of the parts. Set them aside on a flat surface and ensure all parts are present prior to installation.

Note: Installation will require a small rope. Rope is provided by AccuDock with order.

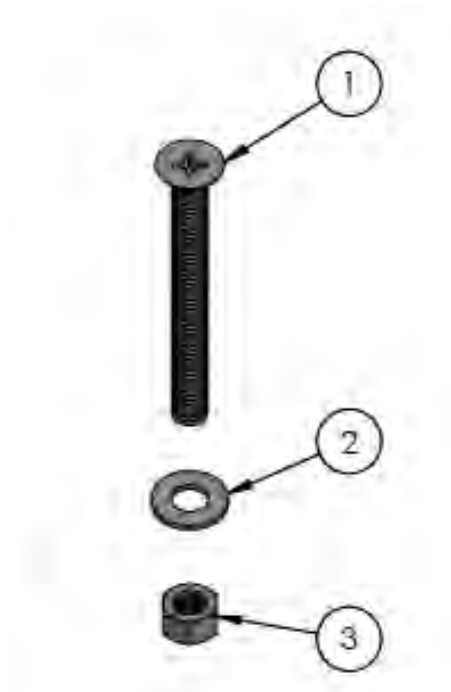
Part	Qty	
Safe Launch (ACC-308SF & ACC-312SF)	1	
3/8" x 6-1/2" Countersunk Bolt	2	
3/8" Washer	2	
3/8" Hex Nut	2	

TOOLS NEEDED

Cordless Drill with 3/8" Drill Bit

9/16" Wrench

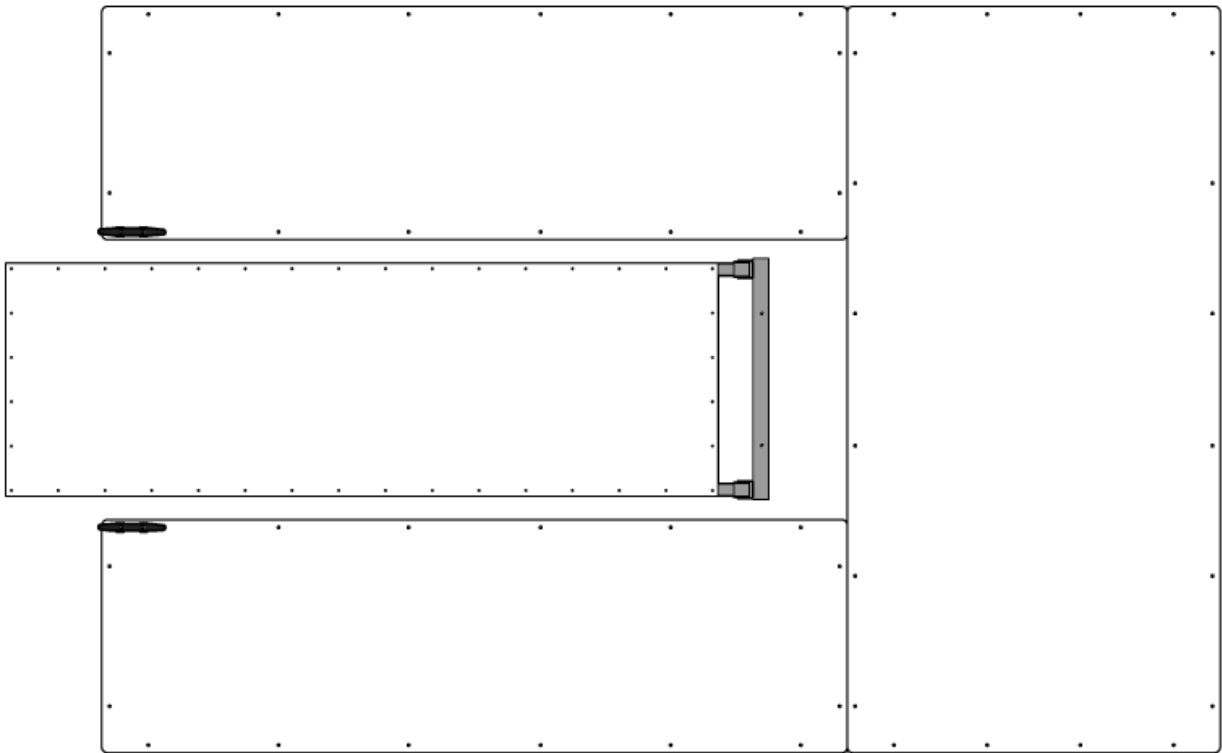
HARDWARE LIST



Label	Description
1	3/8" x 6-1/2" Countersunk Bolt
2	3/8" Washer
3	3/8" Hex Nut

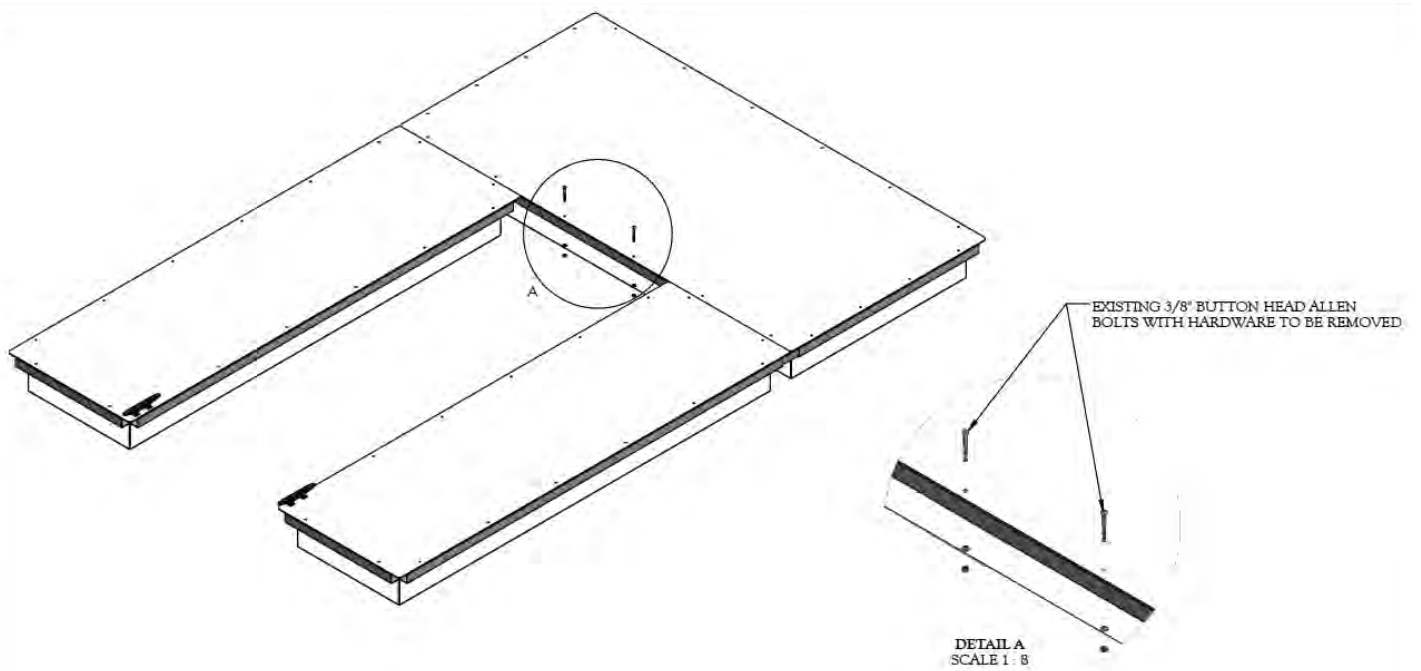
STEP ONE

First, assemble all of the Floating Dock sections and line up the Safe Launch inside the slip of the Floating Dock as shown in the illustration below.



STEP TWO

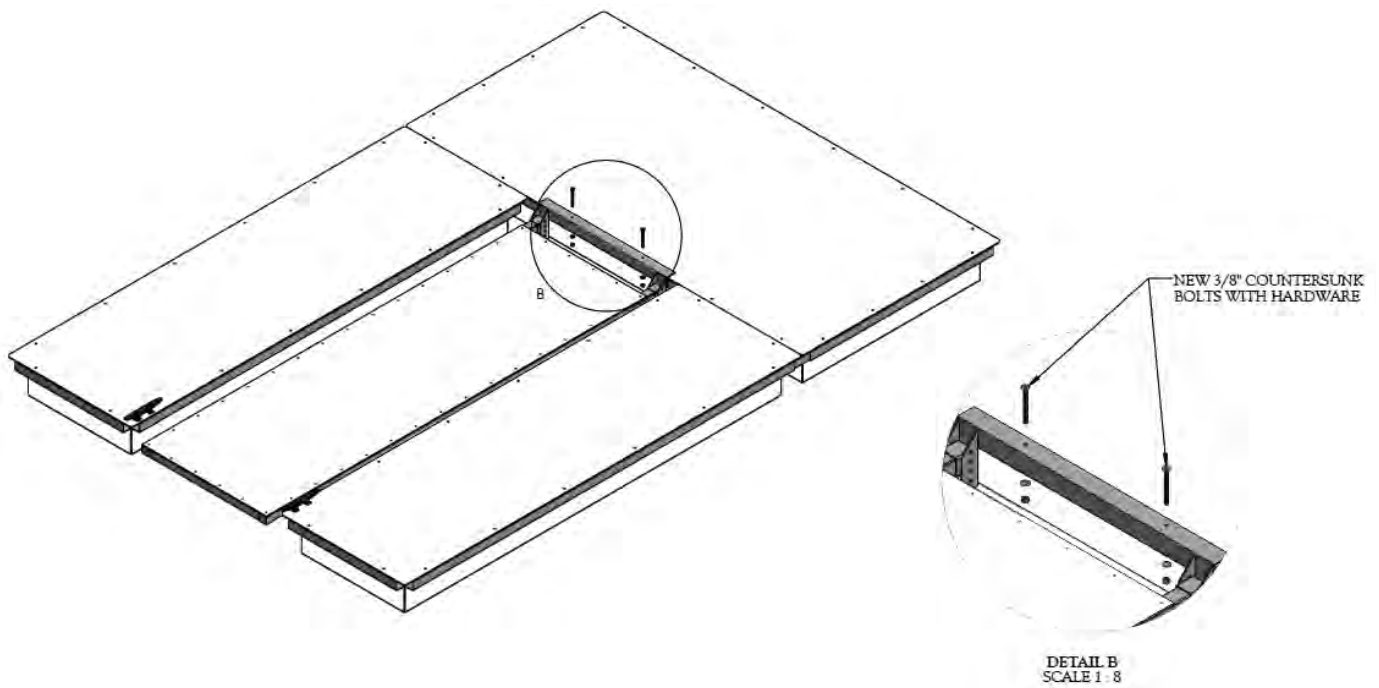
Continue by removing the existing 3/8" hardware located on the Floating Dock where the Safe Launch is set to attach. See Detail A.



STEP THREE

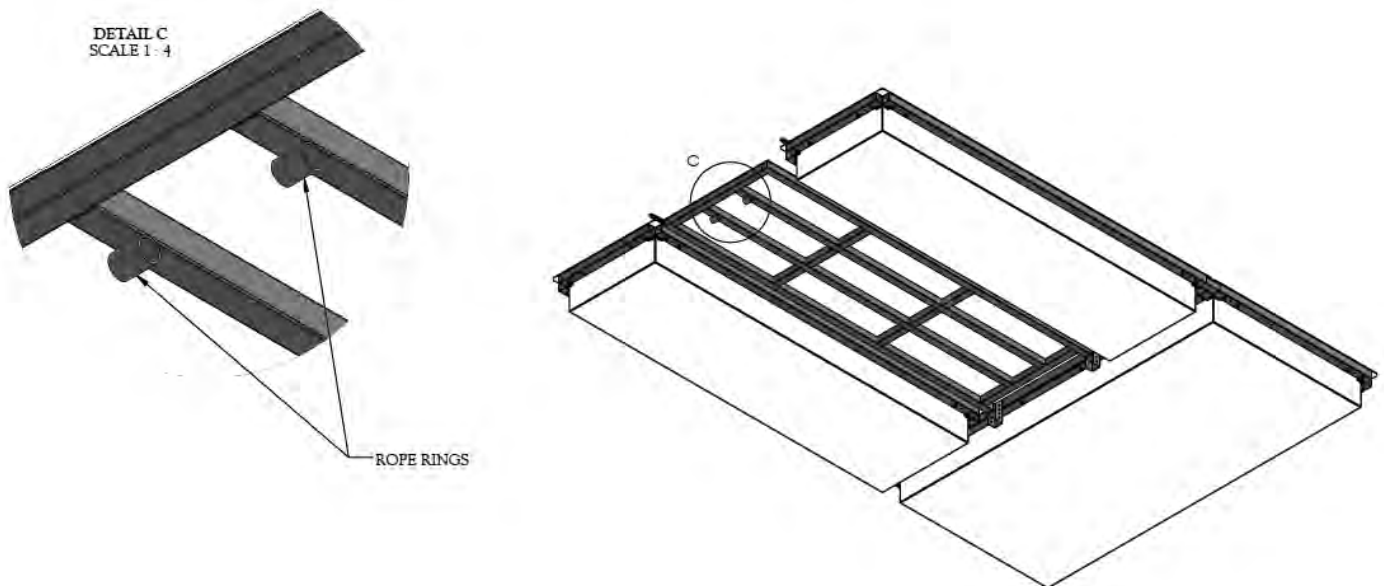
Next, ensure that the Safe Launch is directly in the center of the slip of the floating dock. Press the mounting angle located on the Safe Launch fully against the aluminum frame of the floating dock. Use a drill with a 3/8" drill bit and drill two holes through the mounting angle and the floating dock frame.

Insert the new hardware, 3/8" Countersunk Bolts that were provided by AccuDock into the drilled holes along with Washers and Hex Nuts. Make sure to tighten the hardware in order to secure the Safe Launch to the Floating Dock. See Detail B.



STEP FOUR

Lastly, take the rope that was included with your order and loop it through the rings located at the bottom of the Safe Launch. Tie each end of the rope to the cleats in order to secure the Safe Launch in place and at the desired height. See Detail C.



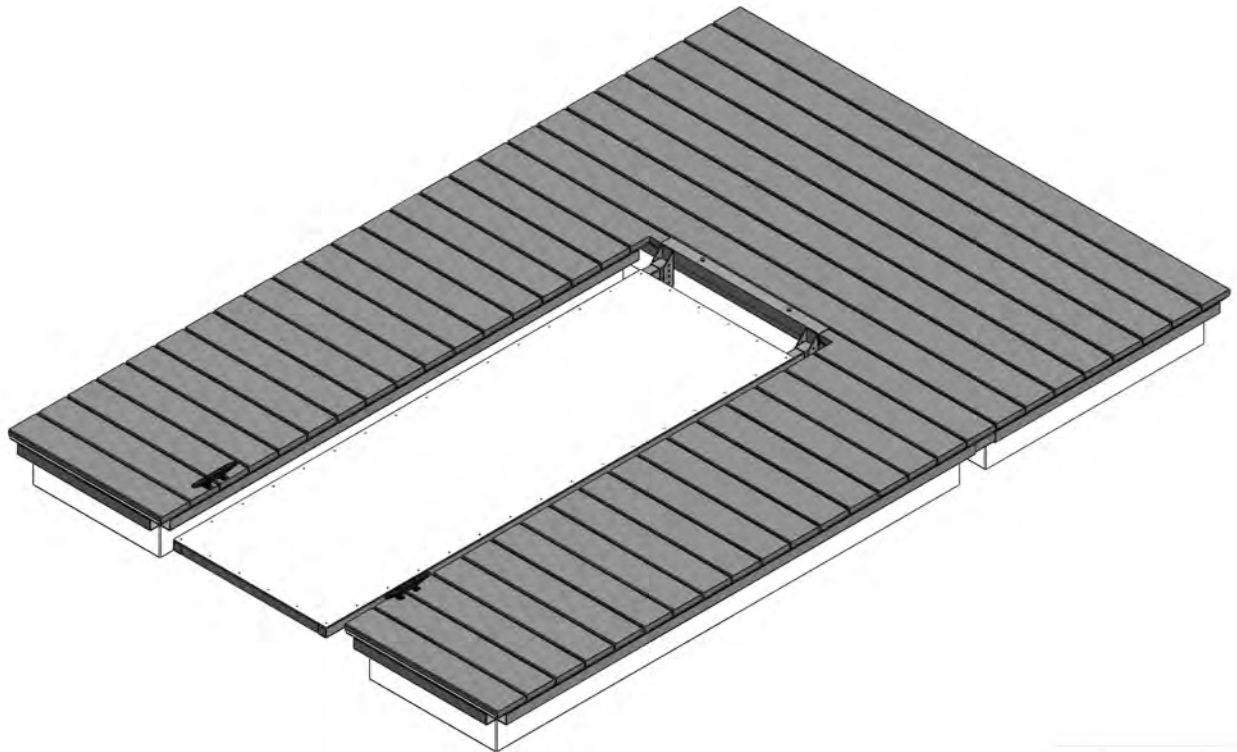
FOR QUESTIONS CALL 954.785.7557 OR
EMAIL INFO@ACCUDOCK.COM



FOR MORE INFORMATION CALL 954.785.7557 OR
EMAIL SALES@ACCUDOCK.COM
WWW.ACCUDOCK.COM



INSTALLATION INSTRUCTIONS



Safe Launch to Decked Dock

BEFORE INSTALLATION





Thank you for your purchase with AccuDock. Our products have been constructed for durability and designed for easy installation. Please take the time to read these instructions carefully before installing your attachment.

Check your package carefully to ensure you have all parts and hardware listed below. Should you be missing any of the hardware please contact us.

PARTS LIST

While unpacking, please be sure to not discard any of the parts. Set them aside on a flat surface and ensure all parts are present prior to installation.

Note: Installation will require a small rope. Rope is provided by AccuDock with order.

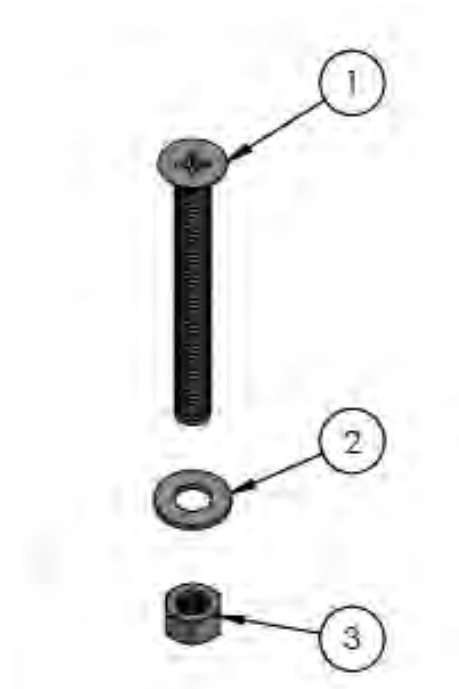
Part	Qty	
Safe Launch (ACC-308SF & ACC-312SF)	1	
3/8" x 5-1/2" Countersunk Bolt	2	
3/8" Washer	2	
3/8" Hex Nut	2	

TOOLS NEEDED

Cordless Drill with 3/8" Drill Bit

9/16" Wrench

HARDWARE LIST



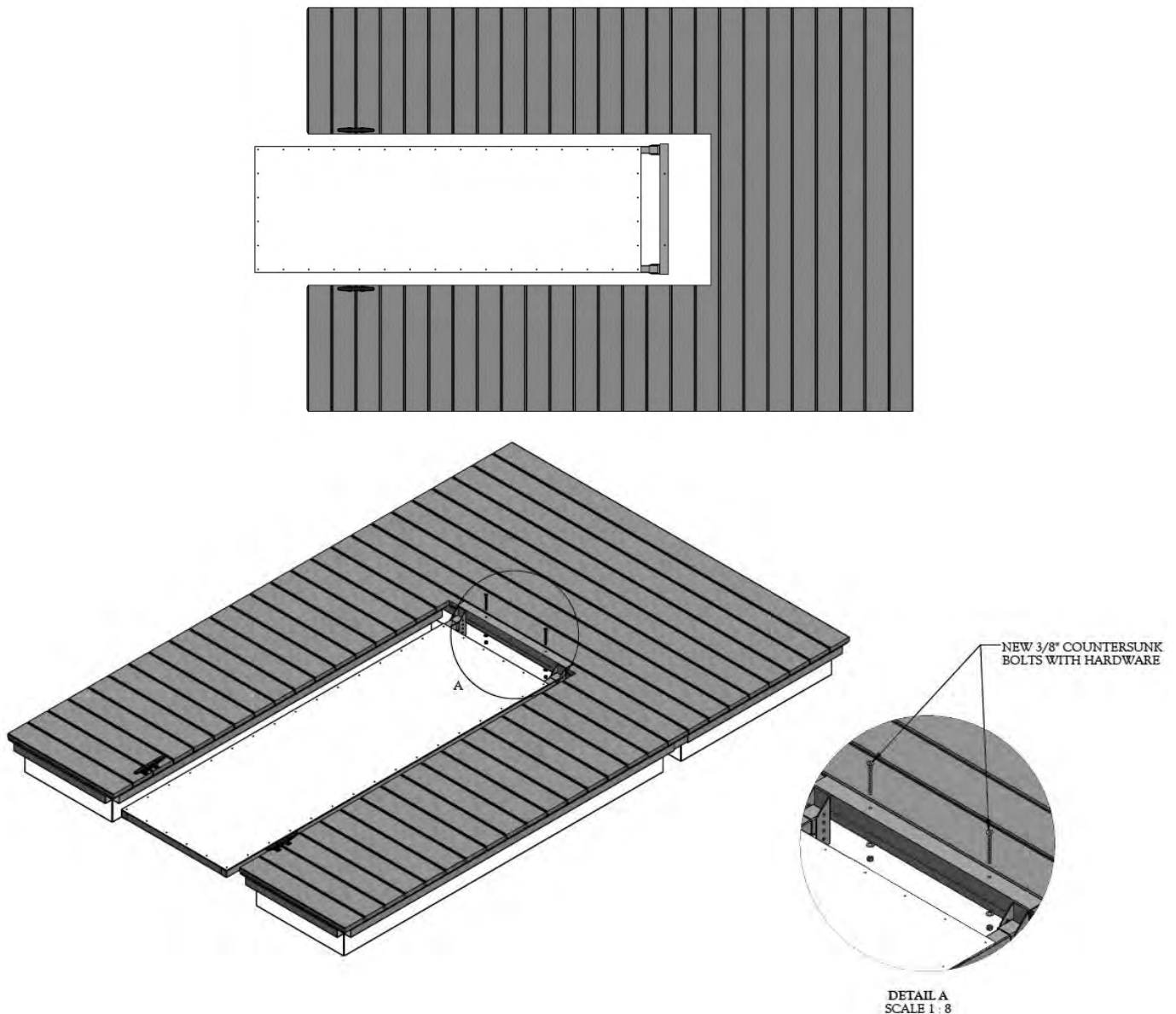
Label	Description
1	3/8" x 5-1/2" Countersunk Bolt
2	3/8" Washer
3	3/8" Hex Nut

FOR QUESTIONS CALL 954.785.7557 OR
EMAIL INFO@ACCUDOCK.COM

STEP ONE

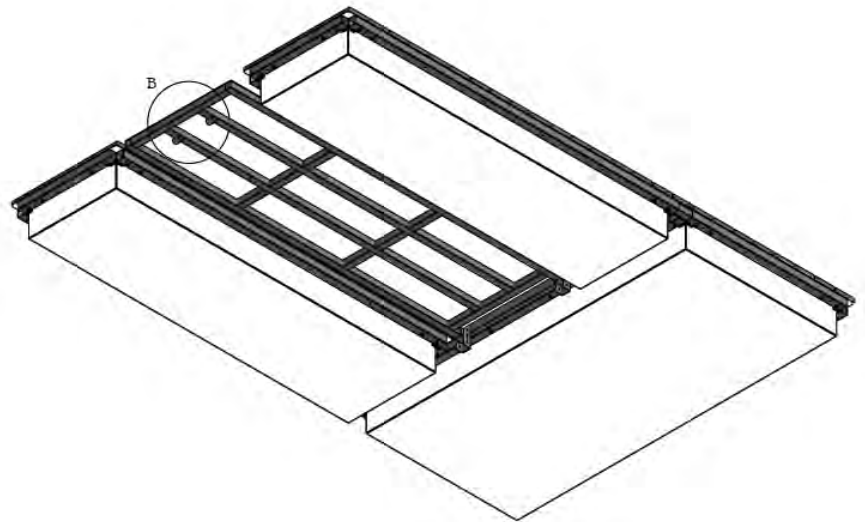
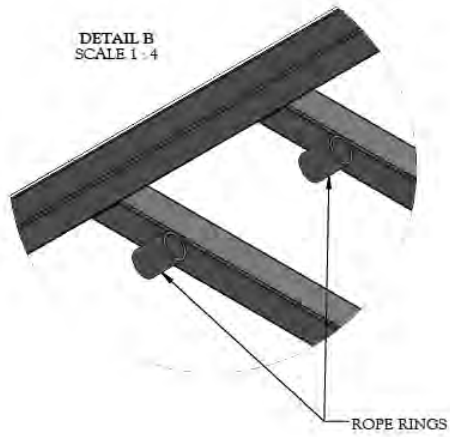
First, assemble all of the Floating Dock sections and line up the Safe Launch inside the slip as shown in the illustration below. Ensure that the Safe Launch is directly in the center of the slip of the Floating Dock. Press the mounting angle located on the Safe Launch fully against the aluminum frame of the Floating Dock.

Next, use a drill with a 3/8" drill bit and drill two holes through the mounting angle, PVC decking, and the floating dock frame. Insert the 3/8" Countersunk Bolts that were provided by AccuDock into the drilled holes along with Washers and Hex Nuts. Make sure to tighten the hardware in order to secure the Safe Launch to the Floating Dock. See Detail A.



STEP TWO

Lastly, take the rope that was included with your order and loop it through the rings located at the bottom of the Safe Launch. Tie each end of the rope to the cleats in order to secure the Safe Launch in place and at the desired height. See Detail B.

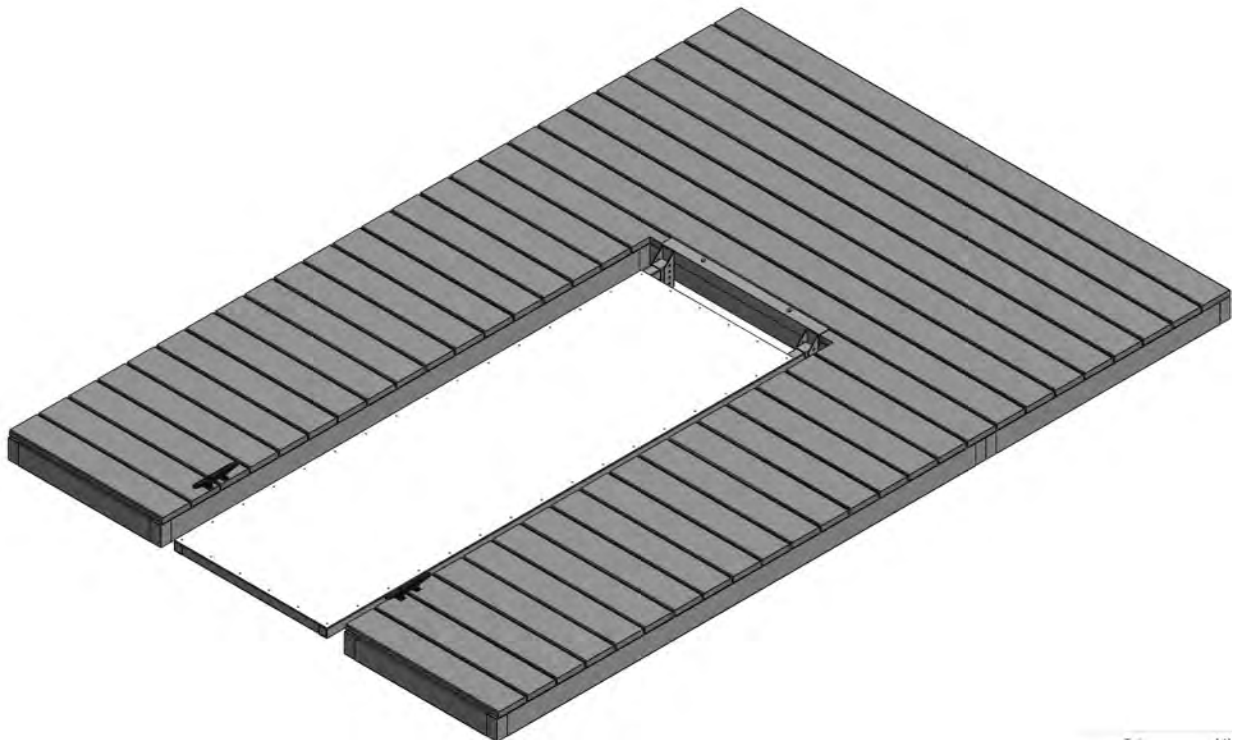




FOR MORE INFORMATION CALL 954.785.7557 OR
EMAIL SALES@ACCUDOCK.COM
WWW.ACCUDOCK.COM



INSTALLATION INSTRUCTIONS



Safe Launch to Aluminum Floating Dock

BEFORE INSTALLATION





Thank you for your purchase with AccuDock. Our products have been constructed for durability and designed for easy installation. Please take the time to read these instructions carefully before installing your attachment.

Check your package carefully to ensure you have all parts and hardware listed below. Should you be missing any of the hardware please contact us.

PARTS LIST

While unpacking, please be sure to not discard any of the parts. Set them aside on a flat surface and ensure all parts are present prior to installation.

Note: Installation will require a small rope. Rope is provided by AccuDock with order.

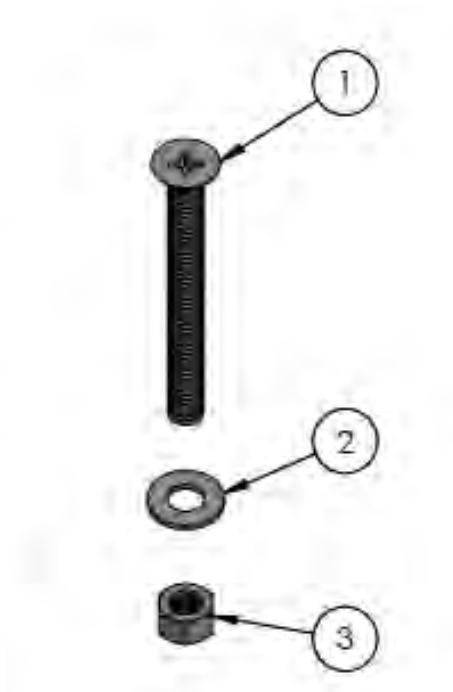
Part	Qty	
Safe Launch (ACC-308SF & ACC-312SF)	1	
3/8" x 3-1/4 Countersunk Bolt	2	
3/8" Washer	2	
3/8" Hex Nut	2	

TOOLS NEEDED

Cordless Drill with 3/8" Drill Bit

9/16" Wrench

HARDWARE LIST

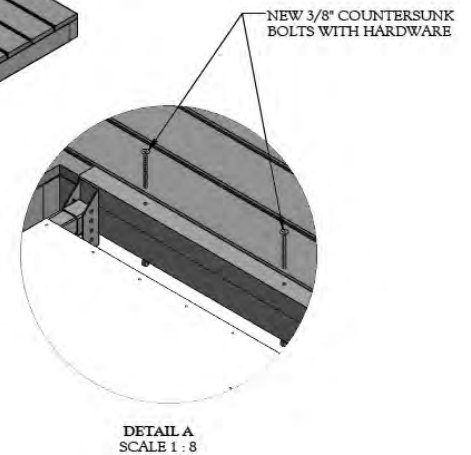
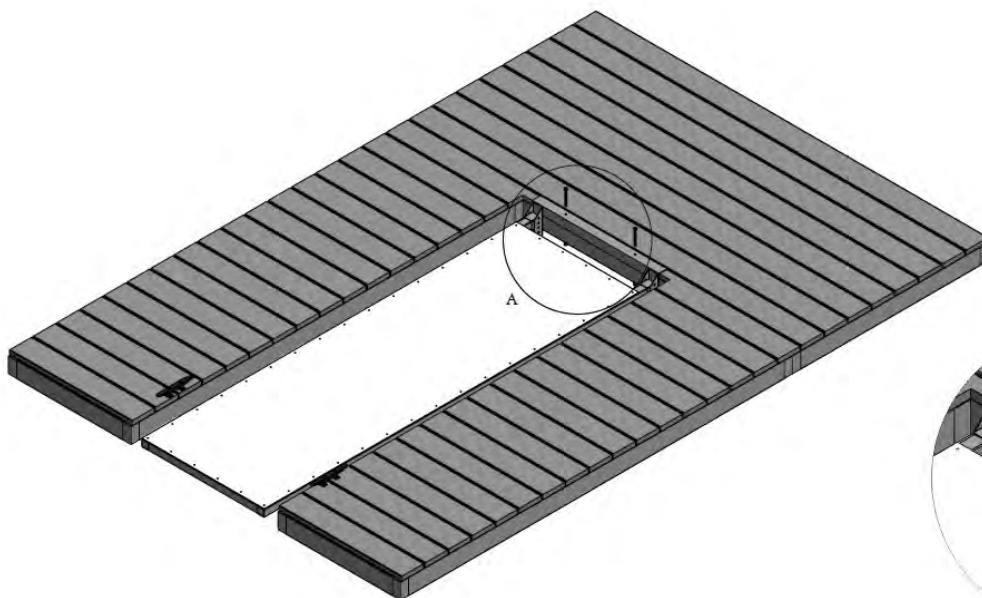
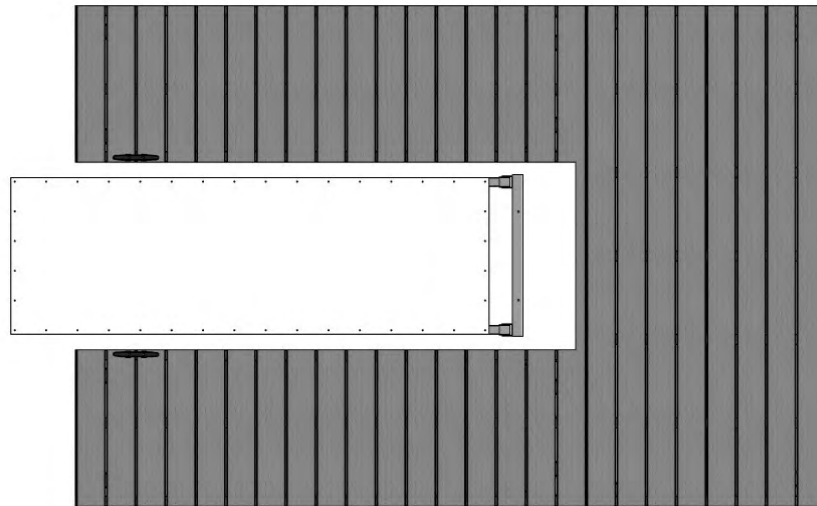


Label	Description
1	3/8" x 3-1/4 Countersunk Bolt
2	3/8" Washer
3	3/8" Hex Nut

STEP ONE

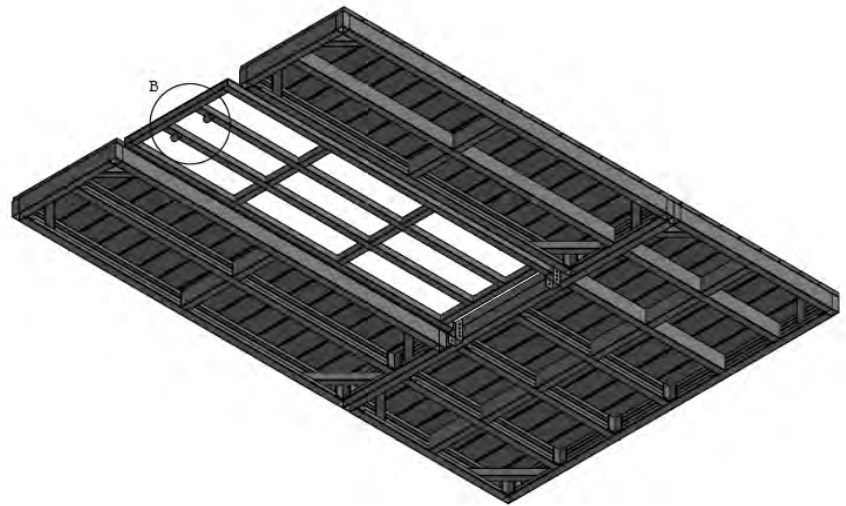
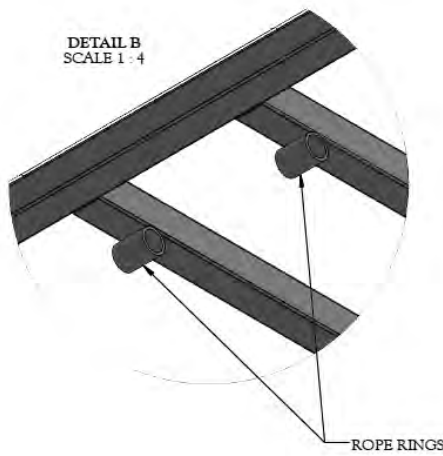
First, assemble the Aluminum Floating Dock sections and line up the Safe Launch inside the slip as shown in the illustration below. Ensure that the Safe Launch is directly in the center of the slip of the Aluminum Floating Dock. Press the mounting angle located on the Safe Launch fully against the aluminum frame of the Floating Dock.

Next, use a drill with a 3/8" drill bit and drill two holes through the mounting angle, PVC decking, and the aluminum frame. Insert the 3/8" Countersunk Bolts that were provided by AccuDock into the drilled holes along with Washers and Hex Nuts. Make sure to tighten the hardware in order to secure the Safe Launch to the Aluminum Floating Dock. See Detail A.



STEP TWO

Lastly, take the rope that was included with your order and loop it through the rings located at the bottom of the Safe Launch. Tie each end of the rope to the cleats in order to secure the Safe Launch in place and at the desired height. See Detail B.





FOR MORE INFORMATION CALL 954.785.7557 OR
EMAIL SALES@ACCUDOCK.COM
WWW.ACCUDOCK.COM