



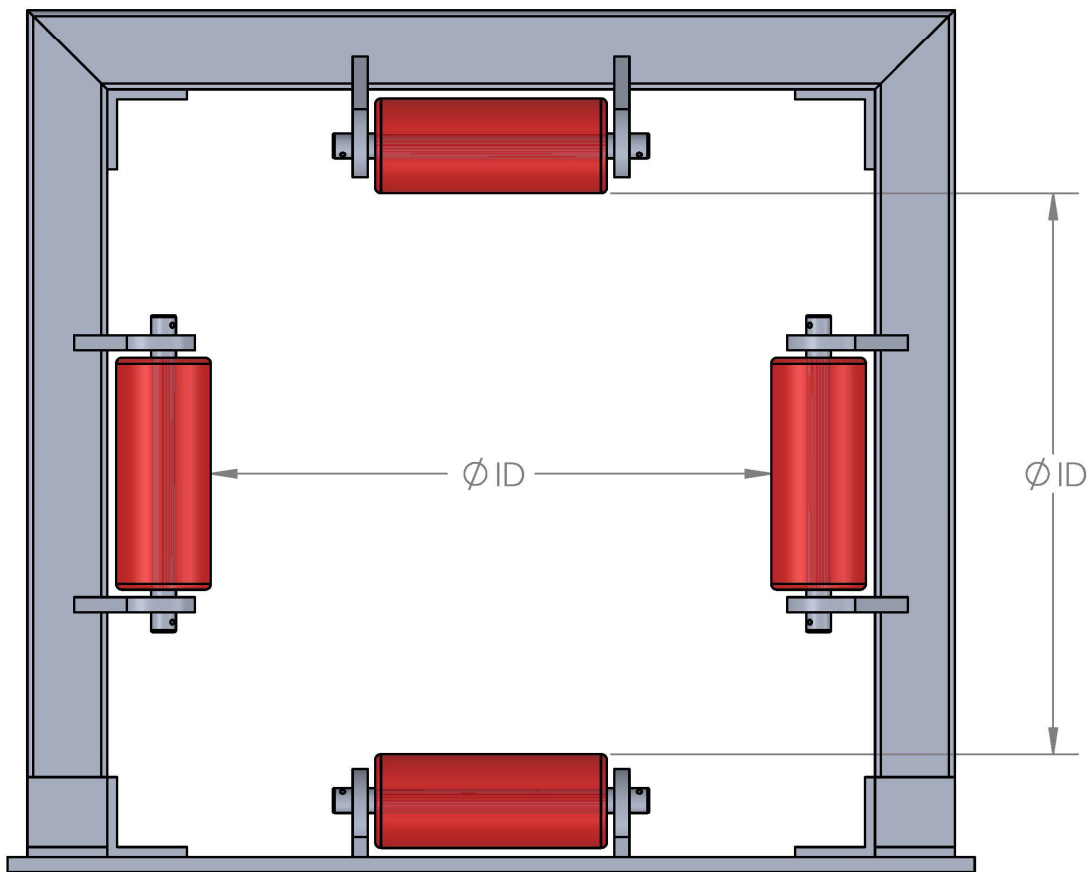
ATTACHMENT METHOD

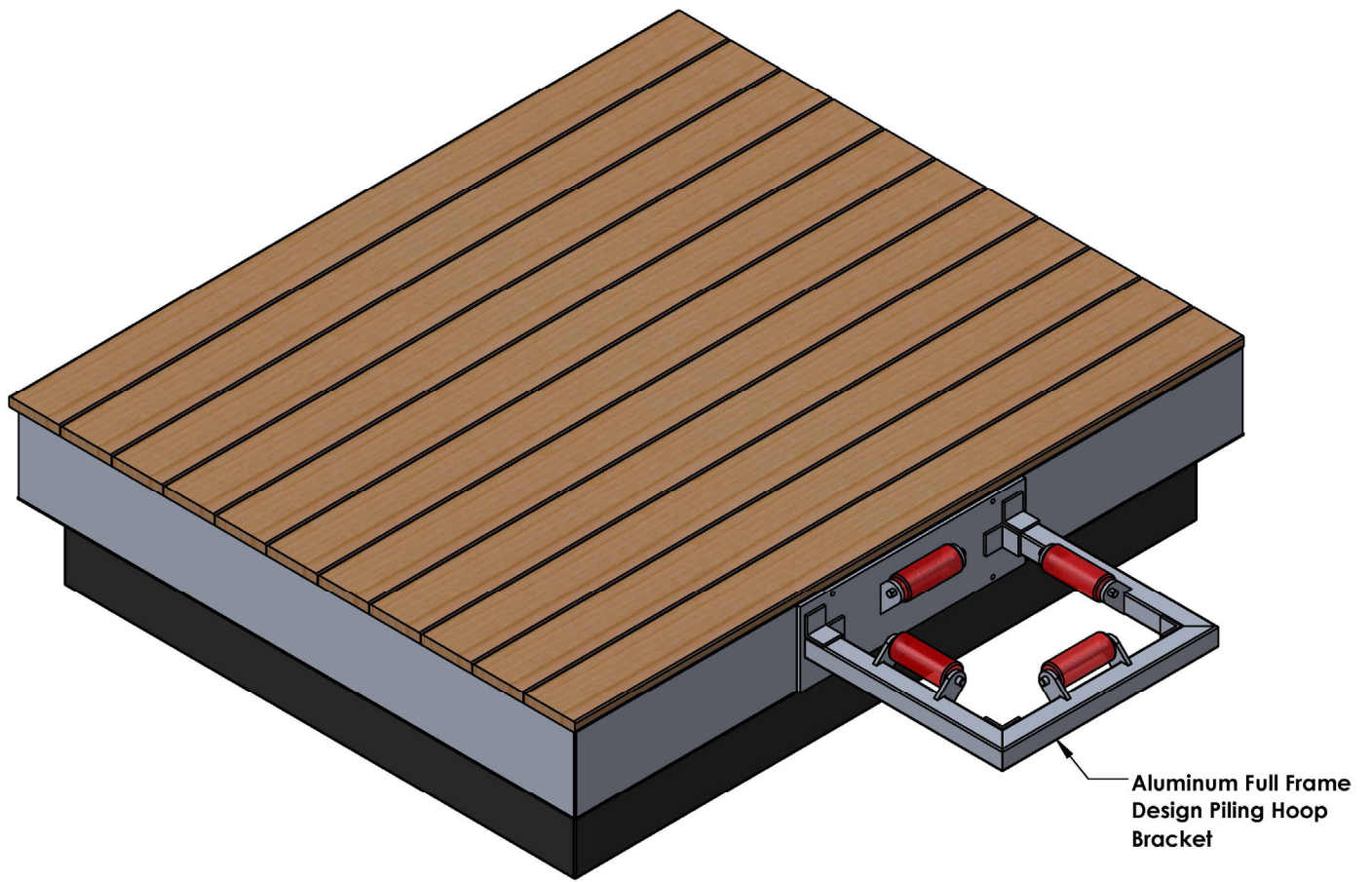


ALUMINUM FULL FRAME DESIGN PILING HOOP BRACKET

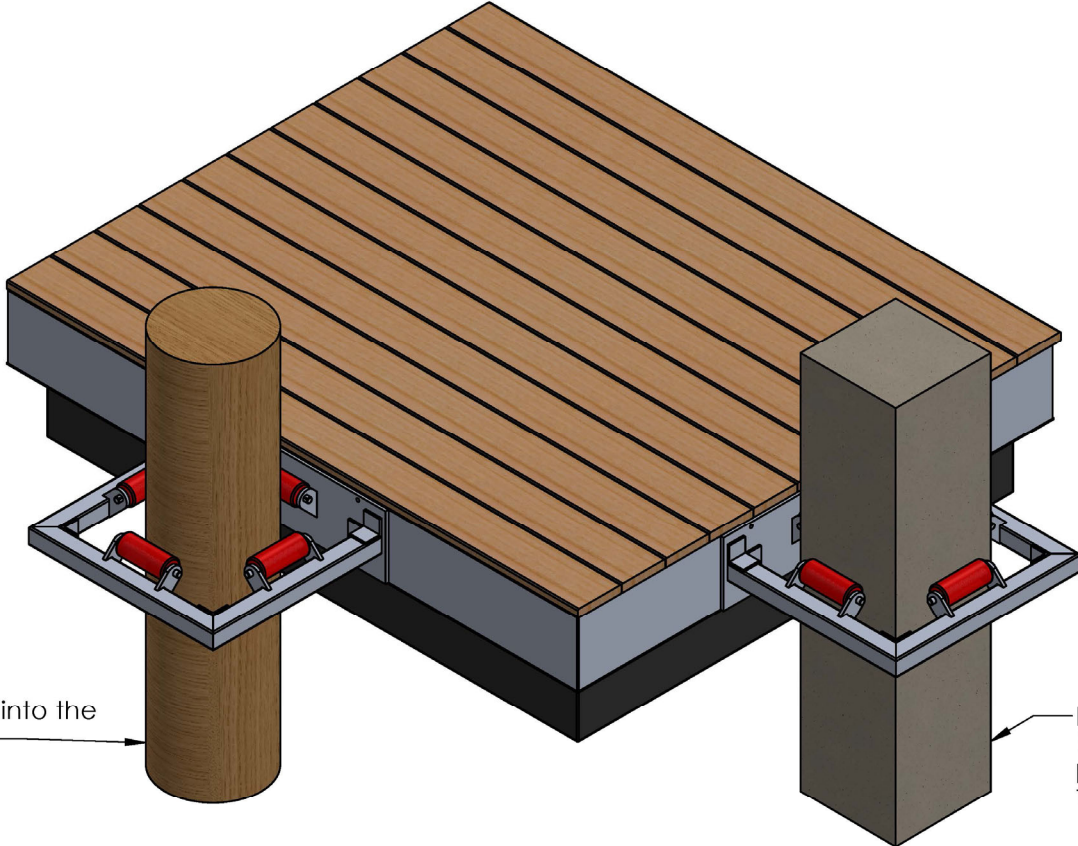
The Standard Aluminum Full Frame Design Piling Hoop Bracket has an ID that is 2" larger than the piling diameter or width. For example a 12" diameter piling or a 12" x 12" square piling will get a hoop bracket with a 14" ID. This allows for a 1" gap all around the piling to prevent binding.

Plan View



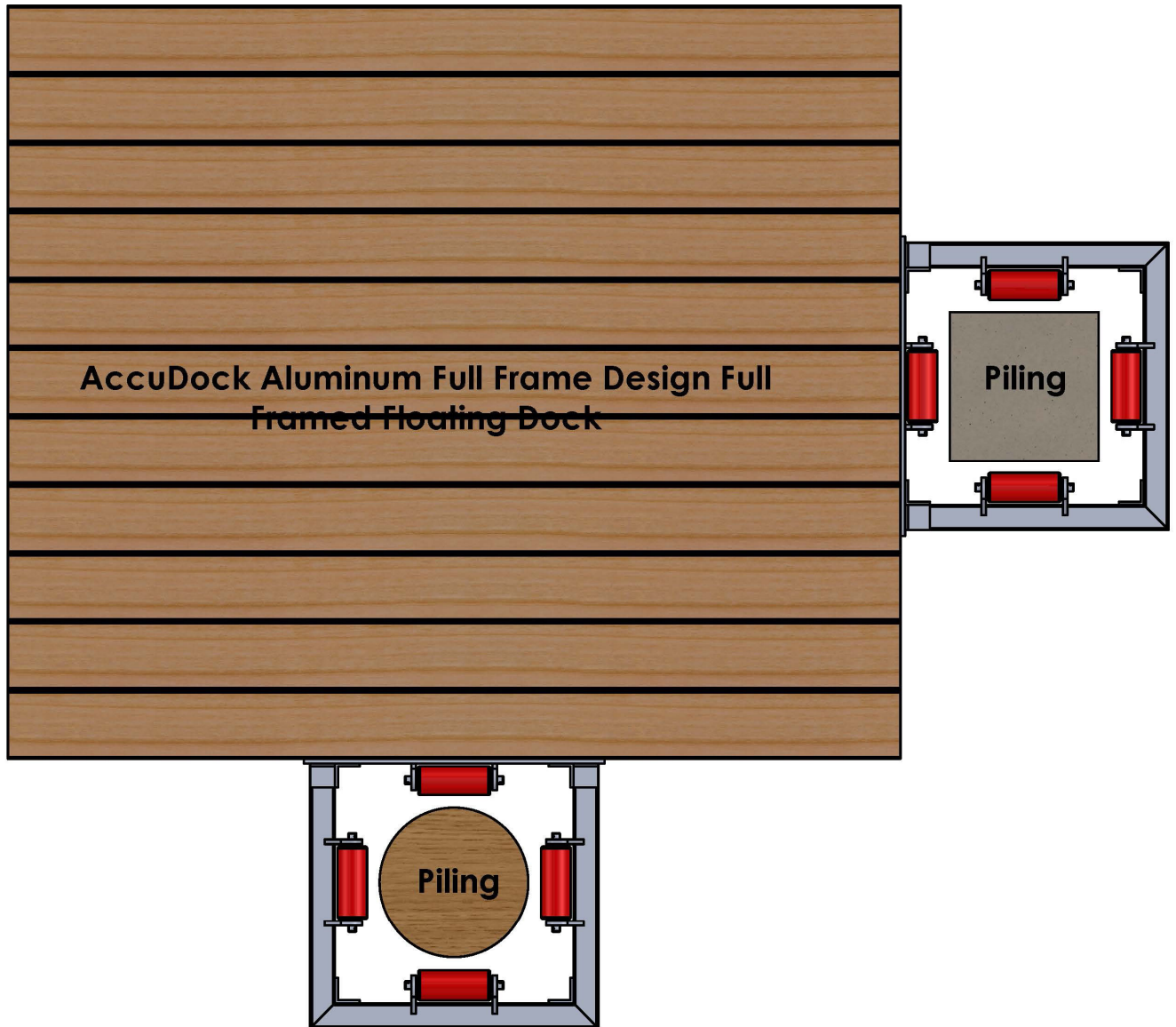


FOR QUESTIONS CALL 954.785.7557 OR
EMAIL INFO@ACCUDOCK.COM



Piling
Bottom is
pounded into the
seafloor

Piling
Bottom is
pounded into the
seafloor



FOR QUESTIONS CALL 954.785.7557 OR
EMAIL INFO@ACCUDOCK.COM



FOR MORE INFORMATION CALL 954.785.7557 OR
EMAIL SALES@ACCUDOCK.COM
WWW.ACCUDOCK.COM