



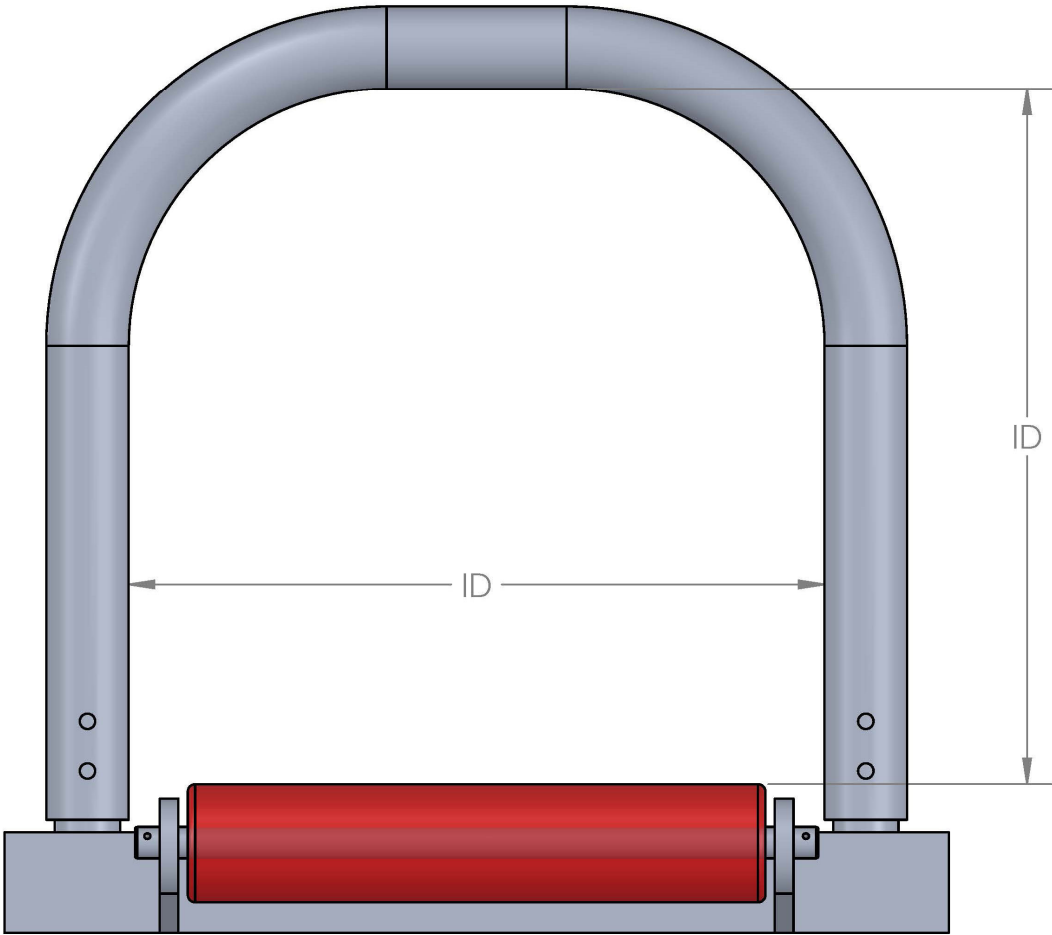
ATTACHMENT METHOD

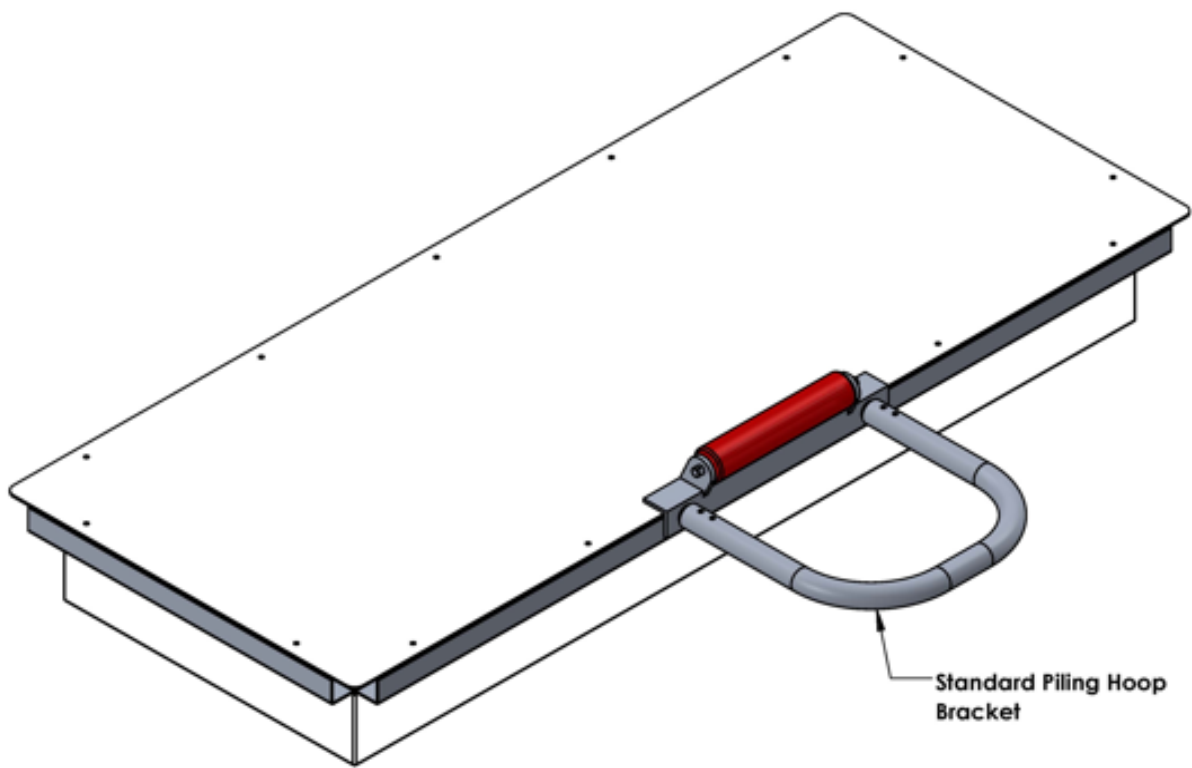


PILING HOOP BRACKET

The Standard Piling Hoop Bracket has an ID that is 2" larger than the piling diameter. For example a 12" diameter piling will get a hoop bracket with a 14" ID. This allows for a 1" gap all around the piling to prevent binding.

Plan View

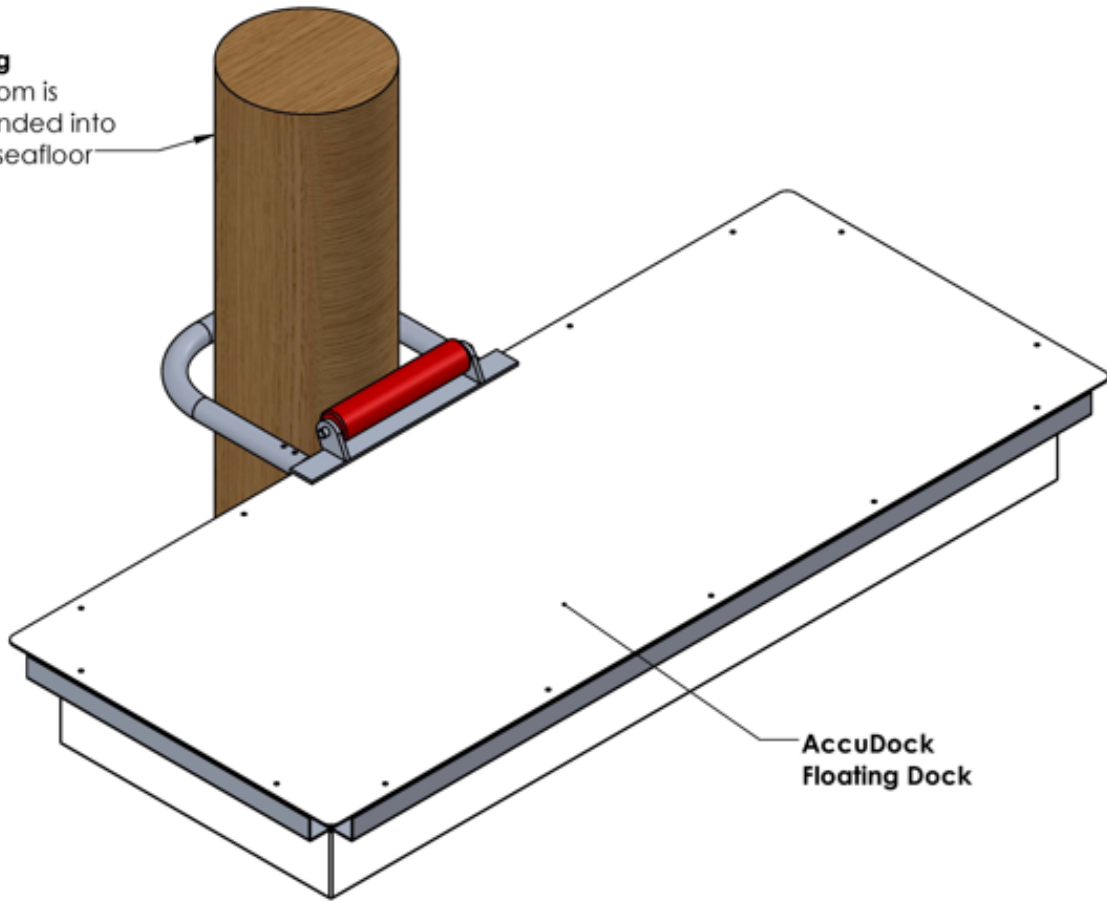




FOR QUESTIONS CALL 954.785.7557 OR
EMAIL INFO@ACCUDOCK.COM

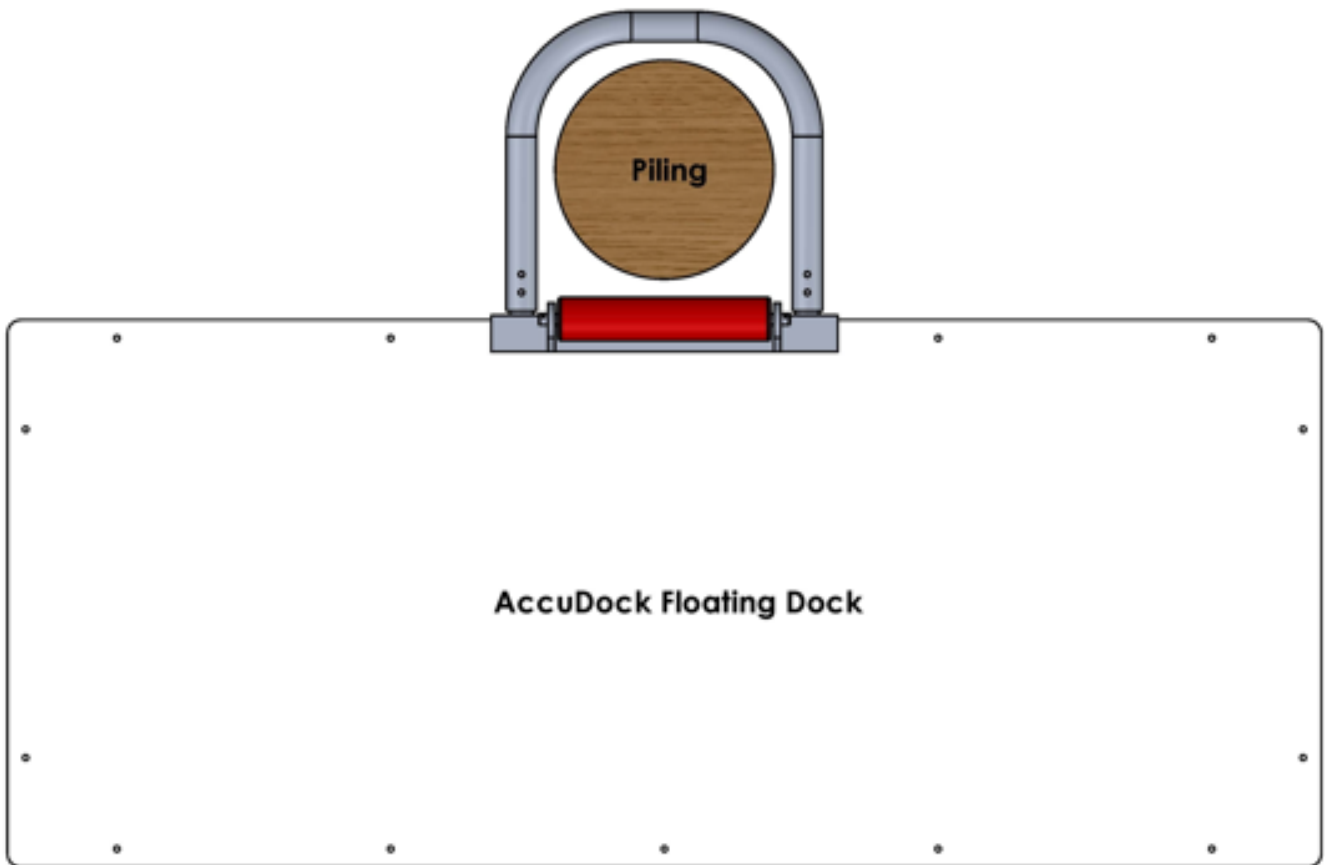
Piling

Bottom is
pounded into
the seafloor



AccuDock
Floating Dock

Plan View



AccuDock Floating Dock

FOR QUESTIONS CALL 954.785.7557 OR
EMAIL INFO@ACCUDOCK.COM



FOR MORE INFORMATION CALL 954.785.7557 OR
EMAIL SALES@ACCUDOCK.COM
WWW.ACCUDOCK.COM