



ATTACHMENT METHOD

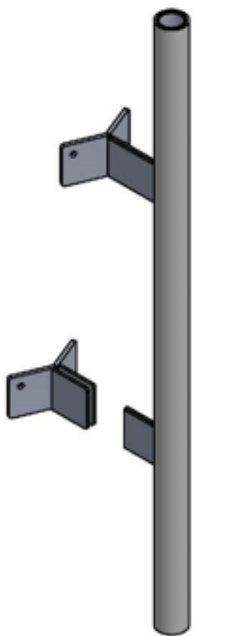


PILING SLIDE ASSEMBLY

The Piling Slide Assembly is a form of attachment method which allows a Floating Dock to move independently to the existing pilings. There are three components to a Piling Slide Assembly, an inner tube, an outer tube, and a cover that slides over those tubes for aesthetic and protection.

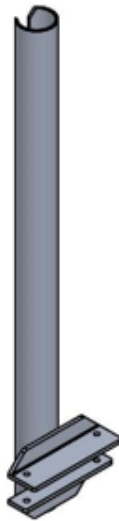
Piling Slide Assembly Components

Label 1
Inner Tube



Gets fixed to existing piling

Label 2
Outer Tube

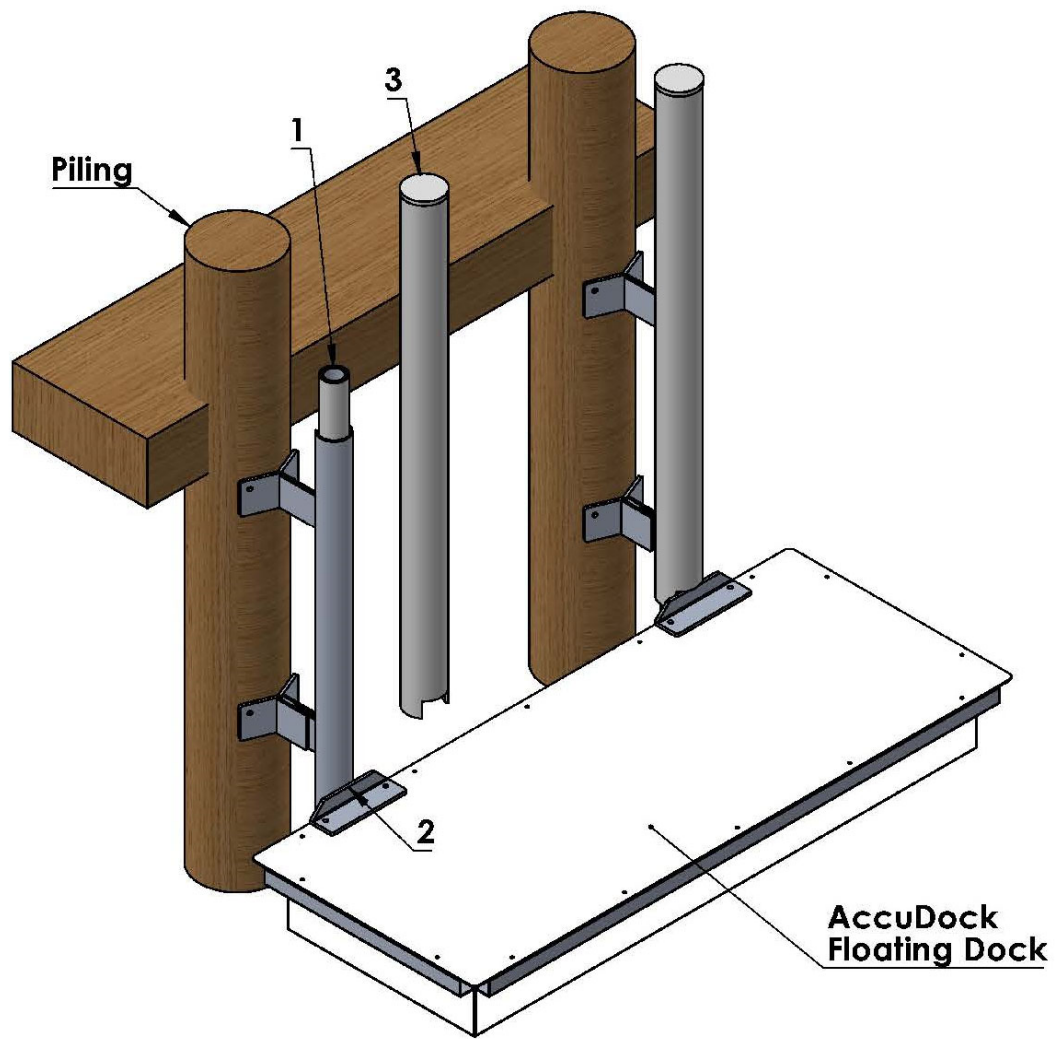


Gets fixed to AccuDock float, allowing it to move independently to the existing pilings

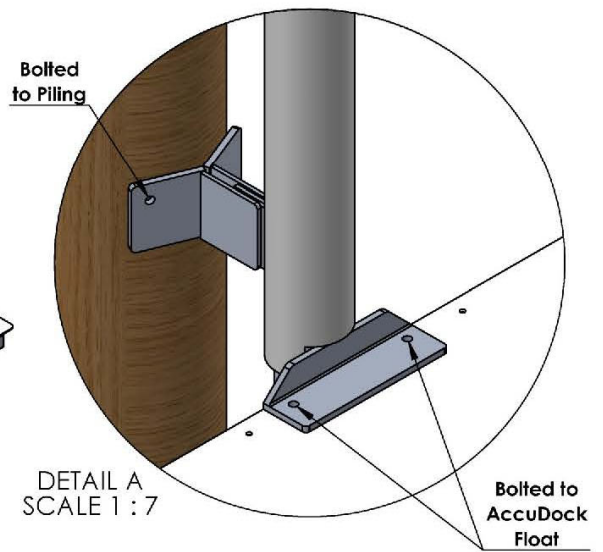
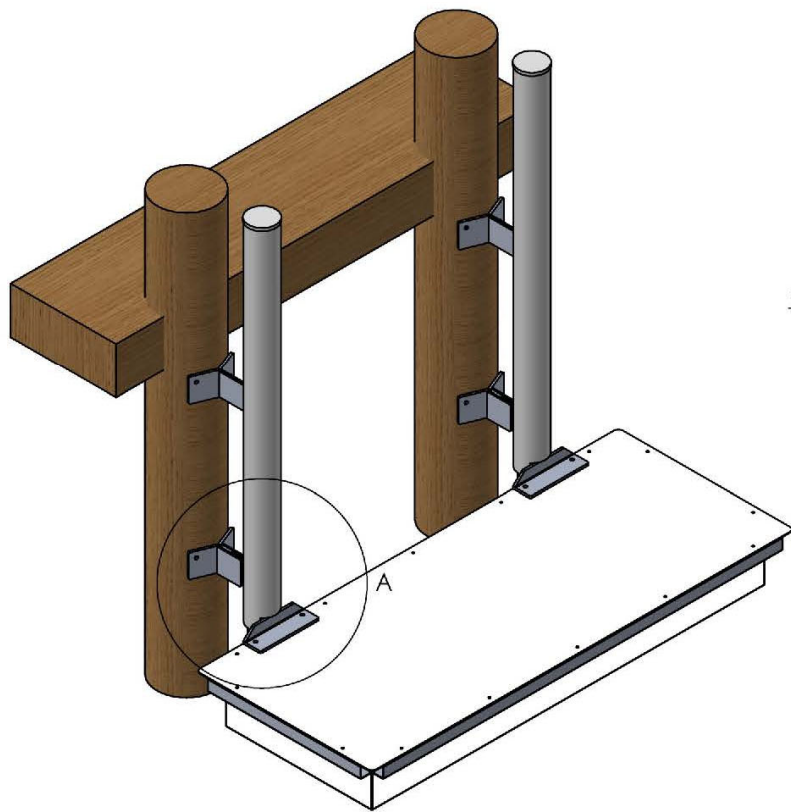
Label 3
Cosmetic Cover



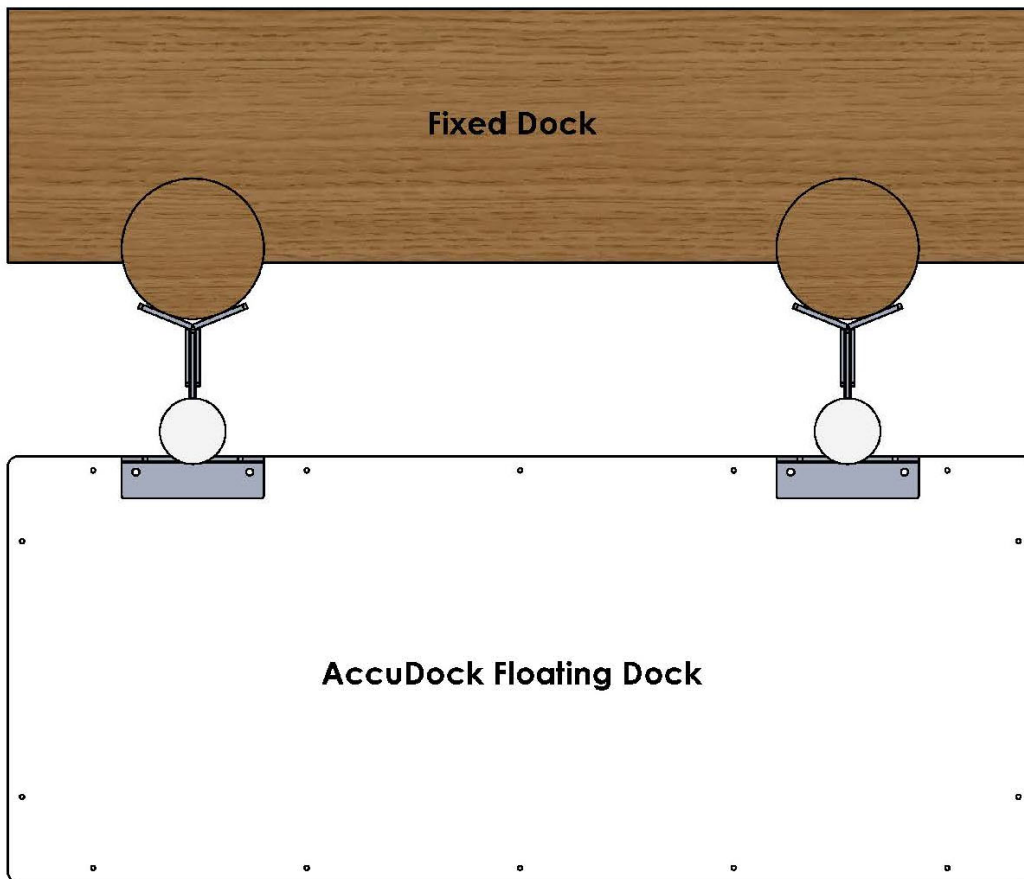
Slides over the inner & outer tubes as an aesthetic and protective cover



FOR QUESTIONS CALL 954.785.7557 OR
EMAIL INFO@ACCUDOCK.COM



Plan View



FOR QUESTIONS CALL 954.785.7557 OR
EMAIL INFO@ACCUDOCK.COM



FOR MORE INFORMATION CALL 954.785.7557 OR
EMAIL SALES@ACCUDOCK.COM
WWW.ACCUDOCK.COM