



## ATTACHMENT METHOD

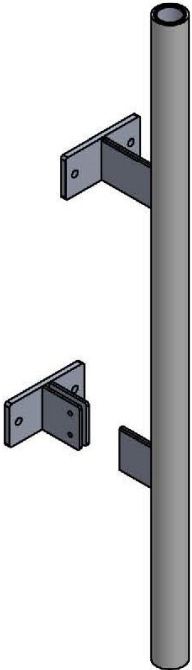


## SEAWALL SLIDE ASSEMBLY

The Seawall Slide Assembly is a form of attachment method which allows a Floating Dock to move independently to the existing seawall. There are three components to a Seawall Slide Assembly, an inner tube, an outer tube, and a cover that slides over those tubes for aesthetic and protection.

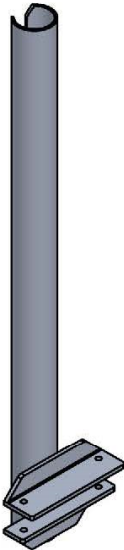
**Seawall Slide Assembly Components**

**Label 1**  
Inner Tube



Gets fixed to existing seawall

**Label 2**  
Outer Tube

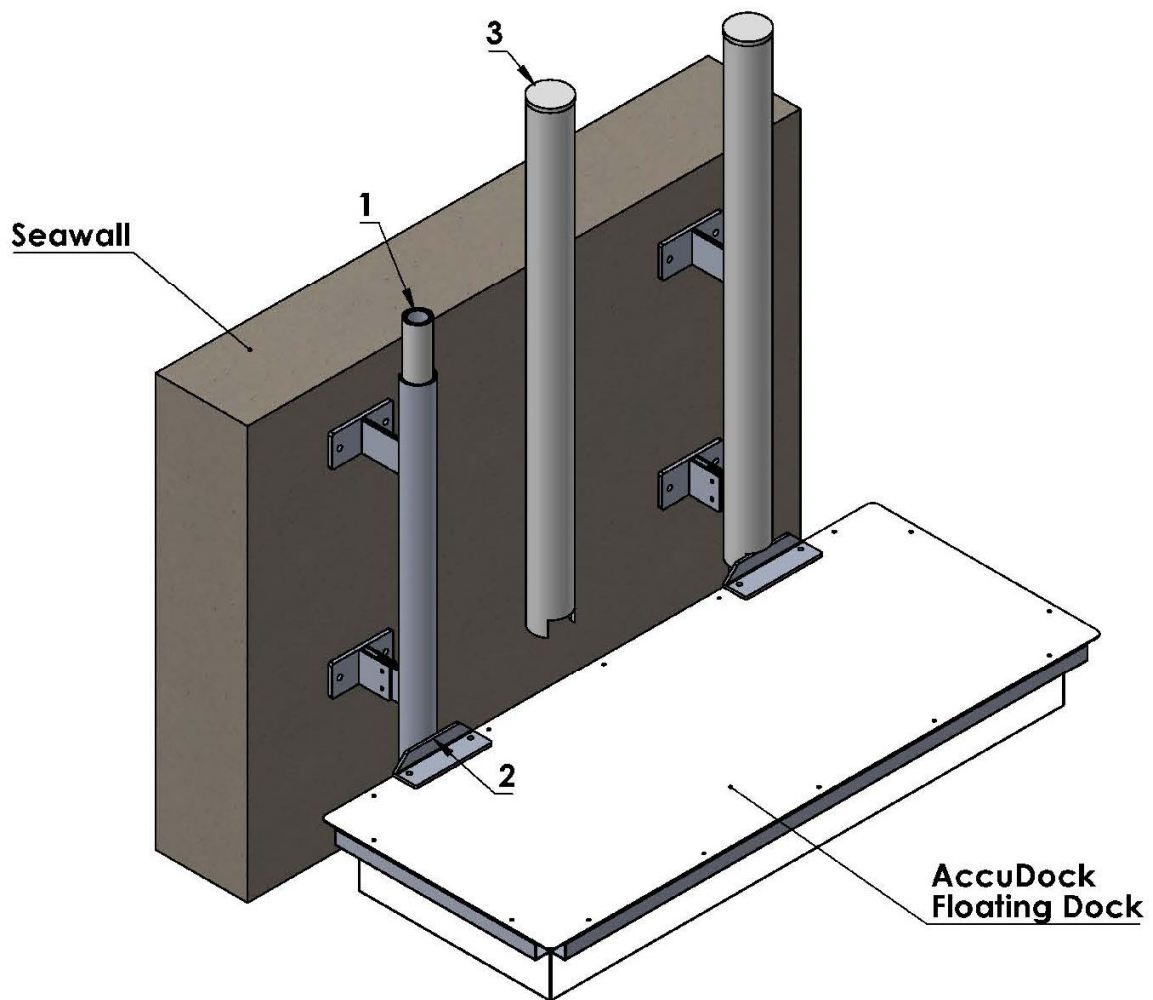


Gets fixed to AccuDock float, allowing it to move independently to the existing seawall

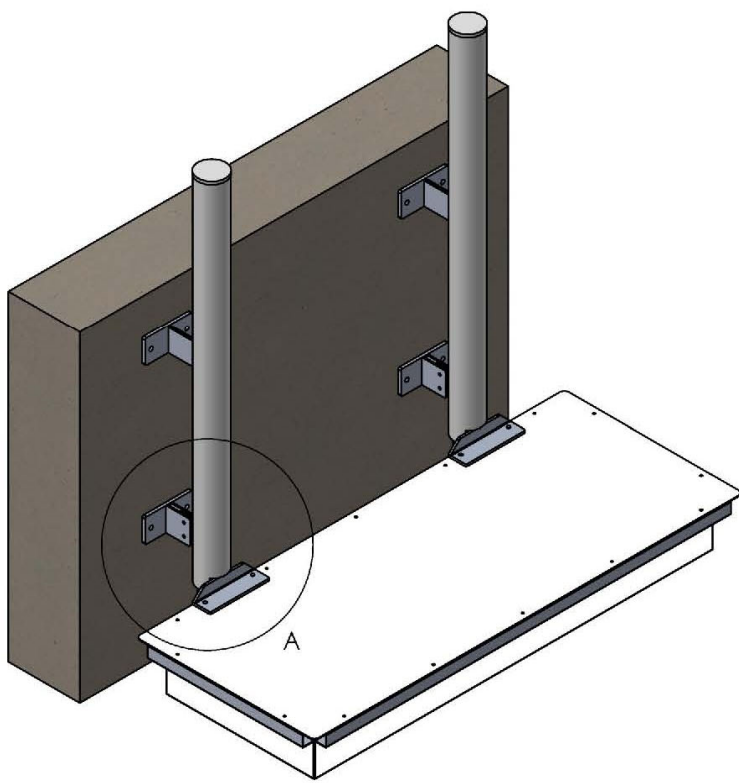
**Label 3**  
Cosmetic Cover



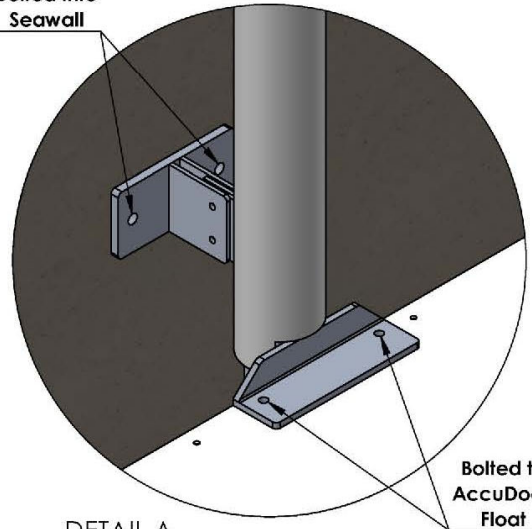
Slides over the inner & outer tubes as an aesthetic and protective cover



FOR QUESTIONS CALL 954.785.7557 OR  
EMAIL [INFO@ACCUDOCK.COM](mailto:INFO@ACCUDOCK.COM)



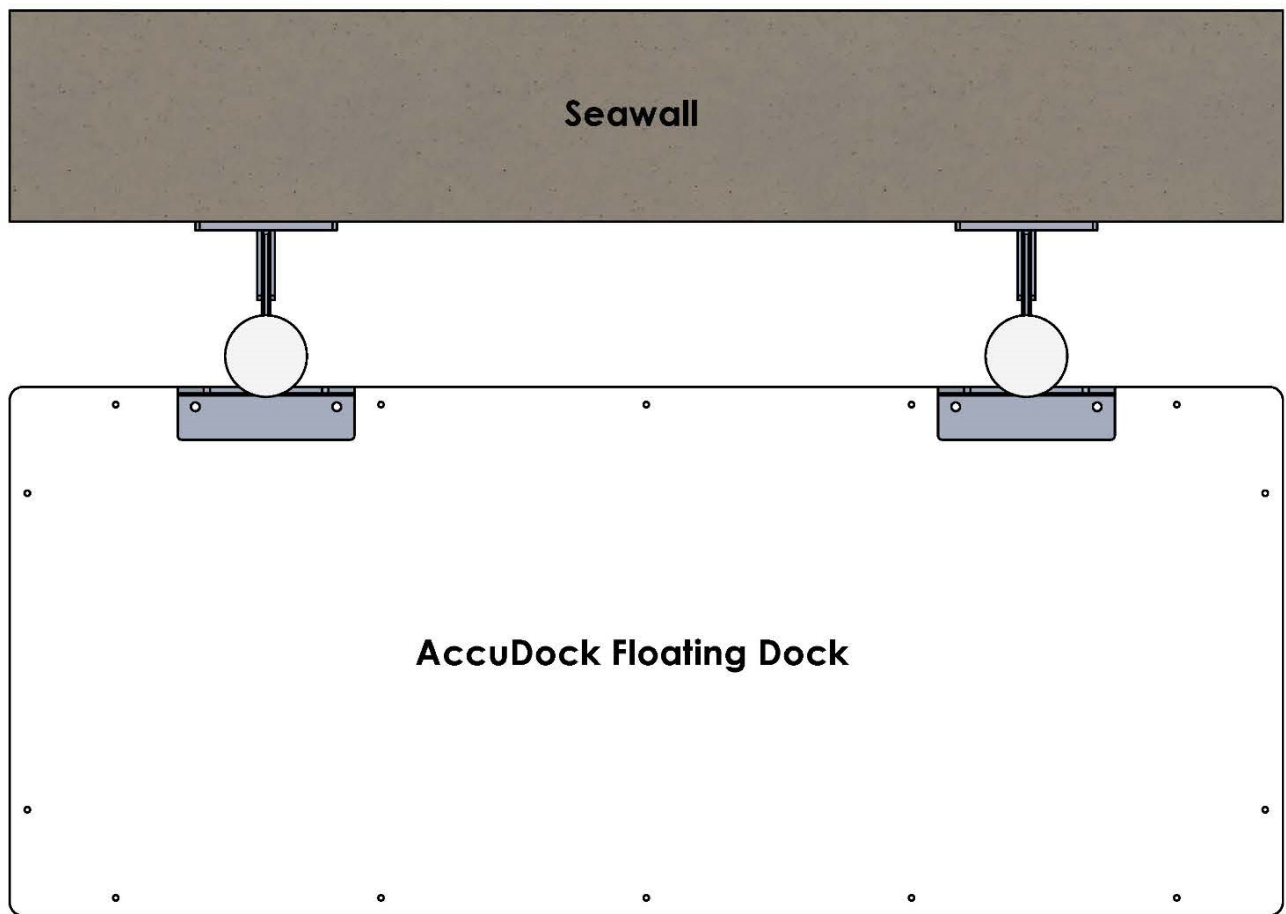
Bolted into  
Seawall



Bolted to  
AccuDock  
Float

DETAIL A

**Plan View**



FOR QUESTIONS CALL 954.785.7557 OR  
EMAIL [INFO@ACCUDOCK.COM](mailto:INFO@ACCUDOCK.COM)



FOR MORE INFORMATION CALL 954.785.7557 OR  
EMAIL [SALES@ACCUDOCK.COM](mailto:SALES@ACCUDOCK.COM)  
[WWW.ACCUDOCK.COM](http://WWW.ACCUDOCK.COM)