



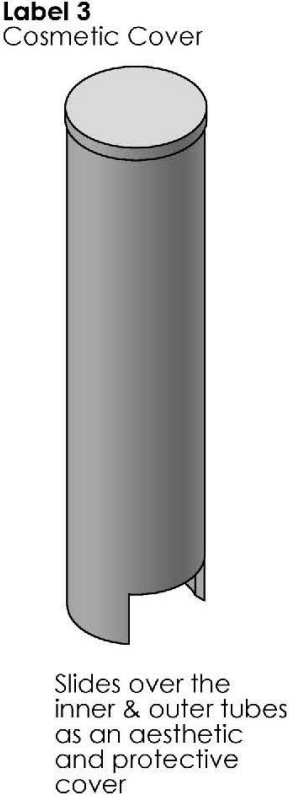
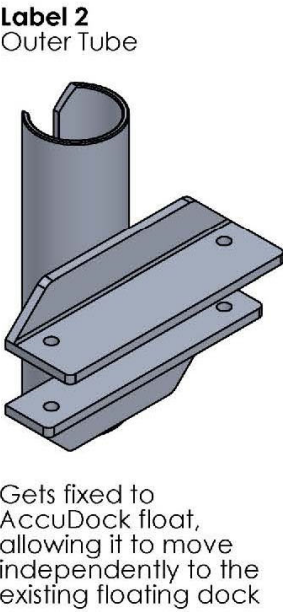
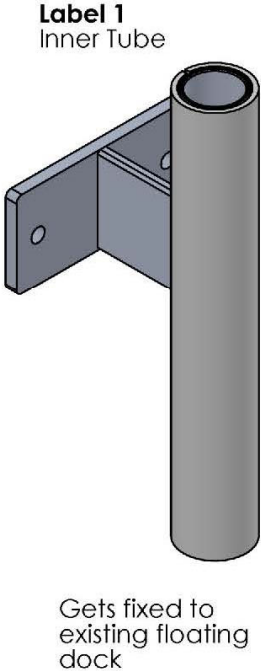
## ATTACHMENT METHOD

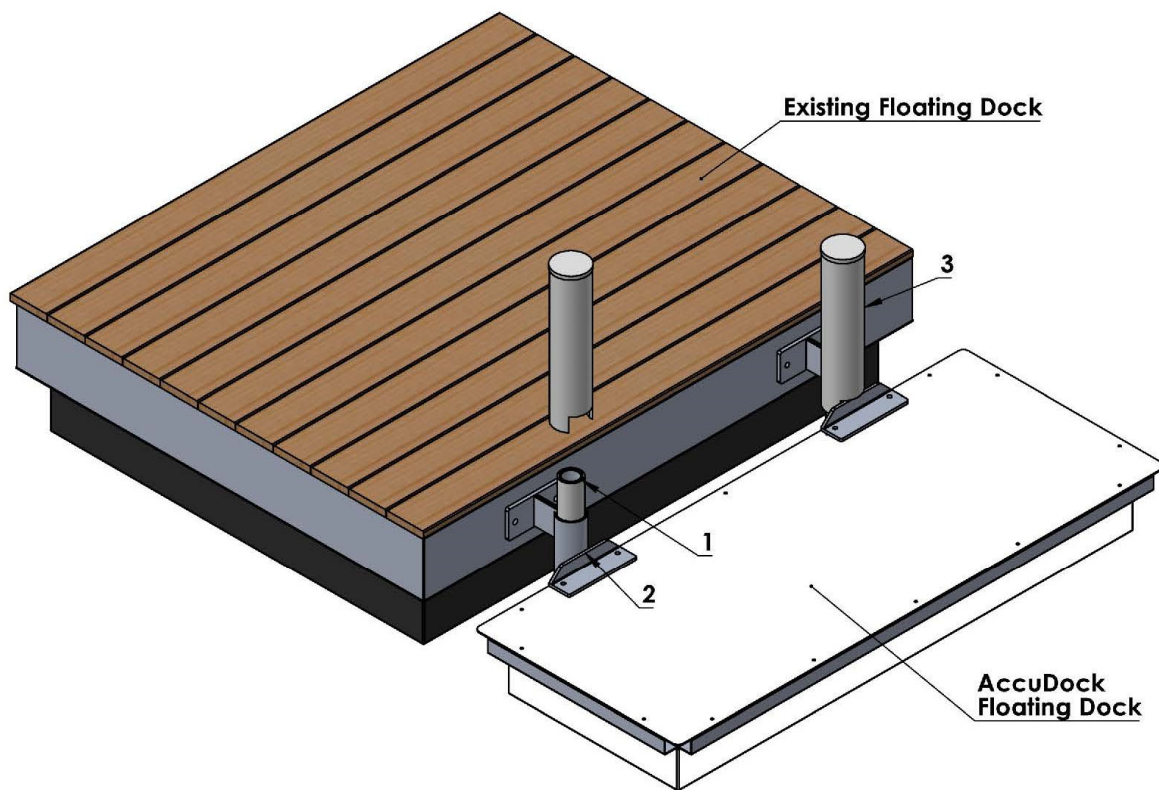


## SMALL SLIDE ASSEMBLY

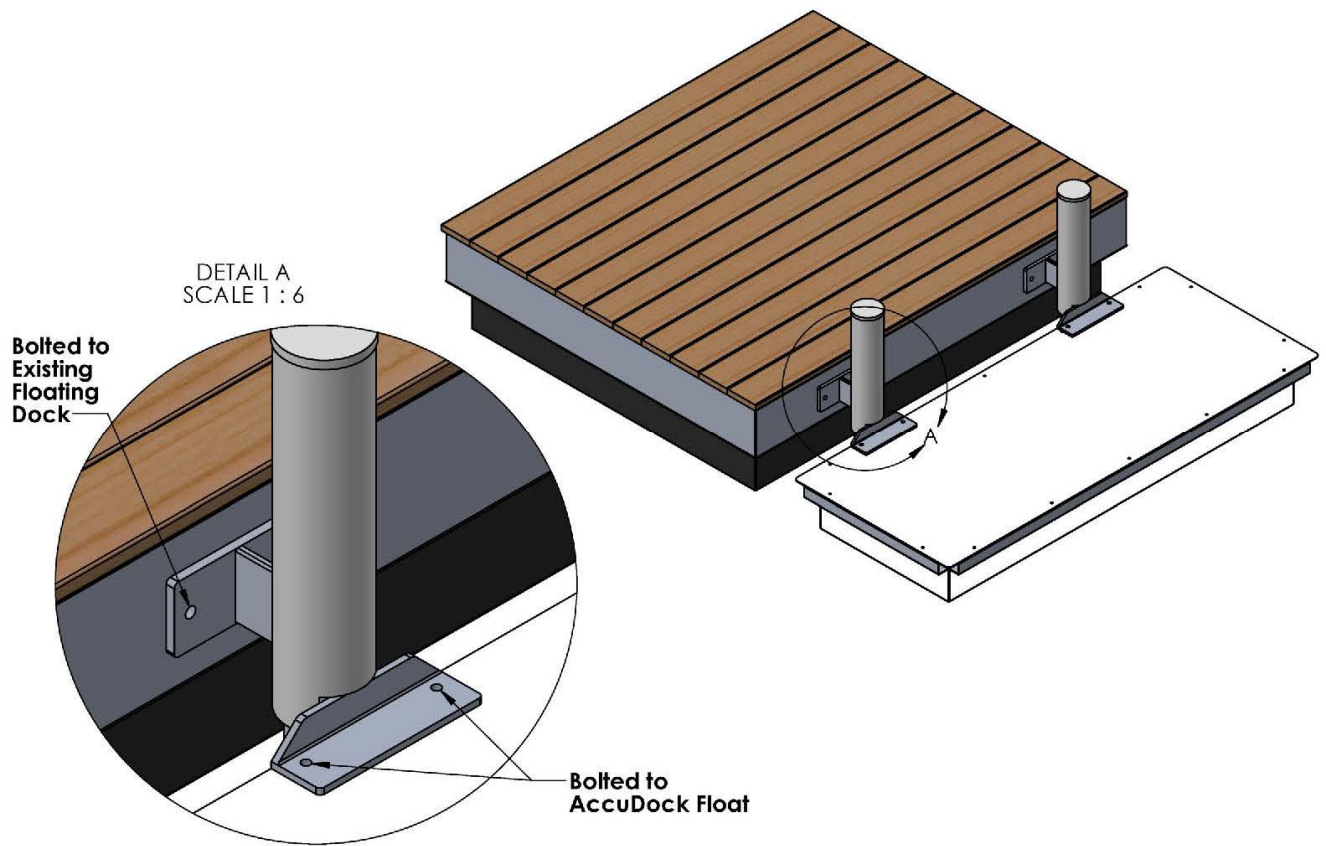
The Small Slide Assembly is a form of attachment method which allows an AccuDock Floating Dock to move independently to an existing floating dock. There are three components to a Small Slide Assembly, an inner tube, an outer tube, and a cover that slides over those tubes for aesthetic and protection.

**Small Slide Assembly Components**

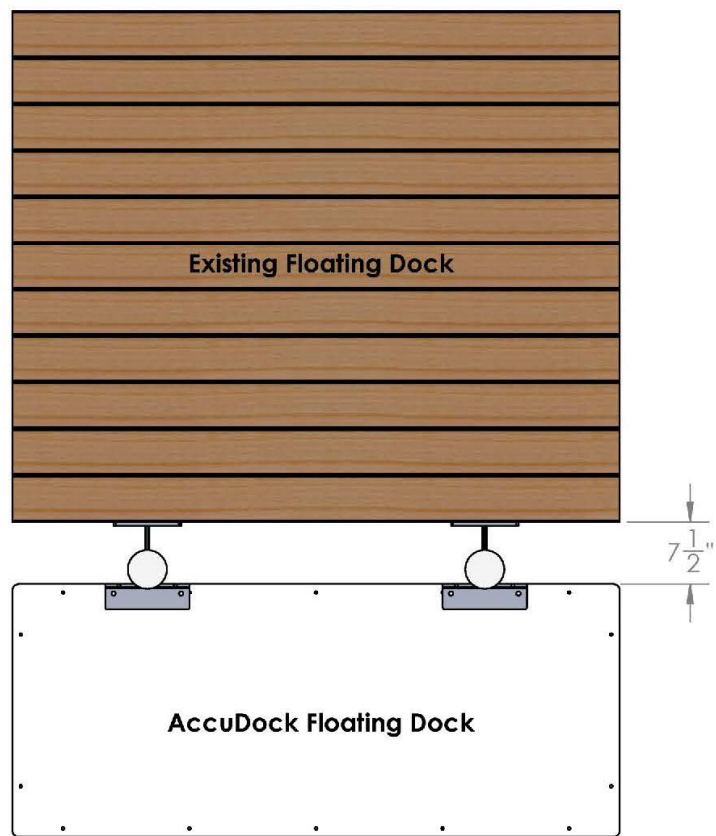




FOR QUESTIONS CALL 954.785.7557 OR  
EMAIL [INFO@ACCUDOCK.COM](mailto:INFO@ACCUDOCK.COM)



**Plan View**



FOR QUESTIONS CALL 954.785.7557 OR  
EMAIL [INFO@ACCUDOCK.COM](mailto:INFO@ACCUDOCK.COM)



FOR MORE INFORMATION CALL 954.785.7557 OR  
EMAIL [SALES@ACCUDOCK.COM](mailto:SALES@ACCUDOCK.COM)  
[WWW.ACCUDOCK.COM](http://WWW.ACCUDOCK.COM)