



## ATTACHMENT METHOD

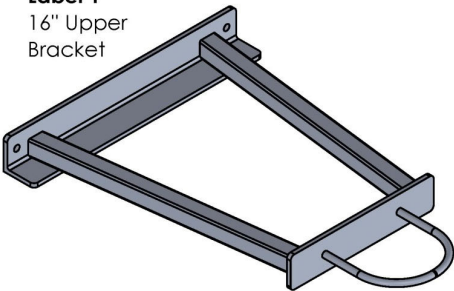


UPPER & LOWER BRACKETS

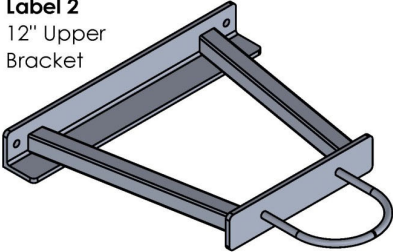
Upper and Lower Brackets allow water level fluctuation. Used as a less expensive alternative to slide assemblies or when pilings are too far apart to accommodate a more narrow dock width. Can attach to a fixed dock, pilings, or Seawall. Accommodates 4" diameter PVC pipe.

**Upper Brackets**

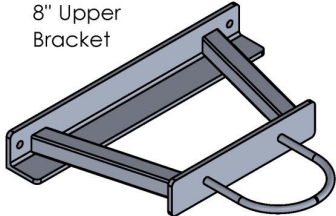
**Label 1**  
16" Upper  
Bracket



**Label 2**  
12" Upper  
Bracket

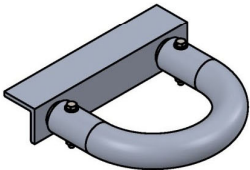


**Label 3**  
8" Upper  
Bracket

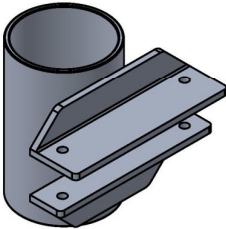


**Lower Brackets**

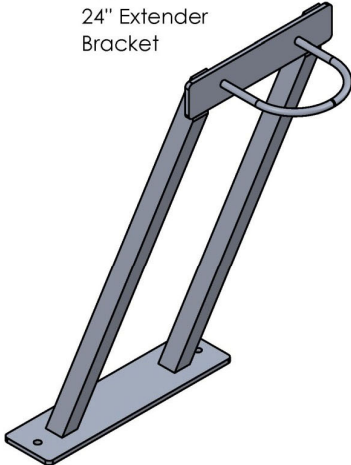
**Label 5**  
4" PVC Hoop  
Bracket

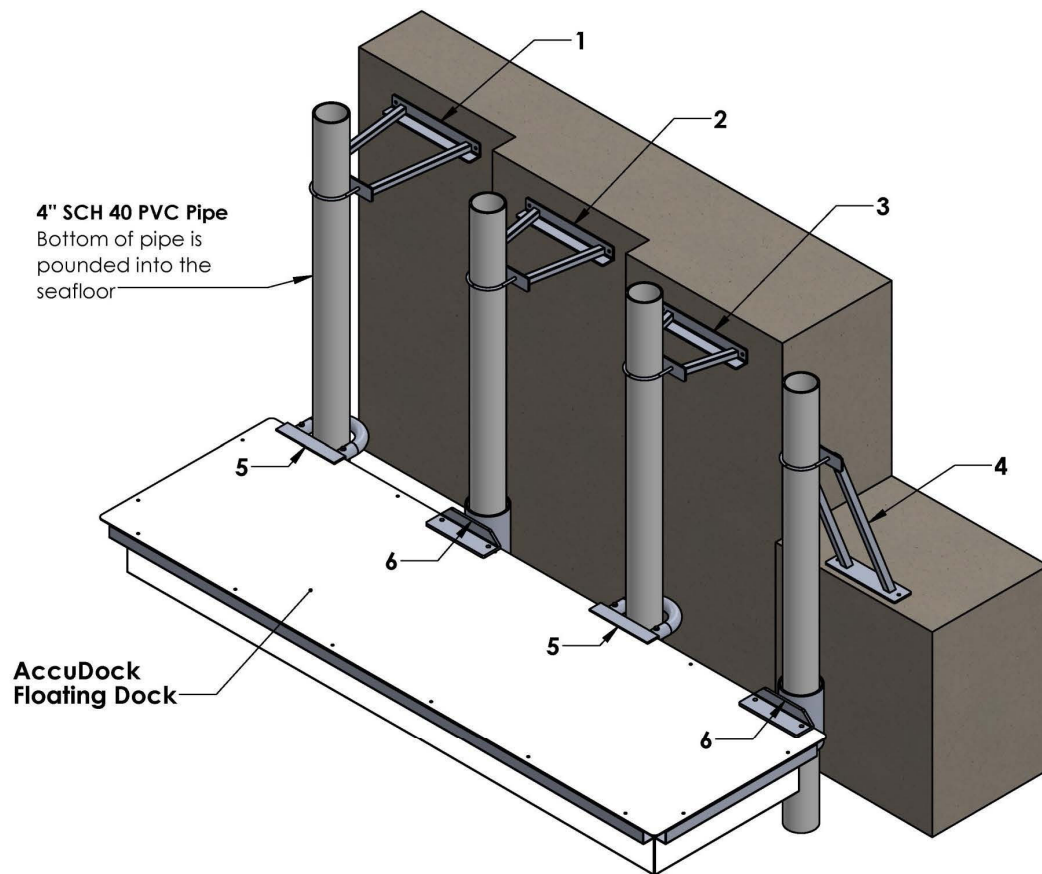


**Label 6**  
Lower Bracket

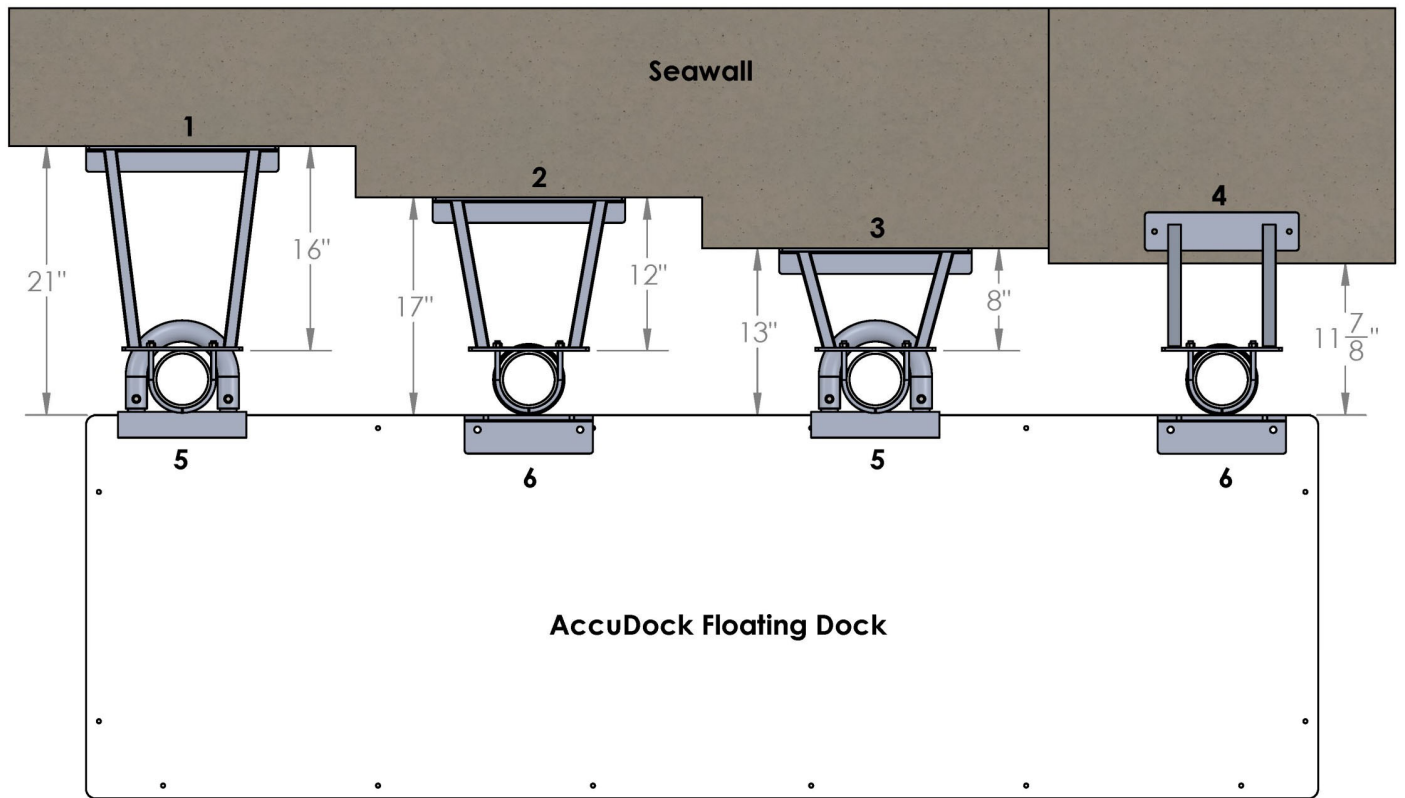


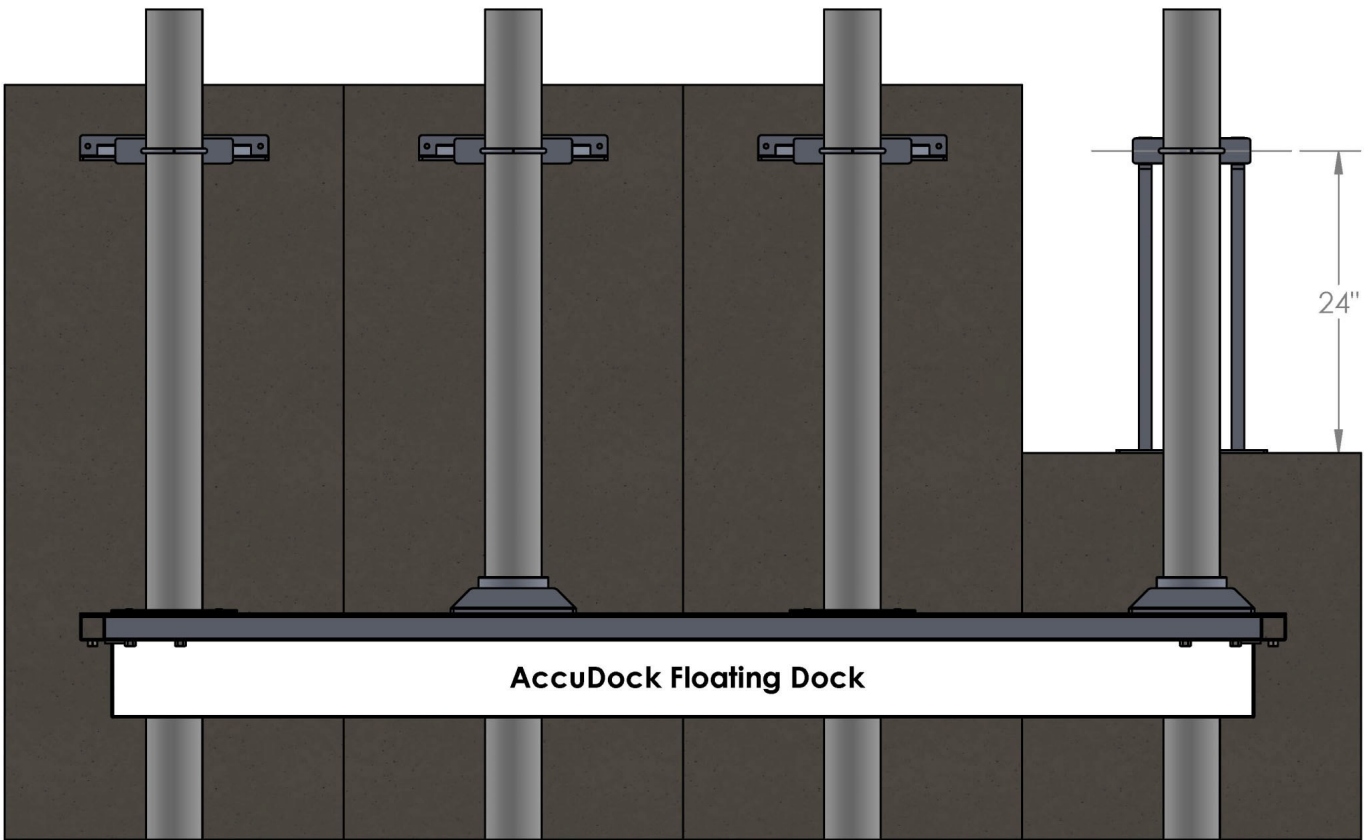
**Label 4**  
24" Extender  
Bracket





FOR QUESTIONS CALL 954.785.7557 OR  
EMAIL INFO@ACCUDOCK.COM





FOR QUESTIONS CALL 954.785.7557 OR  
EMAIL [INFO@ACCUDOCK.COM](mailto:INFO@ACCUDOCK.COM)



FOR MORE INFORMATION CALL 954.785.7557 OR  
EMAIL [SALES@ACCUDOCK.COM](mailto:SALES@ACCUDOCK.COM)  
[WWW.ACCUDOCK.COM](http://WWW.ACCUDOCK.COM)